



2013

Catalog/Catálogo/Catalogue 457604

Supercedes/Reemplaza al/Remplace 2010 457604

SKF Differential, Transfer Case & Transmission Kits

SKF de juegos de diferenciales, cajas de transferencia y equipos de transmisión

D'ensemble de différentiel, boîte de transfert et boîte de vitesses SKF



How to use this catalog

This catalog has been divided into three sections: Applications, Information and Reference

- 1.) Refer to the table of contents for page number of section that is desired.
- 2.) How to use **differential, transmission and transfer case kit passenger & light duty truck application section:**
Simply locate **1** **Manufacturer** and **model**, **2** locate **year and message**, **3** locate your **application information** and once application has been found, **4** find the **SKF kit number**. (See below)

Ford Truck Bronco	
Differential Kit 1996-1983 8.80" Ring Gear: 2 Standard Seal and Bearing Kit Rear SDK311 Master Seal and Bearing Kit Rear SDK311-MK Transfer Case Kit 1996-1992 1356 Electric Shift: Transfer Case Kit STCK1356	Transmission Kit 1 1996 4WD, M5R2 Trans Mfr Code, 5 Speed; Updated 33 Tooth 5th Gear Synchro: Light Duty Kit STK248 1992-1990 4WD, S5-42 Trans Mfr Code, 5 Speed; Includes Mainshaft Needles: Light Duty Kit STK300-ZF

- 3.) How to use **heavy duty differential & transmission kit application section:**

Heavy duty differential index

Axle model	Type/ Capacity	Message	SKF kit
Eaton model index-cont. ← 1			
Rear axle-cont. ← 2			
23430.....R-23,000	w/ CTD	 SDK219-R
23433.....R-23,000		 SDK219-R

For the **Heavy duty differential index**, simply locate the **1** **Make** and **2** **Location (Front/Rear axle)** and reading across left to right find the following sections: **3** **Axle model**, **4** **Capacity**, **5** **Message** information and find **6** **SKF differential kit**. See example on the left.

Heavy duty transmission index

Axle model	Speed	Message	SKF kit
Clark/Fuller Medium Duty Models			
Clark 5 Speed Models ← 8			
280-V.....5.....1959 & Later		 STK148
280-V0.....5.....1959 & Later		 STK148

For the **Heavy duty transmission index**, simply locate the **7** **Make** and **8** **Type of trans** and reading across left to right find the following sections: **9** **Axle model**, **10** **Trans speed**, **11** **Message** information and find **12** **SKF transmission kit**. See example on the left.

- 4.) Included for your information are: ATA/VMRS (American Trucking Association - Vehicle Maintenance Reporting Standards) numbers, seal & bearing location and nomenclature charts, transmission and differential tag identification charts, kit contents listings (light gray thumbedge for L.D. kits & black thumbedge for H.D. kits), SPEEDI-SLEEVE size listings, crush sleeve kits (reference guide & where used) and new part number reference list.
- 5.) For your reference included are: differential/transmission kit interchanges, driveshaft support bearings (illustrated buyer's guide and specifications), DL & Unitized pinion seal listings and a quick reference kit application guide.

Interchanges listed in this catalog will provide a fast conversion of manufacturer or competitor numbers to the SKF equivalent. Please note that many interchanges are made on an application basis only and may not be identical. Whenever possible refer to the application section of this catalog.

Table of contents

Applications

Passenger car, light and medium truck applications	12
Heavy duty differential index	131
Heavy duty transmission index.....	175

Information

Loose needle bearing package quantities	2
Abbreviation list	2
Differential rebuild kit—Features & benefits.....	3
Light duty differential axle identification	4
Differential gasket identification	5
Light and heavy duty new part number reference list	7
Crush sleeve kits reference guide.....	8
Crush sleeve kits where used.....	10
Light duty differential kit contents.....	39
Light duty transfer case kit contents.....	82
Light duty transmission kit contents.....	102
SPEEDI-SLEEVE installation instructions.....	108
SPEEDI-SLEEVE size listings—Inches	110
SPEEDI-SLEEVE size listings—Metric	117
ATA-Vehicle maintenance reporting standards.....	124
Heavy duty differential axle identification	126
Heavy duty differential kit contents.....	146
Heavy duty transmission axle identification.....	170
Heavy duty transmission kit contents.....	178

Reference

Differential and transmission kit interchange.....	204
Driveshaft support bearings—Features & benefits	209
Driveshaft support bearings—Illustrated buyer's guide	210
Driveshaft support bearings—Types	220
Driveshaft support bearings—Specifications	222
Driveshaft support bearings—Slinger specifications	225
DL pinion seals—Information.....	227
DL pinion seals—Interchanges.....	228
DL pinion seals—Popular applications	229
Unitized pinion seals—Interchanges and specifications.....	230
Quick reference application guide.....	231
Warranty	inside back cover

Loose needle bearing package quantities

Bearing no.	Qty. per pack.	Bearing no.	Qty. per pack.	Bearing no.	Qty. per pack.	Bearing no.	Qty. per pack.
C407-Q	52	C1086-Q	23	<input type="checkbox"/> Q8308	116	<input type="checkbox"/> QAR34604	17
C436-Q	45	B1316-Q	52	Q8371	110	QA47838	52
<input type="checkbox"/> C437-Q	61	W1518-Q	20	Q15902	14	QA48181	444
<input type="checkbox"/> S444-Q	160	<input type="checkbox"/> W1590-Q	18	<input type="checkbox"/> Q15902-F	14	<input type="checkbox"/> QBR49845	14
<input type="checkbox"/> 0513-Q	14	<input type="checkbox"/> Q6086	36	QBR23549	16		

Abbreviation list

1st..... First	Exc..... Except	OE Original Equipment
2nd..... Second	Ext..... Extension	OEM Original Equipment Manufacturer
3rd Third	F.C. Forward Control	O.H.C..... Overhead Cam
4th..... Fourth	Flg(d)..... Flange	OHV..... Overhead Valve
5th..... Fifth	Frnt..... Front	oz..... Ounce
2 W/D Two Wheel Drive	F.W.D..... Front Wheel Drive	Pass..... Passenger
4 W/D Four Wheel Drive	Gen..... Generator	P/C..... Police Car
2 W/S..... 2 Wheel Steering	Gr Gear	Pkg..... Package
4 W/S..... 4 Wheel Steering	G.V.W. Gross Vehicle Weight	Prkg..... Parking
ABS..... Anti-Lock Brake System	H.D..... Heavy Duty	Pwr Power
A/C Air Conditioning	Hi-Perf High Performance	Rev Reverse
Acsry..... Accessory	Hi-Temp High Temperature	R.H. Right Hand
Adj..... Adjustable	H.O..... High Output	Rr Rear
Aft..... After	H.P..... Horsepower	R.W.D..... Rear Wheel Drive
Alt..... Alternator	HSC..... High Swirl Combustion	SC..... Supercharged
Alum Aluminum	Hsg(s)..... Housing(s)	Sed..... Sedan
Amp Ampere	Hyd..... Hydraulic	SEFI Sequential Multi-port Fuel Injection
Assy..... Assembly	I/C..... Intercooler	Ser Series
Auto Automatic	I.D..... Inside Diameter	Ser. No..... Serial Number
Aux..... Auxiliary	Incl Includes	Sh..... Shaft
A.W.D. All Wheel Drive	Inj Injection	SOHC..... Single Overhead Cam
Bbl..... Barrel	Inn..... Inner	Spdl..... Spindle
Bef..... Before	IRS..... Independent Rear Suspension	Spd..... Speed
Brg(s)..... Bearing(s)	lb(s)..... Pounds	Specs Specifications
Brk(s)..... Brake(s)	L Litre	Sta..... Station
Carb Carburetor	L.D..... Light Duty	Std..... Standard
Cat..... Caterpillar	L.H. Left Hand	Strg Steering
cc..... Cubic Centimeter	Limo..... Limousine	T/C..... Turbo Charger
CFI..... Central Fuel Injection	LP..... Limited Production	THM..... Turbo Hydramatic
Chas..... Chassis	LPG Propane Fueled	Thru Through
Chev Chevy	Lt..... Light	Trans Transmission
Comm Commercial	Man..... Manual	Trk Truck
Comp Compressor	Med..... Medium	Turbo..... Turbocharged
C.P.S..... Center Point Steering	MFI..... Multi-port Fuel Injection	Vin..... Vehicle Identification Number
Ctr Counter	Mfr Manufacturer	VV..... Variable Venturi
Cu. In..... Cubic Inch	Misc..... Miscellaneous	w/ With
Cvr..... Cover	ml Milliliters	w/o Without
Cyl..... Cylinder	mm Millimeter	W.B. Wheel Base
Del..... Delivery	M.H.C..... Motor Home Chassis	Wgn Wagon
Dia..... Diameter	Mtg..... Mounting	Wh(s) Wheel(s)
Diff Differential	No(s) Number(s)	
DOHC..... Dual Overhead Cam	NP New Process	
D.S.O..... Domestic Special Order	NPG..... New Process Gear	
EFI..... Electronic Fuel Injection	O.D. Outside Diameter	
Eng(s)..... Engine(s)	O/D..... Overdrive	

Not sold separately

SKF Differential rebuild kits



SKF Differential rebuild kits are available as standard kits and as master kits for the higher volume rebuilders

SKF Standard rebuild kits contain:

- Pinion inner & outer bearings
- Pinion pilot bearing (where applicable)
- Differential bearings
- Pinion seal
- Pinion nut
- Crush sleeve or shims to set pinion bearing pre-load
- Sealant for the differential cover
- Gear marking compound & brush to check gear tooth contact pattern

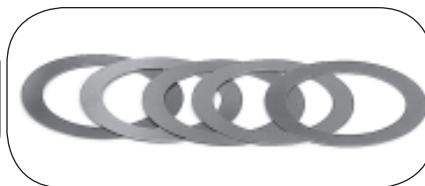
SKF Master rebuild kits contain:

Everything in an SKF Standard rebuild kit plus:

- Ring gear bolts
- Pinion adjusting shims to adjust pinion depth
- Differential shims to adjust the ring & pinion back lash & set differential bearings pre-load



Ring gear bolts



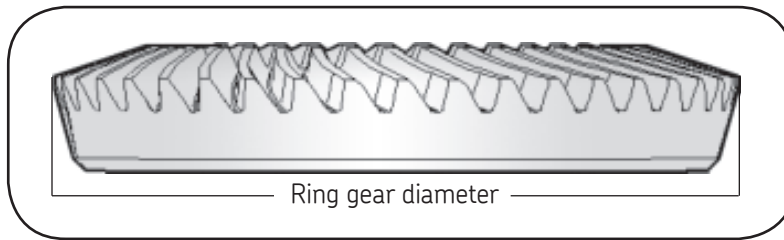
Pinion shims



Differential shims

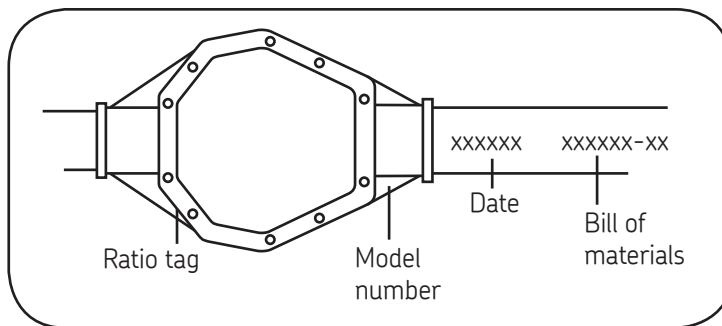
Light duty differential axle identification

Accurate axle identification is critical when ordering repair parts for rear axles in car, truck & SUV applications as well as for front axles used in four wheel drive truck & SUV applications. The axles used in each individual vehicle can vary based on vehicle options (larger engine, heavy duty chassis or towing package). Therefore, the axle must be identified prior to ordering parts.

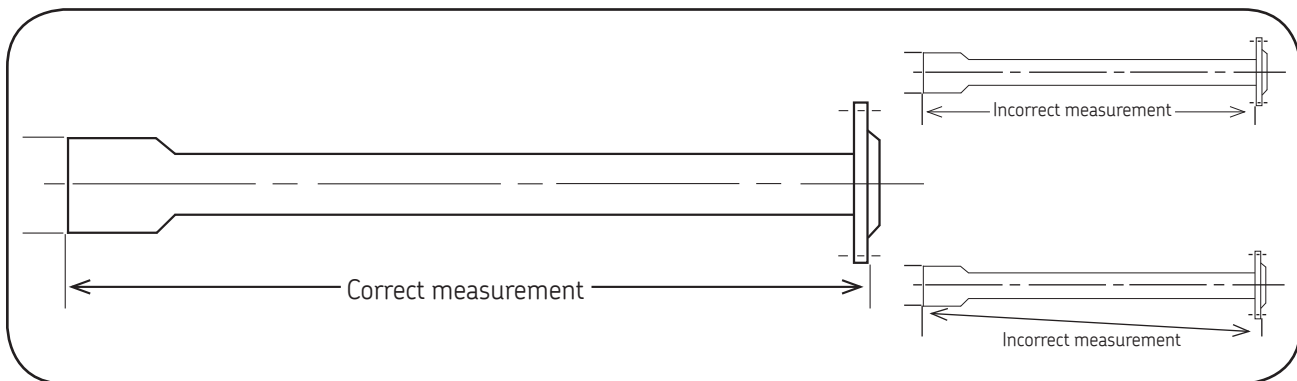


To find the ring gear diameter you need to measure the outside diameter of the ring gear.

Vehicles can be equipped with either manufacturer axles (built by the vehicle manufacturer) or Dana axles. Manufacturer axles from Chrysler, Ford & GM are identified by the ring gear diameter and are frequently referred to as a "Ford 8.8" or "GM 8.5". Ford axles may have an identification tag that specifies ring gear diameter and ratio.



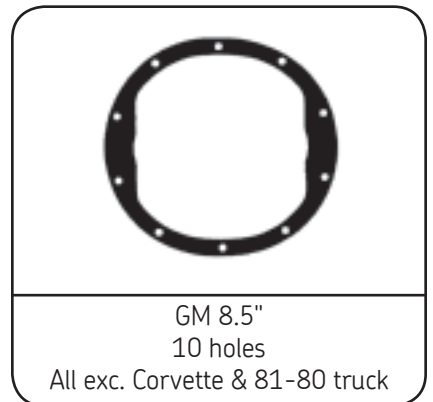
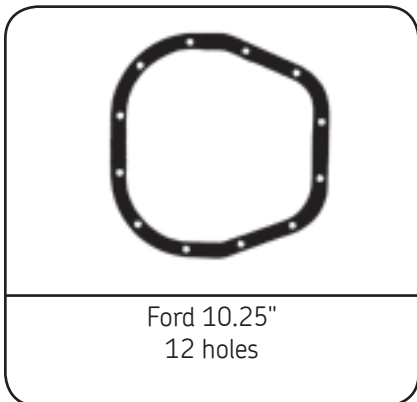
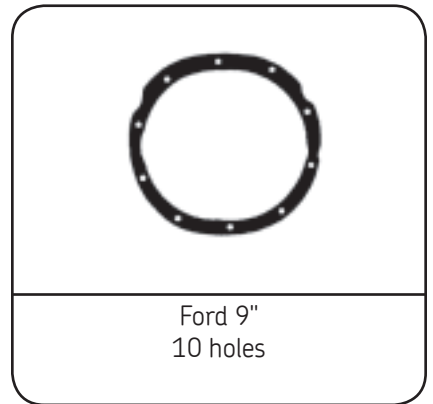
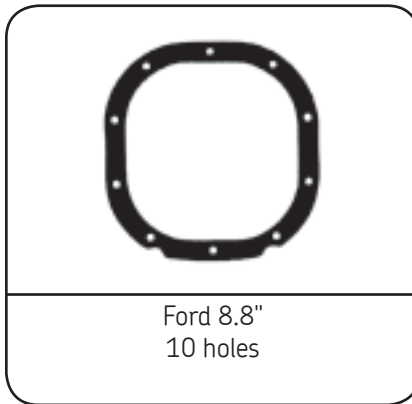
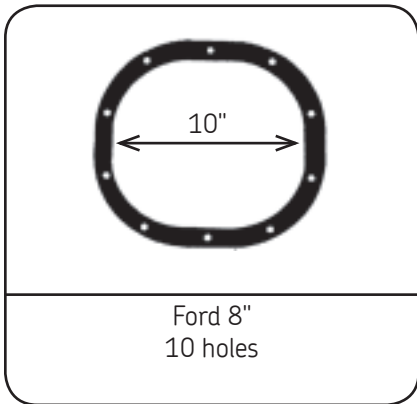
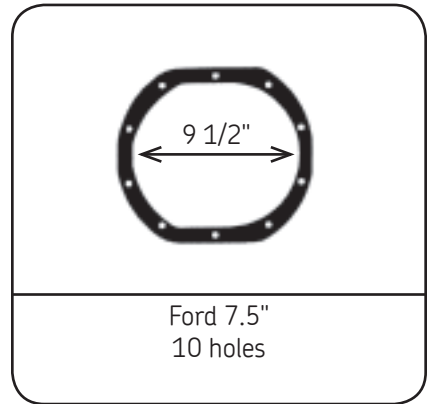
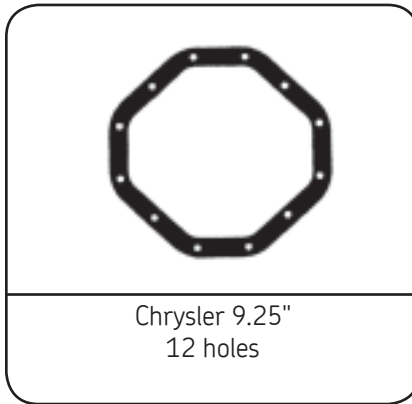
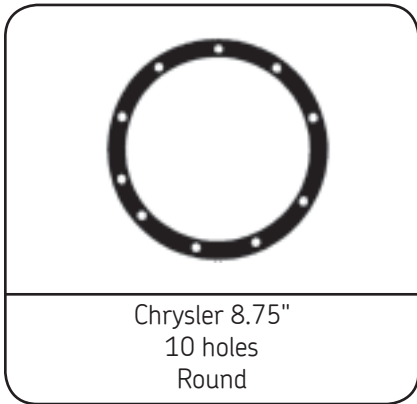
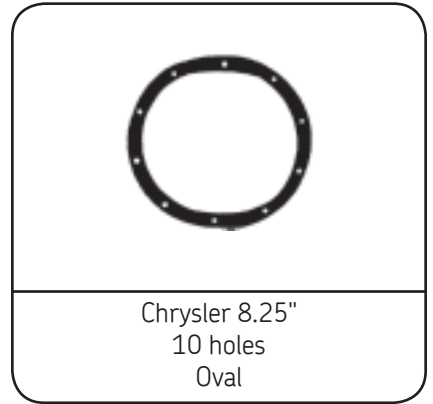
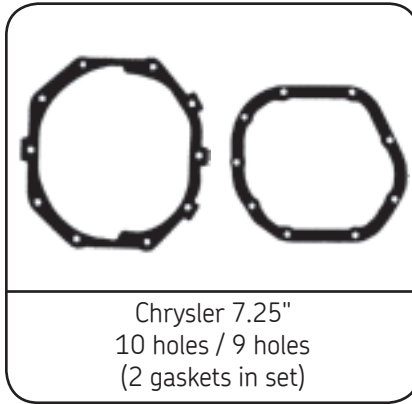
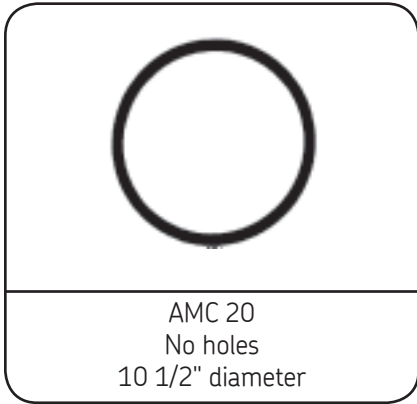
Dana axles are identified by model number. The model number (i.e. '30') is usually cast into the webbing of the axle center housing as shown in the illustration above.



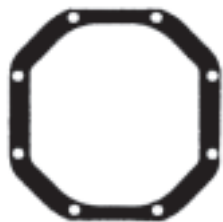
Measure the axle shaft from the outside edge of the flange to the end of the axle shaft. You must measure parallel to the axle shaft as shown above and NOT diagonally from the flange to the axle shaft end. Do NOT include the brake pilot in your measurement.

Most manufacturer axles can be easily identified by the bolt pattern on the differential cover when you have more than one axle option for your vehicle. Refer to the differential gasket illustrations on pages 5 & 6 which show the typical bolt pattern for the common manufacturer axles. You may still need to measure the ring gear diameter in order to positively identify the manufacturer axle.

Differential gasket identification



Differential gasket identification



GM 8.5" Corvette
8 holes
Corvette



GM 8.5" Truck
10 holes
Truck (81-80)



GM 8.875" Truck
12 holes
Truck



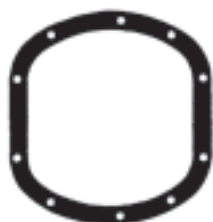
GM 8.875" Auto
12 holes
Car



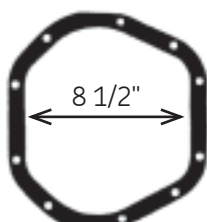
GM 9.5"
14 holes



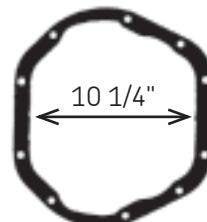
GM 10.5"
14 holes



Dana 30, 36-ICA
10 holes



Dana 44
10 holes



Dana 60, 70
10 holes
Dana 60, 70



Toyota 7.5", 8"
V6/Turbo
10 holes

New kit addition list

New SKF kit	Description	Application summary	New SKF kit	Description	Application summary
Differential			Differential—cont.		
SDK303-B	L.D. Diff	Chrysler 8.25" Differential	* SDK327-MK	L.D. Diff	AAM 11.5" Differential
* SDK303-BMK	L.D. Diff	Chrysler 8.25" Differential	SDK331-A	L.D. Diff	Dana 60 Differential
SDK304-A	L.H. Diff	Chrysler 9.25" Differential	* SDK331-AMK	L.D. Diff	Dana 60 Differential
* SDK304-AMK	L.H. Diff	Chrysler 9.25" Differential	* SDK334-MK	L.D. Diff	Dana 30AF, 30IFS Differential
SDK307	L.D. Diff	Dodge Sprinter (06-03)	SDK334-TJ	L.D. Diff	Dana 30 Differential
* SDK307-MK	L.D. Diff	Dodge Sprinter (06-03)	* SDK334-TJMK	L.D. Diff	Dana 30 Differential
SDK307-A	L.D. Diff	Dodge Sprinter (12-07)	* SDK335-MK	L.D. Diff	Dana 35IFS Differential
* SDK307-AMK	L.D. Diff	Dodge Sprinter (12-07)	SDK335-C	L.D. Diff	Dana 35 Differential
* SDK310-MK	L.D. Diff	Ford 8" Differential	* SDK335-CMK	L.D. Diff	Dana 35 Differential
SDK311-D	L.D. Diff	Ford 8.8" Differential (10-08)	* SDK337-MK	L.D. Diff	Dana 80 Differential
* SDK311-DMK	L.D. Diff	Ford 8.8" Differential (10-08)	* SDK339-AMK	L.D. Diff	Dana 44ICA Differential
SDK311-E	L.D. Diff	Ford 8.8" Differential (10-05)	* SDK339-BMK	L.D. Diff	Dana 44HDF, 44IFS Differential
* SDK311-EMK	L.D. Diff	Ford 8.8" Differential (10-05)			
SDK311-G	L.D. Diff	Ford 8.8" Differential (10-07)			
* SDK311-GMK	L.D. Diff	Ford 8.8" Differential (10-07)			
* SDK312-MK	L.D. Diff	Ford 9" Differential (70-57)			
* SDK315-MK	L.D. Diff	Ford 7.5" Differential			
SDK316-B	L.D. Diff	Ford 9.75" Differential (10-07)			
* SDK316-BMK	L.D. Diff	Ford 9.75" Differential (10-07)			
SDK317-A	L.D. Diff	Ford 10.5" Differential (10-07)			
* SDK317-AMK	L.D. Diff	Ford 10.5" Differential (10-07)			
* SDK320-AMK	L.D. Diff	GM 7.25" Differential			
SDK320-C	L.D. Diff	GM 7.5/7.6" Differential			
* SDK320-CMK	L.D. Diff	GM 7.5/7.6" Differential			
SDK320-D	L.D. Diff	GM 8" Differential			
* SDK320-DMK	L.D. Diff	GM 8" Differential			
* SDK321-AMK	L.D. Diff	GM 8.25" Differential			
SDK321-J	L.D. Diff	GM 8.25" Differential			
* SDK321-JMK	L.D. Diff	GM 8.25" Differential			
SDK321-K	L.D. Diff	GM 8.5/8.6" Differential (08-07)			
* SDK321-KMK	L.D. Diff	GM 8.5/8.6" Differential (08-07)			
SDK321-Q	L.D. Diff	GM 8.5/8.6" Differential (11-09)			
* SDK321-QMK	L.D. Diff	GM 8.5/8.6" Differential (11-09)			
* SDK323-MK	L.D. Diff	GM 8.5" Differential Corvette (79-63)			
* SDK324-MK	L.D. Diff	GM 9.5" Differential (97-81)			
* SDK324-BMK	L.D. Diff	GM 9.5" Differential (98-0n)			
* SDK325-MK	L.D. Diff	GM 10.5" Differential (88-72)			
* SDK325-BMK	L.D. Diff	GM 10.5" Differential (98-0n)			
SDK327	L.D. Diff	AAM 11.5" Differential			

L.D.=Light Duty

Diff=Differential

*=Master kit

Crush sleeve kits reference guide

Make	Ring gear	• Component product	• Component part number	Complete SKF kit number
Chrysler Chrysler	7-1/4 7-1/4	Nut Sleeve Washer	PN3 183975 (CS310) 30275	KRS111
Chrysler Chrysler	8-1/4 8-1/4	Nut Sleeve Washer	PN3 183975 (CS310) 30275	KRS111
Chrysler Chrysler	8-3/8 8-3/8	Nut Sleeve Washer	PN3 183975 (CS310) 30275	KRS111
Chrysler Chrysler	8-3/4 8-3/4	Nut Pre-Load Shim	PN8-F 183071 (SK2)	KRS112
Chrysler Chrysler	8-3/4 8-3/4	Nut Sleeve	PN8-F 183077 (CS301)	KRS113
Chrysler Chrysler	9-1/4 9-1/4	Nut Sleeve Washer	PN3 183925 (CS303) 30275	KRS114
Dana Dana	20-Jeep 20-Jeep	Nut Sleeve	PN6 183090 (CS311)	KRS115
Dana Dana	28 28	Nut Sleeve	PN8-F 183028 (CS330)	KRS116
Dana Dana	30 30	Nut Pre-Load Shim	PN8-F 183030 (SK5)	KRS117
Dana Dana	35-IFS 35-IFS	Nut Sleeve	PN6 183975 (CS310)	KRS119
Dana Dana	35 Jeep-R 35 Jeep-R	Nut Sleeve	PN6 183975 (CS310)	KRS119
Dana Dana	36-ICA 36-ICA	Nut Pre-Load Shim	PN8-F 183030 (SK5)	KRS117
Dana Dana	44-ICA 44-ICA	Nut Sleeve	PN8-F 183975 (CS310)	KRS120
Dana Dana	44 Jeep-R 44 Jeep-R	Nut Pre-Load Shim	PN8-F 183030 (SK5)	KRS117
Dana Dana	50 50	Nut Pre-Load Shim	PN8-F 183030 (SK5)	KRS117
Dana Dana	60, 70, 70U, 70UHD 60, 70, 70U, 70UHD	Nut Pre-Load Shim	PN5 SK17	KRS134
Dana Dana	80 80	Nut Pre-Load Shim	PN10 SK43	KRS135
Ford Ford	7.5 7.5	Sleeve Nut	183090 (CS311) PN2	KRS121
Ford Ford	8.0 8.0	Sleeve Nut	183975 (CS310) PN2	KRS122
Ford Ford	8.8 8.8	Sleeve Nut	183090 (CS311) PN2	KRS121
Ford Ford	9.0 9.0	Sleeve Nut	183090 (CS311) PN2	KRS121
GM GM	7.25- IFS 7.25- IFS	Nut Sleeve	PN3 183072 (CS326)	KRS123

(Continued)

• Individual components not sold separately, for OE reference only.

Crush sleeve kits reference guide

Make	Ring gear	• Component product	• Component part number	Complete SKF kit number
GM	7.5	Nut	PN3	KRS124
GM	7.5	Sleeve	183075 (CS320)	
GM	8.2	Nut	PN4	KRS125
GM	8.2	Sleeve	183075 (CS320)	
GM	8.25	Nut	PN4	KRS125
GM	8.25	Sleeve	183075 (CS320)	
GM	8.5BP	Nut	PN4	KRS125
GM	8.5BP	Sleeve	183075 (CS320)	
GM	8.5	Nut	PN3	KRS126
GM	8.5	Sleeve	183085 (CS321)	
GM	8.875- Car	Nut	PN4	KRS127
GM	8.875- Car	Sleeve	183012 (CS323)	
GM	8.875- Trk.	Nut	PN4	KRS128
GM	8.875- Trk.	Sleeve	CS322	
GM	9.25- IFS	Nut	PN3	KRS129
GM	9.25- IFS	Sleeve	CS324	
GM	9.25- R	Nut	PN3	KRS129
GM	9.25- R	Sleeve	CS324	
GM	9.5	Nut	PN3	KRS129
GM	9.5	Sleeve	CS324	
GM (88 & up)	10.5	Nut	PN7	KRS137
GM (88 & up)	10.5	Sleeve	CS325-A	
GM (88-72)	10.5	Nut	PN7	KRS136
GM (88-72)	10.5	Sleeve	CS325	
GM (79-63)	8.5 Corvette	Nut	PN4	KRS138
GM (79-63)	8.5 Corvette	Sleeve	CS323-C	
GM	Dana 36 Corvette	Nut	PN8-F	KRS117
GM	Dana 36 Corvette	Sleeve	183030 (SK5)	
Toyota	7.8- IFS	Nut	PN11	KRS132
Toyota	7.8- IFS	Crush Sleeve	CS332	
Toyota	7.8	Nut	PN9	KRS133
Toyota	7.8	Sleeve	183078 (CS331)	
Toyota	8.0	Nut	PN9	KRS133
Toyota	8.0	Sleeve	183078 (CS331)	

• Individual components not sold separately, for OE reference only.

Crush sleeve kits where used

SKF Diff kit no.	Kit applications	Crush sleeve kit no.
SDK300	Chrysler 8.75" Differentials w/1.75" pinion shaft	KRS112
SDK301	Chrysler 8.75" Differentials 2/1.875" pinion shaft	KRS113
SDK302	Chrysler 7.25" Differentials	KRS111
SDK303	Chrysler 8.25" & 8.375" Differentials	KRS111
SDK303-MK	Chrysler 8.25" & 8.375" Differentials	KRS111
SDK303-B	Chrysler 8.25" Differentials	KRS111
SDK303-BMK	Chrysler 8.25" Differentials	KRS111
SDK304	Chrysler 9.25" Differentials	KRS114
SDK304-MK	Chrysler 9.25" Differentials	KRS114
SDK304-A	Chrysler 9.25" Differentials	KRS114
SDK304-AMK	Chrysler 9.25" Differentials	KRS114
SDK310	Ford 8" Differentials	KRS122
SDK310-MK	Ford 8" Differentials	KRS122
SDK311	Ford 8.8" Differentials	KRS121
SDK311-MK	Ford 8.8" Differentials	KRS121
SDK311-J	AMC 20 Differentials	KRS115
SDK312	Ford 9" Differentials (70-57)	KRS121
SDK312-MK	Ford 9" Differentials (70-57)	KRS121
SDK313	Ford 9" Differentials (86-70)	KRS121
SDK313-MK	Ford 9" Differentials (86-70)	KRS121
SDK314	Ford 10.25" Differentials	KRS115
SDK314-MK	Ford 10.25" Differentials	KRS115
SDK315	Ford 7.5" Differentials	KRS121
SDK315-MK	Ford 7.5" Differentials	KRS121
SDK316-A	Ford 9.75" Differentials	KRS115
SDK316-AMK	Ford 9.75" Differentials	KRS115
SDK317	Ford 10.5" Differentials	KRS115
SDK317-MK	Ford 10.5" Differentials	KRS115
SDK320	GM 7.5"/7.6" Differentials	KRS124
SDK320-MK	GM 7.5"/7.6" Differentials	KRS124
SDK320-A	GM 7.25" Differentials	KRS123
SDK320-C	GM 7.5"/7.6" Differentials	KRS124
SDK320-CMK	GM 7.5"/7.6" Differentials	KRS124
SDK321	GM 8.5"/8.6" Differentials (98-Older)	KRS126
SDK321-MK	GM 8.5"/8.6" Differentials (98-Older)	KRS126
SDK321-A	GM 8.25" Differentials	KRS126
SDK321-AMK	GM 8.25" Differentials	KRS126
SDK321-C	GM 8.5"/8.6" Differentials (07-99)	KRS126
SDK321-CMK	GM 8.5"/8.6" Differentials (07-99)	KRS126
SDK321-J	GM 8.25" Differentials	KRS126
SDK321-JMK	GM 8.25" Differentials	KRS126
SDK322	GM 8-7/8" Differentials	KRS128
SDK322-MK	GM 8-7/8" Differentials	KRS128
SDK323	GM 8.5" Differentials Corvette (79-63)	KRS138
SDK323-MK	GM 8.5" Differentials Corvette (79-63)	KRS138
SDK324	GM 9.5" Differentials (97-81)	KRS129
SDK324-MK	GM 9.5" Differentials (97-81)	KRS129
SDK324-A	GM 9.25" Differentials	KRS129
SDK324-B	GM 9.5" Differentials (98-On)	KRS129
SDK325	GM 10.5" Differentials (88-72)	KRS136
SDK325-MK	GM 10.5" Differentials (88-72)	KRS136

Crush sleeve kits where used

SKF Diff kit no.	Kit applications	Crush sleeve kit no.
SDK325-A	GM 10.5" Differentials (97-88)	KRS137
SDK325-AMK	GM 10.5" Differentials (97-88)	KRS137
SDK325-B	GM 10.5" Differentials (98-0n)	KRS137
SDK325-BMK	GM 10.5" Differentials (98-0n)	KRS137
SDK331	Dana 60 Differentials	KRS134
SDK332	Dana 70 Differentials	KRS134
SDK332-A	Dana 70U Differentials	KRS134
SDK332-HD	Dana 70HD Differentials	KRS134
SDK333	Dana 28IFS Differentials	KRS116
SDK334	Dana 30AF, 30IFS Differentials	KRS117
SDK334-MK	Dana 30AF, 30IFS Differentials	KRS117
SDK335	Dana 35IFS Differentials	KRS119
SDK335-MK	Dana 35IFS Differentials	KRS119
SDK336	Dana 50IFS Differentials	KRS117
SDK337	Dana 80 Differentials	KRS135
SDK337-MK	Dana 80 Differentials	KRS135
SDK339	Dana 44ICA Differentials	KRS117
SDK339-A	Dana 44ICA Differentials	KRS120
SDK339-AMK	Dana 44ICA Differentials	KRS120
SDK339-B	Dana 44HDF, 44IFS Differentials	KRS117
SDK339-BMK	Dana 44HDF, 44IFS Differentials	KRS117

AM General Hummer

MFG./YEAR	MODEL & LOCATION	PART NO.	MFG./YEAR	MODEL & LOCATION	PART NO.
Transfer Case Kit					
2001-1992	242:				
	Transfer Case Kit	STCK242-AA			

American Motors AMX, Javelin

Differential Kit Rear					
1970 AMC 20 Axle:					
	Standard Seal & Bearing Kit	SDK311-J			

American Motors Concord, Gremlin, Hornet, Spirit

Differential Kit Rear					
1983-1980 Dana 35 Axle:					
	Standard Seal & Bearing Kit	SDK335			
	Master Seal & Bearing Kit	SDK335-MK			
1979-1970 AMC 20 Axle:					
	Standard Seal & Bearing Kit	SDK311-J			

American Motors Rambler

Differential Kit Rear					
1969 AMC 20 Axle:					
	Standard Seal & Bearing Kit	SDK311-J			

American Motors Eagle

Differential Kit Front			Differential (Cont.) Kit Rear		
1987 Dana 30 ENSP 87-1/2 Axle:			1988-1980 Dana 35 Axle:		
	Standard Seal & Bearing Kit	SDK334		Standard Seal & Bearing Kit	SDK335
	Master Seal & Bearing Kit	SDK334-MK		Master Seal & Bearing Kit	SDK335-MK

American Motors Rebel

Differential Kit Rear					
1970-1967 AMC 20 Axle:					
	Standard Seal & Bearing Kit	SDK311-J			

Buick (RWD) Electra (thru 1984), Estate Wagon, LeSabre (thru 1985), Roadmaster

Differential Kit Rear			Differential (Cont.) Kit Rear (Cont.)		
1996-1982 7.50" Ring Gear:			1989-1973 8.50" Ring Gear:		
	Standard Seal & Bearing Kit	SDK320		Standard Seal & Bearing Kit	SDK321
	Master Seal & Bearing Kit	SDK320-MK		Master Seal & Bearing Kit	SDK321-MK

Passenger cars, light & medium trucks

Buick (RWD) Apollo

MFG./YEAR	MODEL & LOCATION	PART NO.	MFG./YEAR	MODEL & LOCATION	PART NO.
Differential Kit Rear 1975-1973 8.50" Ring Gear: Standard Seal & Bearing Kit SDK321 Master Seal & Bearing Kit SDK321-MK					

Buick (RWD) Century (1981-73), Regal (thru 1987), Skylark (thru 1979)

Differential Kit Rear 1987-1982 7.50" Ring Gear: Standard Seal & Bearing Kit SDK320 Master Seal & Bearing Kit SDK320-MK 1987-1973 8.50" Ring Gear: Standard Seal & Bearing Kit SDK321 Master Seal & Bearing Kit SDK321-MK					
--	--	--	--	--	--

Buick Truck Rainier

Differential Kit Rear 2007 8.50" & 8.625" Ring Gears: Standard Seal & Bearing Kit SDK321-K Master Seal & Bearing Kit SDK321-KMK 2007-2004 8.00" Ring Gear: Standard Seal & Bearing Kit SDK320-D Master Seal & Bearing Kit SDK320-DMK			Differential (Cont.) Kit Rear (Cont.) 2006-2004 8.50" Ring Gear: Standard Seal & Bearing Kit SDK321-C Master Seal & Bearing Kit SDK321-CMK		
---	--	--	---	--	--

Cadillac (RWD) Calais, DeVille (thru 1984), Fleetwood, Fleetwood Brougham

Differential Kit Rear 1996-1994 9.50" Ring Gear: Standard Seal & Bearing Kit SDK324 Master Seal & Bearing Kit SDK324-MK 1996-1977 8.50" Ring Gear: Standard Seal & Bearing Kit SDK321 Master Seal & Bearing Kit SDK321-MK					
--	--	--	--	--	--

Cadillac Truck Escalade

Differential Kit Front 2008-1999 8.25" Ring Gear: Standard Seal & Bearing Kit SDK321-J Master Seal & Bearing Kit SDK321-JMK Kit Rear 2009 8.50" & 8.625" Ring Gears: Standard Seal & Bearing Kit SDK321-Q Master Seal & Bearing Kit SDK321-QMK 2008-2007 8.50" & 8.625" Ring Gears: Standard Seal & Bearing Kit SDK321-K Master Seal & Bearing Kit SDK321-KMK 2006-2002 8.50" Ring Gear: Standard Seal & Bearing Kit SDK321-C Master Seal & Bearing Kit SDK321-CMK			Differential (Cont.) Kit Rear (Cont.) 2000-1999 9.50" Ring Gear: Standard Seal & Bearing Kit SDK324-B Master Seal & Bearing Kit SDK324-BMK 2000-1999 8.50" Ring Gear: Standard Seal & Bearing Kit SDK321 Master Seal & Bearing Kit SDK321-MK Transfer Case Kit 2000-1999 246: Transfer Case Kit STCK246		
---	--	--	---	--	--

Chevrolet (RWD) Caprice & Impala

MFG./YEAR	MODEL & LOCATION	PART NO.	MFG./YEAR	MODEL & LOCATION	PART NO.
Differential					
Kit Rear					
1996-1978 7.50" Ring Gear:					
	Standard Seal & Bearing Kit	SDK320			
	Master Seal & Bearing Kit	SDK320-MK			
1996-1970 8.50" Ring Gear:					
	Standard Seal & Bearing Kit	SDK321			
	Master Seal & Bearing Kit	SDK321-MK			

Chevrolet (RWD) Nova

Differential					
Kit Rear					
1979-1970 8.50" Ring Gear:					
	Standard Seal & Bearing Kit	SDK321			
	Master Seal & Bearing Kit	SDK321-MK			
1972-1969 8.875" Ring Gear:					
	Standard Seal & Bearing Kit	SDK322			
	Master Seal & Bearing Kit	SDK322-MK			

Chevrolet (RWD) Camaro, Malibu (thru 1983), Monte Carlo (thru 1988)

Differential					
Kit Rear					
2002-1999 7.50" Ring Gear:					
	Standard Seal & Bearing Kit	SDK320-C			
	Master Seal & Bearing Kit	SDK320-CMK			
1998-1982 7.50" & 7.625" Ring Gears:					
	Standard Seal & Bearing Kit	SDK320			
	Master Seal & Bearing Kit	SDK320-MK			

Differential (Cont.)					
Kit Rear (Cont.)					
1987-1970 8.50" Ring Gear:					
	Standard Seal & Bearing Kit	SDK321			
	Master Seal & Bearing Kit	SDK321-MK			

Chevrolet (RWD) Corvette, Stingray

Differential					
Kit Rear					
1996-1985 Dana 44 w/Man. Trans.:					
	Standard Seal & Bearing Kit	SDK339-A			
	Master Seal & Bearing Kit	SDK339-AMK			
1987-1984 Dana 44 w/Doug Nash 4+3:					
	Standard Seal & Bearing Kit	SDK339-A			
	Master Seal & Bearing Kit	SDK339-AMK			
1982-1980 Dana 44 Axle:					
	Standard Seal & Bearing Kit	SDK339			

Differential (Cont.)					
Kit Rear (Cont.)					
1979-1963 8.50" Ring Gear:					
	Standard Seal & Bearing Kit	SDK323			
	Master Seal & Bearing Kit	SDK323-MK			

Passenger cars, light & medium trucks

Chevrolet/GMC Truck Astro/Safari, Blazer/Jimmy, Colorado/Canyon, Envoy, S10 Blazer/S15 Jimmy, S10/S15, S10/Sonoma, Sonoma, SSR, Trailblazer

MFG./YEAR	MODEL & LOCATION	PART NO.	MFG./YEAR	MODEL & LOCATION	PART NO.
Differential			Transfer Case		
Kit Front			Kit		
2005-1983	7.25" Ring Gear:		2008-2002	226:	
	Standard Seal & Bearing Kit	SDK320-A		Transfer Case Kit	STCK226
	Master Seal & Bearing Kit	SDK320-AMK	2005-1995	231:	
1979-1969	Dana 44 Axle:			Transfer Case Kit	STCK231-CC
	Standard Seal & Bearing Kit	SDK339-B	2005-1994	233 Electric Shift:	
	Master Seal & Bearing Kit	SDK339-BMK		Transfer Case Kit	STCK231-CC
Kit Rear			1993-1992	233 Electric Shift, Extended Cab:	
2011-2002	8.00" Ring Gear:			Transfer Case Kit	STCK231
	Standard Seal & Bearing Kit	SDK320-D	1993-1992	231 Extended Cab:	
	Master Seal & Bearing Kit	SDK320-DMK		Transfer Case Kit	STCK231
2009	8.50" & 8.625" Ring Gears:		1993-1992	233 Electric Shift, Standard Cab:	
	Standard Seal & Bearing Kit	SDK321-Q		Transfer Case Kit	STCK231-BB
	Master Seal & Bearing Kit	SDK321-QMK	1993-1992	231 Standard Cab:	
2009-2003	9.50" Ring Gear:			Transfer Case Kit	STCK231-BB
	Standard Seal & Bearing Kit	SDK324-B	1991-1989	231:	
	Master Seal & Bearing Kit	SDK324-BMK		Transfer Case Kit	STCK231
2008-2007	8.50" & 8.625" Ring Gears:		1988-1983	207:	
	Standard Seal & Bearing Kit	SDK321-K		Transfer Case Kit	STCK207
	Master Seal & Bearing Kit	SDK321-KMK	Transmission		
2006-1999	8.50" Ring Gear:		Kit		
	Standard Seal & Bearing Kit	SDK321-C	2004-1996	RWD & 4WD w/ 5 Spd. NV3500 &	
	Master Seal & Bearing Kit	SDK321-CMK		NV3500/M50 Trans. w/ 1.180" I.D. C/S Brgs.:	
2005-1999	7.50" Ring Gear:			Light Duty Kit	STK235-B
	Standard Seal & Bearing Kit	SDK320-C	1995	4WD, NV3500/M50 Trans Mfr Code, 5 Speed;	
	Master Seal & Bearing Kit	SDK320-CMK		Getrag 3rd Design (Standard Ball IS &	
1998-1982	7.50" Ring Gear:			O/SBrGs. And 3 Pc. 1-2 Synchro Rings):	
	Standard Seal & Bearing Kit	SDK320		Light Duty Kit	STK235-B
	Master Seal & Bearing Kit	SDK320-MK			

Chevrolet/GMC Truck Caballero

Differential		
Kit Rear		
1987-1982	7.50" Ring Gear:	
	Standard Seal & Bearing Kit	SDK320
	Master Seal & Bearing Kit	SDK320-MK
1987-1978	8.50" Ring Gear:	
	Standard Seal & Bearing Kit	SDK321
	Master Seal & Bearing Kit	SDK321-MK

Chevrolet/GMC Truck Full Size Vans, Beauville, Caravan, Chevy Van, Express/Savana, Gaucho, GMC Van, Gypsy, 1/2 ton van, G10, G15, G1500, 3/4 ton van, G20, G25, G2500, 1 ton van, G30, G35, G3500

Differential	Differential (Cont.)
Kit Front	Kit Rear (Cont.)
2008-2003	7.25" Ring Gear:
	Standard Seal & Bearing Kit
	Master Seal & Bearing Kit
2010-2009	8.50" & 8.625" Ring Gears:
	Standard Seal & Bearing Kit
	Master Seal & Bearing Kit
2008-2007	8.50" & 8.625" Ring Gears:
	Standard Seal & Bearing Kit
	Master Seal & Bearing Kit
2008-2001	11.50" Ring Gear:
	Standard Seal & Bearing Kit
	Master Seal & Bearing Kit
	(Continued)

Chevrolet/GMC Truck Full Size Vans, Beauville, Caravan, Chevy Van, Express/Savana, Gaucho, GMC Van, Gypsy, 1/2 ton van, G10, G15, G1500, 3/4 ton van, G20, G25, G2500, 1 ton van, G30, G35, G3500 -- (Cont.)

MFG./YEAR	MODEL & LOCATION	PART NO.	MFG./YEAR	MODEL & LOCATION	PART NO.
Differential (Cont.)			Transmission		
Kit Rear (Cont.)			Kit		
2008-1998	Express 1500 & Savana 1500 w/ 9.50" Ring Gear:		1987-1986	RWD, CH465/MC9 Trans Mfr Code, 4 Speed; 10 Bolt Side Cover, Case 10-5/8" Long Overall:	
	Standard Seal & Bearing Kit	SDK324-B		Light Duty Kit	STK157
	Master Seal & Bearing Kit	SDK324-BMK	1981-1976	RWD, CH465/MC9 Trans Mfr Code, 4 Speed; 10 Bolt Side Cover, Case 10-5/8" Long Overall:	
2008-1998	10.50" Ring Gear:			Light Duty Kit	STK157
	Standard Seal & Bearing Kit	SDK325-B	1974-1971	4WD, SM465/M21 Trans Mfr Code, 4 Speed; 10 Bolt Side Cover, Case 10-5/8" Long Overall:	
	Master Seal & Bearing Kit	SDK325-BMK		Light Duty Kit	STK157
2006-1999	8.50" Ring Gear:			Light Duty Kit	STK157
	Standard Seal & Bearing Kit	SDK321-C	1974-1971	4WD, SM465/M20 Trans Mfr Code, 4 Speed; 10 Bolt Side Cover, Case 10-5/8" Long Overall:	
	Master Seal & Bearing Kit	SDK321-CMK		Light Duty Kit	STK157
1998-1977	8.50" Ring Gear:		1974-1971	RWD, CH465/MC9 Trans Mfr Code, 4 Speed; 10 Bolt Side Cover, Case 10-5/8" Long Overall:	
	Standard Seal & Bearing Kit	SDK321		Light Duty Kit	STK157
	Master Seal & Bearing Kit	SDK321-MK	1972-1967	RWD, NP435 Trans Mfr Code, 4 Speed; With Taper I/S Brg.:	
1997-1988	10.50" Ring Gear 2nd Design:			Light Duty Kit	STK127
	Standard Seal & Bearing Kit	SDK325-A	1972-1967	4WD, NP435 Trans Mfr Code, 4 Speed; With Taper I/S Brg.:	
	Master Seal & Bearing Kit	SDK325-AMK		Light Duty Kit	STK127
1997-1980	9.50" Ring Gear:		1972-1967	4WD, NP435 Trans Mfr Code, 4 Speed; With Ball I/S Brg.:	
	Standard Seal & Bearing Kit	SDK324		Light Duty Kit	STK127-G
	Master Seal & Bearing Kit	SDK324-MK	1972-1967	RWD, NP435 Trans Mfr Code, 4 Speed; With Ball I/S Brg.:	
1991-1980	Dana 60 Axle:			Light Duty Kit	STK127-G
	Standard Seal & Bearing Kit	SDK331		Light Duty Kit	STK127-G
1988-1973	10.50" 1st Design Ring Gear:			Light Duty Kit	STK127-G
	Standard Seal & Bearing Kit	SDK325		Light Duty Kit	STK127-G
	Master Seal & Bearing Kit	SDK325-MK		Light Duty Kit	STK127-G
1981-1964	8.875" Ring Gear:			Light Duty Kit	STK127-G
	Standard Seal & Bearing Kit	SDK322		Light Duty Kit	STK127-G
	Master Seal & Bearing Kit	SDK322-MK		Light Duty Kit	STK127-G

Chevrolet/GMC Truck 1/2 ton, 1500 (C series), 1500 (K series), 1500 (R series), 1500 (V series), Avalanche, Blazer/Jimmy, Denali, K5 Blazer/K5 Jimmy, Silverado/Sierra, Suburban 1500, Tahoe/Yukon, C10/C15, K10/K15, P10/P15

Differential		Differential (Cont.)	
Kit Front		Kit Rear (Cont.)	
2008-1998	8.25" Ring Gear:	2008-2007	8.50" & 8.625" Ring Gears:
	Standard Seal & Bearing Kit		Standard Seal & Bearing Kit
	Master Seal & Bearing Kit		Master Seal & Bearing Kit
1997-1988	8.25" Ring Gear:	2006-2000	8.50" & 8.625" Ring Gears:
	Standard Seal & Bearing Kit		Standard Seal & Bearing Kit
	Master Seal & Bearing Kit		Master Seal & Bearing Kit
1991-1977	8.50" Ring Gear:	1999	Rr. Drum Brks. & 8.50" Ring Gear:
	Standard Seal & Bearing Kit		Standard Seal & Bearing Kit
	Master Seal & Bearing Kit		Master Seal & Bearing Kit
1980-1969	Dana 44 Axle:	1999	Rr. Disc Brks., 8.50" & 8.625" Ring Gears:
	Standard Seal & Bearing Kit		Standard Seal & Bearing Kit
	Master Seal & Bearing Kit		Master Seal & Bearing Kit
Kit Rear		1998-1971	8.50" Ring Gear:
2011-2009	8.50" & 8.625" Ring Gears:		Standard Seal & Bearing Kit
	Standard Seal & Bearing Kit		Master Seal & Bearing Kit
	Master Seal & Bearing Kit	1997-1988	9.50" Ring Gear:
2011-1998	9.50" Ring Gear:		Standard Seal & Bearing Kit
	Standard Seal & Bearing Kit		Master Seal & Bearing Kit
	Master Seal & Bearing Kit		

(Continued)

Passenger cars, light & medium trucks

(Cont.) -- Chevrolet/GMC Truck 1/2 ton, 1500 (C series), 1500 (K series), 1500 (R series), 1500 (V series), Avalanche, Blazer/Jimmy, Denali, K5 Blazer/K5 Jimmy, Silverado/Sierra, Suburban 1500, Tahoe/Yukon, C10/C15, K10/K15, P10/P15

MFG./YEAR	MODEL & LOCATION	PART NO.	MFG./YEAR	MODEL & LOCATION	PART NO.
Differential (Cont.)			Transmission (Cont.)		
Kit Rear (Cont.)			Kit (Cont.)		
1988	10.50" 1st Design Ring Gear:		1996	4WD, 5LM60/MG5 Trans Mfr Code, 5 Speed; Getrag 3rd Design (Standard Ball I/S & O/S Brgs.):	
	Standard Seal & Bearing Kit	SDK325		Light Duty Kit	STK235-B
	Master Seal & Bearing Kit	SDK325-MK	1996	4WD, NV3500/M50 Trans Mfr Code, 5 Speed:	
1988	10.50" 2nd Design Ring Gear:			Light Duty Kit	STK235-B
	Standard Seal & Bearing Kit	SDK325-A	1996-1995	4WD, NV3500/MG5 Trans Mfr Code, 5 Speed:	
	Master Seal & Bearing Kit	SDK325-AMK		Light Duty Kit	STK235-B
1982-1964	8.875" Ring Gear:		1995	4WD, NV3500/MG5 Trans Mfr Code, 5 Speed; Getrag 3rd Design (Standard Ball I/S & O/S Brgs. And 3 Pc. 1-2 Synchro Rings):	
	Standard Seal & Bearing Kit	SDK322		Light Duty Kit	STK235-B
	Master Seal & Bearing Kit	SDK322-MK	1995	4WD, NV4500/MW3 Trans Mfr Code, 5 Speed:	
1981-1980	8.75" Ring Gear:			Light Duty Kit	STK4500-GM
	Standard Seal & Bearing Kit	SDK323	1995-1992	4WD, NV3500/MG5 Trans Mfr Code, 5 Speed; Getrag 3rd Design (Standard Ball I/S & O/S Brgs.):	
	Master Seal & Bearing Kit	SDK323-MK		Light Duty Kit	STK235-B
1972-1967	Dana 44 Axle:		1994-1993	4WD, MT8 Trans Mfr Code, 5 Speed:	
	Standard Seal & Bearing Kit	SDK339-B		Light Duty Kit	STK4500-GM
	Master Seal & Bearing Kit	SDK339-BMK	1994-1992	4WD, NV3500/MG5 Trans Mfr Code, 5 Speed; Getrag 2nd Design (3 Pc. I/S & Standard Ball O/S Brgs.):	
Transfer Case				Light Duty Kit	STK235-B
Kit			1992	4WD, 5LM60/MY2 Trans Mfr Code, 5 Speed; Getrag 3rd Design (Standard Ball I/S & O/S Brgs.):	
2007-1998	246:			Light Duty Kit	STK235-B
	Transfer Case Kit	STCK246	1992-1991	4WD, 5LM60/MG5 Trans Mfr Code, 5 Speed; Getrag 2nd Design (3 Pc. I/S & Standard Ball O/S Brgs.):	
2006-2001	261HD Heavy Duty:			Light Duty Kit	STK235-B
	Transfer Case Kit	STCK261-AA	1992-1991	4WD, 5LM60/MY2 Trans Mfr Code, 5 Speed; Getrag 2nd Design (3 Pc. I/S & Standard Ball O/S Brgs.):	
2006-1999	261:			Light Duty Kit	STK235-B
	Transfer Case Kit	STCK261	1991	4WD, MG5 Trans Mfr Code, 5 Speed; Getrag 2nd Design (3 Pc. I/S & Standard Ball O/S Brgs.):	
2000-1995	241:			Light Duty Kit	STK235-B
	Transfer Case Kit	STCK241-BB	1990	4WD, SM465/M20 Trans Mfr Code, 4 Speed; Contains M1305GGTV & R1563TAV Front C/S Brg.:	
1999-1994	241 w/ 6010N I/S Brg:			Light Duty Kit	STK157
	Transfer Case Kit	STCK241-BB	1990-1982	4WD, SM465/M20 Trans Mfr Code, 4 Speed; 10 Bolt Side Cover, Case 10-5/8" Long Overall:	
1999-1991	243 Electric Shift:			Light Duty Kit	STK157
	Transfer Case Kit	STCK241-BB	1988	RWD, CH465/MC9 Trans Mfr Code, 4 Speed; 10 Bolt Side Cover, Case 10-5/8" Long Overall:	
1994-1988	241:			Light Duty Kit	STK157
	Transfer Case Kit	STCK241			(Continued)
1988-1981	New Process 208:				
	Transfer Case Kit	STCK208			
1980-1969	205 w/ 6307N Input Bearing:				
	Transfer Case Kit	STCK205-G			
1980-1969	205 w/ 6210N Input Bearing:				
	Transfer Case Kit	STCK205-GDM4			
Transmission					
Kit					
2007-2006	4WD, MG5 Trans Mfr Code, 5 Speed; Getrag 3rd Design (Standard Ball I/S & O/S Brgs.) & 1.180 ID C/S Brgs.:				
	Light Duty Kit	STK235-B			
2005-2004	RWD, NV3500 Trans Mfr Code, 5 Speed; Getrag 3rd Design (Standard Ball I/S & O/S Brgs.) & 1.180 ID C/S Brgs.:				
	Light Duty Kit	STK235-B			
2003-1996	4WD, NV3500/MG5 Trans Mfr Code, 5 Speed; Getrag 3rd Design (Standard Ball I/S & O/S Brgs.):				
	Light Duty Kit	STK235-B			
1998-1996	4WD, NV3500/M50 Trans Mfr Code, 5 Speed; Getrag 3rd Design (Standard Ball I/S & O/S Brgs.) & 1.180 ID C/S Brgs.:				
	Light Duty Kit	STK235-B			

Passenger cars, light & medium trucks

Chevrolet/GMC Truck 1/2 ton, 1500 (C series), 1500 (K series), 1500 (R series), 1500 (V series), Avalanche, Blazer/Jimmy, Denali, K5 Blazer/K5 Jimmy, Silverado/Sierra, Suburban 1500, Tahoe/Yukon, C10/C15, K10/K15, P10/P15 -- (Cont.)

MFG./YEAR	MODEL & LOCATION	PART NO.	MFG./YEAR	MODEL & LOCATION	PART NO.
Transmission (Cont.)			Transmission (Cont.)		
Kit (Cont.)			Kit (Cont.)		
1988-1982	4WD, SM465/M20 Trans Mfr Code, 4 Speed; Contains M1305GGTV & R1563TAV Front C/S Brg.:		1974-1968	RWD, CH465/MC9 Trans Mfr Code, 4 Speed; Contains M1305GGTV & R1563TAV Front C/S Brg.:	
	Light Duty Kit	STK157		Light Duty Kit	STK157
1981-1978	RWD, CH465/MC9 Trans Mfr Code, 4 Speed; Contains M1305GGTV & R1563TAV Front C/S Brg.:		1974-1968	4WD, SM465/M21 Trans Mfr Code, 4 Speed; Contains M1305GGTV & R1563TAV Front C/S Brg.:	
	Light Duty Kit	STK157		Light Duty Kit	STK157
1981-1978	RWD, CH465/MC9 Trans Mfr Code, 4 Speed; 10 Bolt Side Cover, Case 10-5/8" Long Overall:		1972-1967	4WD, NP435 Trans Mfr Code, 4 Speed; With Taper I/S Brg.:	
	Light Duty Kit	STK157		Light Duty Kit	STK127
1977-1968	4WD, SM465/M20 Trans Mfr Code, 4 Speed; Contains M1305GGTV & R1563TAV Front C/S Brg.:		1972-1967	4WD, NP435 Trans Mfr Code, 4 Speed; With Ball I/S Brg.:	
	Light Duty Kit	STK157		Light Duty Kit	STK127-G
1977-1968	4WD, SM465/M20 Trans Mfr Code, 4 Speed; 10 Bolt Side Cover, Case 10-5/8" Long Overall:		1972-1967	4WD, NP435 Trans Mfr Code, 4 Speed; With Ball I/S Brg.:	
	Light Duty Kit	STK157		Light Duty Kit	STK127-G
1974-1968	4WD, SM465/M21 Trans Mfr Code, 4 Speed; 10 Bolt Side Cover, Case 10-5/8" Long Overall:				
	Light Duty Kit	STK157			
1974-1968	RWD, CH465/MC9 Trans Mfr Code, 4 Speed; 10 Bolt Side Cover, Case 10-5/8" Long Overall:				
	Light Duty Kit	STK157			

Chevrolet/GMC Truck 3/4 ton, 2500 (C series), 2500 (K series), 2500 (R series), 2500 (V series), Avalanche, Silverado/Sierra, Suburban 2500/Yukon XL, C20/C25, K20/K25, P20/P25, Yukon XL

Differential		Differential (Cont.)	
Kit Front		Kit Rear (Cont.)	
1997-1988	9.25" Ring Gear: Standard Seal & Bearing Kit	1997-1988	10.50" 2nd Design Ring Gear: Standard Seal & Bearing Kit
	SDK324-A		SDK325-A
1991-1977	8.50" Ring Gear: Standard Seal & Bearing Kit		Master Seal & Bearing Kit
	SDK321		SDK325-AMK
	Master Seal & Bearing Kit	1997-1980	9.50" Ring Gear: Standard Seal & Bearing Kit
	SDK321-MK		SDK324
1980-1968	Dana 44 Axle: Standard Seal & Bearing Kit		Master Seal & Bearing Kit
	SDK339-B		SDK324-MK
	Master Seal & Bearing Kit	1988-1973	10.50" 1st Design Ring Gear: Standard Seal & Bearing Kit
	SDK339-BMK		SDK325
			Master Seal & Bearing Kit
			SDK325-MK
2011-2009	8.50" & 8.625" Ring Gears: Standard Seal & Bearing Kit	1981-1980	8.50" Ring Gear: Standard Seal & Bearing Kit
	SDK321-Q		SDK323
	Master Seal & Bearing Kit		Master Seal & Bearing Kit
	SDK321-QMK		SDK323-MK
2011-2001	11.50" Ring Gear: Standard Seal & Bearing Kit	1981-1969	8.875" Ring Gear: Standard Seal & Bearing Kit
	SDK327		SDK322
	Master Seal & Bearing Kit		Master Seal & Bearing Kit
	SDK327-MK		SDK322-MK
2011-1998	9.50" Ring Gear: Standard Seal & Bearing Kit	1972-1967	Dana 60 Axle: Standard Seal & Bearing Kit
	SDK324-B		SDK331
	Master Seal & Bearing Kit		(Continued)
	SDK324-BMK		
2011-1998	10.50" Ring Gear: Standard Seal & Bearing Kit		
	SDK325-B		
	Master Seal & Bearing Kit		
	SDK325-BMK		

Passenger cars, light & medium trucks

(Cont.) -- Chevrolet/GMC Truck 3/4 ton, 2500 (C series), 2500 (K series), 2500 (R series), 2500 (V series), Avalanche, Silverado/Sierra, Suburban 2500/Yukon XL, C20/C25, K20/K25, P20/P25, Yukon XL

MFG./YEAR	MODEL & LOCATION	PART NO.	MFG./YEAR	MODEL & LOCATION	PART NO.
Transfer Case Kit			Transmission (Cont.) Kit (Cont.)		
2007-1998	246:		1990-1982	4WD, SM465/M20 Trans Mfr Code, 4 Speed;	
	Transfer Case Kit	STCK246		10 Bolt Side Cover, Case 10-5/8" Long Overall:	
2005-2001	261SHD Super Heavy Duty:			Light Duty Kit	STK157
	Transfer Case Kit	STCK261-BB	1988	RWD, CH465/MC9 Trans Mfr Code, 4 Speed;	
2005-2001	263SHD Super Heavy Duty:			10 Bolt Side Cover, Case 10-5/8" Long Overall:	
	Transfer Case Kit	STCK261-BB		Light Duty Kit	STK157
2005-1999	261HD Heavy Duty:		1988-1987	4WD, SM465/M20 Trans Mfr Code, 4 Speed;	
	Transfer Case Kit	STCK261-AA		Contains M1305GGTV & R1563TAV Front C/S	
2005-1999	263HD Heavy Duty:			Brg.:	
	Transfer Case Kit	STCK261-AA		Light Duty Kit	STK157
2000-1999	261:		1984-1982	4WD, SM465/M20 Trans Mfr Code, 4 Speed;	
	Transfer Case Kit	STCK261		Contains M1305GGTV & R1563TAV Front C/S	
1999-1994	241 w/ 6010N I/S Brg:			Brg.:	
	Transfer Case Kit	STCK241-BB		Light Duty Kit	STK157
1999-1991	243 Electric Shift:		1981-1978	RWD, CH465/MC9 Trans Mfr Code, 4 Speed;	
	Transfer Case Kit	STCK241-BB		10 Bolt Side Cover, Case 10-5/8" Long Overall:	
1994-1988	241 w/ BD50-8 I/S Brg:			Light Duty Kit	STK157
	Transfer Case Kit	STCK241	1981-1978	RWD, CH465/MC9 Trans Mfr Code, 4 Speed;	
1980-1970	205 w/ 6307N Input Bearing:			Contains M1305GGTV & R1563TAV Front C/S	
	Transfer Case Kit	STCK205-G		Brg.:	
1980-1970	205 w/ 6210N Input Bearing:			Light Duty Kit	STK157
	Transfer Case Kit	STCK205-GDM4	1977-1968	4WD, SM465/M20 Trans Mfr Code, 4 Speed;	
				Contains M1305GGTV & R1563TAV Front C/S	
				Brg.:	
				Light Duty Kit	STK157
			1977-1968	4WD, SM465/M20 Trans Mfr Code, 4 Speed;	
				10 Bolt Side Cover, Case 10-5/8" Long Overall:	
				Light Duty Kit	STK157
			1974-1968	4WD, SM465/M21 Trans Mfr Code, 4 Speed;	
				10 Bolt Side Cover, Case 10-5/8" Long Overall:	
				Light Duty Kit	STK157
			1974-1968	4WD, NV3500/MG5 Trans Mfr Code, 5 Speed;	
				Getrag 3rd Design (Standard Ball I/S & O/S	
				Brgs.):	
				Light Duty Kit	STK235-B
			1998-1996	4WD, NV3500/M50 Trans Mfr Code, 5 Speed;	
				Getrag 3rd Design (Standard Ball I/S & O/S	
				Brgs.) & 1.180 ID C/S Brgs.):	
				Light Duty Kit	STK235-B
			1995	4WD, NV3500/MG5 Trans Mfr Code, 5 Speed;	
				Getrag 3rd Design (Standard Ball I/S & O/S	
				Brgs.):	
				Light Duty Kit	STK235-B
			1995	4WD, NV4500/MW3 Trans Mfr Code, 5 Speed:	
				Light Duty Kit	STK4500-GM
			1994-1993	4WD, MT8 Trans Mfr Code, 5 Speed:	
				Light Duty Kit	STK4500-GM
			1994-1992	4WD, NV3500/MG5 Trans Mfr Code, 5 Speed;	
				Getrag 2nd Design (3 Pc. I/S & Standard Ball	
				O/S Brgs.):	
				Light Duty Kit	STK235-B
			1992-1991	4WD, 5LM60/MG5 Trans Mfr Code, 5 Speed;	
				Getrag 2nd Design (3 Pc. I/S & Standard Ball	
				O/S Brgs.):	
				Light Duty Kit	STK235-B
			1992-1991	4WD, 5LM60/MY2 Trans Mfr Code, 5 Speed;	
				Getrag 2nd Design (3 Pc. I/S & Standard Ball	
				O/S Brgs.):	
				Light Duty Kit	STK235-B
			1991	4WD, MG5 Trans Mfr Code, 5 Speed; Getrag	
				2nd Design (3 Pc. I/S & Standard Ball O/S	
				Brgs.):	
				Light Duty Kit	STK235-B

Passenger cars, light & medium trucks

Chevrolet/GMC Truck 1 ton, 3500 (C series), 3500 (K series), 3500 (R series), 3500 (V series), C35, C30/C35, K30/K35, P30/P35, P30, Silverado/Sierra

MFG./YEAR	MODEL & LOCATION	PART NO.	MFG./YEAR	MODEL & LOCATION	PART NO.
Differential			Transmission		
Kit Front			Kit		
1997-1988	9.25" Ring Gear:		1995	4WD, NV4500/MW3 Trans Mfr Code, 5 Speed:	
	Standard Seal & Bearing Kit	SDK324-A		Light Duty Kit	STK4500-GM
1991-1977	Dana 60 Axle:		1994-1992	4WD, MT8 Trans Mfr Code, 5 Speed:	
	Standard Seal & Bearing Kit	SDK331		Light Duty Kit	STK4500-GM
Kit Rear			1990-1982	4WD, SM465/M20 Trans Mfr Code, 4 Speed;	
	10 Bolt Side Cover, Case 10-5/8" Long Overall:			Light Duty Kit	STK157
2011-2001	11.50" Ring Gear:		1988	RWD, CH465/MC9 Trans Mfr Code, 4 Speed;	
	Standard Seal & Bearing Kit	SDK327		10 Bolt Side Cover, Case 10-5/8" Long Overall:	
	Master Seal & Bearing Kit	SDK327-MK		Light Duty Kit	STK157
2000-1998	10.50" Ring Gear:		1981-1978	RWD, CH465/MC9 Trans Mfr Code, 4 Speed;	
	Standard Seal & Bearing Kit	SDK325-B		10 Bolt Side Cover, Case 10-5/8" Long Overall:	
	Master Seal & Bearing Kit	SDK325-BMK		Light Duty Kit	STK157
1999-1991	Dana 80 Axle:		1977	4WD, SM465/M20 Trans Mfr Code, 4 Speed;	
	Standard Seal & Bearing Kit	SDK337		10 Bolt Side Cover, Case 10-5/8" Long Overall:	
	Master Seal & Bearing Kit	SDK337-MK		Light Duty Kit	STK157
1997-1988	10.50" Ring Gear:		1974-1968	RWD, CH465/MC9 Trans Mfr Code, 4 Speed;	
	Standard Seal & Bearing Kit	SDK325-A		10 Bolt Side Cover, Case 10-5/8" Long Overall:	
	Master Seal & Bearing Kit	SDK325-AMK		Light Duty Kit	STK157
1995-1983	9.50" Ring Gear:		1974-1968	4WD, SM465/M21 Trans Mfr Code, 4 Speed;	
	Standard Seal & Bearing Kit	SDK324		10 Bolt Side Cover, Case 10-5/8" Long Overall:	
	Master Seal & Bearing Kit	SDK324-MK		Light Duty Kit	STK157
1994-1973	Dana 70HD Axle:			Light Duty Kit	STK157
	Standard Seal & Bearing Kit	SDK332-HD		4WD, SM465/M20 Trans Mfr Code, 4 Speed;	
1991-1973	Dana 60 Axle:			10 Bolt Side Cover, Case 10-5/8" Long Overall:	
	Standard Seal & Bearing Kit	SDK331		Light Duty Kit	STK157
1990-1973	Dana 70 Axle:		1972-1967	4WD, NP435 Trans Mfr Code, 4 Speed; With	
	Standard Seal & Bearing Kit	SDK332		Taper I/S Brg.:	
1988-1972	10.50" 1st Design Ring Gear:			Light Duty Kit	STK127
	Standard Seal & Bearing Kit	SDK325	1972-1967	RWD, NP435 Trans Mfr Code, 4 Speed; With	
	Master Seal & Bearing Kit	SDK325-MK		Taper I/S Brg.:	
				Light Duty Kit	STK127
Transfer Case			1972-1967	4WD, NP435 Trans Mfr Code, 4 Speed; With	
Kit				Ball I/S Brg.:	
2005-2001	263HD Heavy Duty:			Light Duty Kit	STK127-G
	Transfer Case Kit	STCK261-AA	1972-1967	4WD, NP435 Trans Mfr Code, 4 Speed; With	
2005-2001	261HD Heavy Duty:			Ball I/S Brg.:	
	Transfer Case Kit	STCK261-AA		Light Duty Kit	STK127-G
2005-2001	261SHD Super Heavy Duty:			Light Duty Kit	STK127-G
	Transfer Case Kit	STCK261-BB			
2005-2001	263SHD Super Heavy Duty:				
	Transfer Case Kit	STCK261-BB			
2001	246:				
	Transfer Case Kit	STCK246			
2001	261:				
	Transfer Case Kit	STCK261			
2000-1994	4401:				
	Transfer Case Kit	STCK1356			
2000-1990	4470:				
	Transfer Case Kit	STCK4470			
1993-1989	1370:				
	Transfer Case Kit	STCK1356			
1991-1988	241 w/ BD50-8 I/S Brg:				
	Transfer Case Kit	STCK241			
1984-1977	205 w/ 6307N Input Bearing:				
	Transfer Case Kit	STCK205-G			
1984-1977	205 w/ 6210N Input Bearing:				
	Transfer Case Kit	STCK205-GDM4			
1974-1970	205 w/ 6307N Input Bearing:				
	Transfer Case Kit	STCK205-G			
1974-1970	205 w/ 6210N Input Bearing:				
	Transfer Case Kit	STCK205-GDM4			

Passenger cars, light & medium trucks

Chrysler (RWD) Cordoba, Fifth Avenue, LeBaron (thru 1981), Newport, New Yorker (thru 1982), Town & Country (thru 1982)

MFG./YEAR	MODEL & LOCATION	PART NO.	MFG./YEAR	MODEL & LOCATION	PART NO.
Differential Kit Rear			Differential (Cont.) Kit Rear (Cont.)		
1989-1972	8.25" & 8.375" Ring Gears:		1974-1957	8.75" Ring Gear w/ 1.75" Pinion Sh.:	
	Standard Seal & Bearing Kit	SDK303		Standard Seal & Bearing Kit	SDK300
	Master Seal & Bearing Kit	SDK303-MK			
1989-1963	7.25" Ring Gear:				
	Standard Seal & Bearing Kit	SDK302			
1981-1972	9.25" Ring Gear:				
	Standard Seal & Bearing Kit	SDK304			
	Master Seal & Bearing Kit	SDK304-MK			
1977-1969	8.75" Ring Gear w/ 1.875" Pinion Sh.:				
	Standard Seal & Bearing Kit	SDK301			

Chrysler (RWD) Imperial (thru 1983)

Differential Kit Rear			Differential (Cont.) Kit Rear (Cont.)		
1983-1971	8.25" & 8.375" Ring Gears:		1968-1957	8.75" Ring Gear w/ 1.75" Pinion Sh.:	
	Standard Seal & Bearing Kit	SDK303		Standard Seal & Bearing Kit	SDK300
	Master Seal & Bearing Kit	SDK303-MK			
1975-1974	9.25" Ring Gear:				
	Standard Seal & Bearing Kit	SDK304			
	Master Seal & Bearing Kit	SDK304-MK			
1974-1969	8.75" Ring Gear w/ 1.875" Pinion Sh.:				
	Standard Seal & Bearing Kit	SDK301			

Dodge (RWD) Aspen, Challenger (thru 1974), Dart

Differential Kit Rear			Differential (Cont.) Kit Rear (Cont.)		
1980-1972	8.25" & 8.375" Ring Gears:		1971-1970	Dana 60 Axle:	
	Standard Seal & Bearing Kit	SDK303		Standard Seal & Bearing Kit	SDK331
	Master Seal & Bearing Kit	SDK303-MK	1968-1966	8.75" Ring Gear w/ 1.75" Pinion Sh.:	
1979-1976	7.25" Ring Gear:			Standard Seal & Bearing Kit	SDK300
	Standard Seal & Bearing Kit	SDK302			
1974-1969	8.75" Ring Gear w/ 1.875" Pinion Sh.:				
	Standard Seal & Bearing Kit	SDK301			
1972-1963	7.25" Ring Gear:				
	Standard Seal & Bearing Kit	SDK302			

Dodge (RWD) Charger (thru 1978), Coronet, Diplomat, Magnum XE, Mirada, Monaco (thru 1978), Polara, St. Regis

Differential Kit Rear			Differential (Cont.) Kit Rear (Cont.)		
1989-1969	8.25" & 8.375" Ring Gears:		1971-1968	Dana 60 Axle:	
	Standard Seal & Bearing Kit	SDK303		Standard Seal & Bearing Kit	SDK331
	Master Seal & Bearing Kit	SDK303-MK	1966	Dana 60 Axle:	
1989-1966	7.25" Ring Gear:			Standard Seal & Bearing Kit	SDK331
	Standard Seal & Bearing Kit	SDK302			
1981-1967	9.25" Ring Gear:				
	Standard Seal & Bearing Kit	SDK304			
	Master Seal & Bearing Kit	SDK304-MK			
1974-1969	8.75" Ring Gear w/ 1.875" Pinion Sh.:				
	Standard Seal & Bearing Kit	SDK301			
1974-1963	8.75" Ring Gear w/ 1.75" Pinion Sh.:				
	Standard Seal & Bearing Kit	SDK300			

Passenger cars, light & medium trucks

Dodge (RWD) Viper

MFG./YEAR	MODEL & LOCATION	PART NO.	MFG./YEAR	MODEL & LOCATION	PART NO.
Differential Kit Rear 2000-1993 Dana 44 Axle: Standard Seal & Bearing Kit SDK339-A Master Seal & Bearing Kit SDK339-AMK					

Dodge Truck Full Size Vans, 1/2 ton van, A100, B100, B150, B1500, 3/4 ton van, B200, B250, B2500, 1 ton van, B300, B350, B3500, C/V, Ram Van, Ram Wagon, Sprinter

MFG./YEAR	MODEL & LOCATION	MFG./YEAR	MODEL & LOCATION
Differential Kit Rear 2012-2007 Sprinter: Standard Seal & Bearing Kit SDK307-A Master Seal & Bearing Kit SDK307-AMK 2006-2003 Sprinter: Standard Seal & Bearing Kit SDK307 Master Seal & Bearing Kit SDK307-MK 2003-2000 9.25" Ring Gear: Standard Seal & Bearing Kit SDK304-A Master Seal & Bearing Kit SDK304-AMK 1999-1974 9.25" Ring Gear: Standard Seal & Bearing Kit SDK304 Master Seal & Bearing Kit SDK304-MK		Differential (Cont.) Kit Rear (Cont.) 1999-1971 8.25" Ring Gear: Standard Seal & Bearing Kit SDK303 Master Seal & Bearing Kit SDK303-MK 1974-1964 8.75" Ring Gear: Standard Seal & Bearing Kit SDK301	

Dodge Truck 1/2 ton AD150, AW150, D100, D150, P100, P150, W100, W150, R1500, Dakota, Durango, Nitro, Ramcharger, Ram chassis

MFG./YEAR	MODEL & LOCATION	MFG./YEAR	MODEL & LOCATION
Differential Kit Front 1999-1997 Dana 35 Axle: Standard Seal & Bearing Kit SDK335 Master Seal & Bearing Kit SDK335-MK 1996-1987 7.25" Ring Gear: Standard Seal & Bearing Kit SDK302 1993-1969 Dana 44 Axle: Standard Seal & Bearing Kit SDK339-B Master Seal & Bearing Kit SDK339-BMK Kit Rear 2010-2000 8.25" Ring Gear: Standard Seal & Bearing Kit SDK303-B Master Seal & Bearing Kit SDK303-BMK 2009-2006 11.50" Ring Gear: Standard Seal & Bearing Kit SDK327 Master Seal & Bearing Kit SDK327-MK 2009-2001 9.25" Ring Gear: Standard Seal & Bearing Kit SDK304-A Master Seal & Bearing Kit SDK304-AMK 2000-1974 9.25" Ring Gear: Standard Seal & Bearing Kit SDK304 Master Seal & Bearing Kit SDK304-MK 1999-1969 8.25" Ring Gear: Standard Seal & Bearing Kit SDK303 Master Seal & Bearing Kit SDK303-MK 1996-1987 7.25" Ring Gear: Standard Seal & Bearing Kit SDK302 1974-1968 8.75" Ring Gear w/ 1.875" Pinion Sh.: Standard Seal & Bearing Kit SDK301 1968-1960 8.75" Ring Gear w/ 1.75" Pinion Sh.: Standard Seal & Bearing Kit SDK300		Transfer Case Kit 2008-2002 243 Electric Shift: Transfer Case Kit STCK241-CC 2008-2001 244 Electric Shift: Transfer Case Kit STCK242-EE 2005-2000 241 Std. Duty: Transfer Case Kit STCK241-CC 2005-2000 241 DHD (Heavy Duty): Transfer Case Kit STCK241-DD 2000 242 w/ BD50-8 I/S Brg: Transfer Case Kit STCK242-EE 2000-1994 231 w/ 6010N I/S Brg: Transfer Case Kit STCK231-EE 1999-1998 242 w/ 6010N I/S Brg: Transfer Case Kit STCK242-DD 1999-1997 241 DHD (Heavy Duty): Transfer Case Kit STCK241-FF 1999-1997 241 Std. Duty: Transfer Case Kit STCK241-EE 1996-1995 241: Transfer Case Kit STCK241-BB 1996-1994 231: Transfer Case Kit STCK231-DD 1993-1988 231 w/ BD50-8 I/S Brg: Transfer Case Kit STCK231 1987 207: Transfer Case Kit STCK207 1987-1980 New Process 208: Transfer Case Kit STCK208 (Continued)	

Passenger cars, light & medium trucks

(Cont.) - Dodge Truck 1/2 ton, AD150, AW150, D100, D150, P100, P150, W100, W150, R1500, Dakota, Durango, Nitro, Ramcharger, Ram chassis

MFG./YEAR	MODEL & LOCATION	PART NO.	MFG./YEAR	MODEL & LOCATION	PART NO.
Transfer Case (Cont.) Kit (Cont.)			Transmission (Cont.) Kit (Cont.)		
1974-1969	205 w/ 6307N Input Bearing: Transfer Case Kit	STCK205-G	1965	RWD, NP435 Trans Mfr Code, 4 Speed; Alum. Shift Cover (Ball I/S Brg.):	
Transmission Kit				Light Duty Kit	STK127-G
2004	4WD, NV4500HD Trans Mfr Code, 5 Speed; Gas or Diesel:		1965	4WD, NP435 Trans Mfr Code, 4 Speed; Alum. Shift Cover (Ball I/S Brg.):	
	Light Duty Kit	STK4500-D		Light Duty Kit	STK127-G
2004-1992	RWD, NV4500 Trans Mfr Code, 5 Speed; Gas or Diesel:				
	Light Duty Kit	STK4500-D			

Dodge Truck 3/4 ton, D200, D250, P200, P250, W200, W250, R2500

Differential Kit Front			Transfer Case (Cont.) Kit (Cont.)		
2008-1981	Spicer 60 Axle: Standard Seal & Bearing Kit	SDK331	2002-2000	241 Std. Duty: Transfer Case Kit	STCK241-CC
1984-1969	Dana 44 Axle: Standard Seal & Bearing Kit	SDK339-B	1999-1997	241 Std. Duty: Transfer Case Kit	STCK241-EE
	Master Seal & Bearing Kit	SDK339-BMK	1999-1997	241 DHD (Heavy Duty): Transfer Case Kit	STCK241-FF
Kit Rear			1996-1995	241: Transfer Case Kit	STCK241-BB
2009-2003	11.50" Ring Gear: Standard Seal & Bearing Kit	SDK327	1993-1988	205 w/ 6210N Input Bearing: Transfer Case Kit	STCK205-D
	Master Seal & Bearing Kit	SDK327-MK	1987-1980	205 w/ 6307N Input Bearing: Transfer Case Kit	STCK205-G
2008-2001	9.25" Ring Gear: Standard Seal & Bearing Kit	SDK304-A	1987-1980	New Process 208: Transfer Case Kit	STCK208
	Master Seal & Bearing Kit	SDK304-AMK	1974-1969	205 w/ 6307N Input Bearing: Transfer Case Kit	STCK205-G
2008-1994	Dana 60 Axle: Standard Seal & Bearing Kit	SDK331-A			
	Master Seal & Bearing Kit	SDK331-AMK	Transmission Kit		
2002-1994	Dana 80 Axle: Standard Seal & Bearing Kit	SDK337	2005-1992	RWD, NV4500 Trans Mfr Code, 5 Speed; Gas or Diesel: Light Duty Kit	STK4500-D
	Master Seal & Bearing Kit	SDK337-MK	2004-1994	4WD, NV4500HD Trans Mfr Code, 5 Speed; Gas or Diesel: Light Duty Kit	STK4500-D
2000-1974	9.25" Ring Gear: Standard Seal & Bearing Kit	SDK304	1965	4WD, NP435 Trans Mfr Code, 4 Speed; Alum. Shift Cover (Ball I/S Brg.):	
	Master Seal & Bearing Kit	SDK304-MK		Light Duty Kit	STK127-G
1993-1961	Dana 60 Axle: Standard Seal & Bearing Kit	SDK331	1965	RWD, NP435 Trans Mfr Code, 4 Speed; Alum. Shift Cover (Ball I/S Brg.):	
1974-1969	8.75" Ring Gear w/ 1.875" Pinion Sh.: Standard Seal & Bearing Kit	SDK301		Light Duty Kit	STK127-G
1968-1965	8.75" Ring Gear w/ 1.75" Pinion Sh.: Standard Seal & Bearing Kit	SDK300			
Transfer Case Kit					
2008-2003	273: Transfer Case Kit	STCK271-AA			
2008-2003	271: Transfer Case Kit	STCK271-AA			
2002-2000	241 DHD (Heavy Duty): Transfer Case Kit	STCK241-DD			

Passenger cars, light & medium trucks

Dodge Truck 1 ton, D300, D350, M300, M350, P300, P350, W300, W350, R3500

MFG./YEAR	MODEL & LOCATION	PART NO.	MFG./YEAR	MODEL & LOCATION	PART NO.
Differential			Transfer Case (Cont.)		
Kit Front			Kit (Cont.)		
2008-1994	Spicer 60 Axle:		1993-1988	205 w/ 6210N Input Bearing:	
	Standard Seal & Bearing Kit	SDK331		Transfer Case Kit	STCK205-D
Kit Rear			1987-1980	205 w/ 6307N Input Bearing:	
2009-2003	11.50" Ring Gear:			Transfer Case Kit	STCK205-G
	Standard Seal & Bearing Kit	SDK327	1987-1980	New Process 208:	
	Master Seal & Bearing Kit	SDK327-MK		Transfer Case Kit	STCK208
2008-2001	9.25" Ring Gear:		1974-1969	205 w/ 6307N Input Bearing:	
	Standard Seal & Bearing Kit	SDK304-A		Transfer Case Kit	STCK205-G
	Master Seal & Bearing Kit	SDK304-AMK	Transmission		
2002-1994	Dana 80 Axle:		Kit		
	Standard Seal & Bearing Kit	SDK337	2005-2004	RWD, NV4500 Trans Mfr Code, 5 Speed; Gas or Diesel:	
	Master Seal & Bearing Kit	SDK337-MK		Light Duty Kit	STK4500-D
2000-1974	9.25" Ring Gear:		2004	4WD, NV4500HD Trans Mfr Code, 5 Speed; Gas or Diesel:	
	Standard Seal & Bearing Kit	SDK304		Light Duty Kit	STK4500-D
	Master Seal & Bearing Kit	SDK304-MK	2001-1997	4WD, NV4500HD Trans Mfr Code, 5 Speed; Gas or Diesel:	
1993-1975	Dana 60 Axle:			Light Duty Kit	STK4500-D
	Standard Seal & Bearing Kit	SDK331	2001-1994	RWD, NV4500 Trans Mfr Code, 5 Speed; Gas or Diesel:	
1984-1960	Dana 70 Axle:			Light Duty Kit	STK4500-D
	Standard Seal & Bearing Kit	SDK332	1992	RWD, NV4500 Trans Mfr Code, 5 Speed; Gas or Diesel:	
1968-1960	Dana 60 Axle:			Light Duty Kit	STK4500-D
	Standard Seal & Bearing Kit	SDK331	1965-1964	RWD, NP435 Trans Mfr Code, 4 Speed; Alum. Shift Cover (Ball I/S Brg.):	
Transfer Case				Light Duty Kit	STK127-G
Kit			1965-1964	4WD, NP435 Trans Mfr Code, 4 Speed; Alum. Shift Cover (Ball I/S Brg.):	
2008-2003	273:			Light Duty Kit	STK127-G
	Transfer Case Kit	STCK271-AA	Differential (Cont.)		
2008-2003	271:		Kit Rear (Cont.)		
	Transfer Case Kit	STCK271-AA	1980-1973	9.00" 31 Spline STSP 5/11/1970 Ring Gear:	
2002-2000	241 Std. Duty:			Standard Seal & Bearing Kit	SDK313
	Transfer Case Kit	STCK241-CC		Master Seal & Bearing Kit	SDK313-MK
2002-2000	241 DHD (Heavy Duty):				
	Transfer Case Kit	STCK241-DD			
1999-1997	241 Std. Duty:				
	Transfer Case Kit	STCK241-EE			
1999-1997	241 DHD (Heavy Duty):				
	Transfer Case Kit	STCK241-FF			
1996-1995	241:				
	Transfer Case Kit	STCK241-BB			

Ford (RWD) (Full Size), Country Squire, Crown Victoria, Galaxie, LTD (thru 1982)

Differential			Differential (Cont.)		
Kit Rear			Kit Rear (Cont.)		
2011-1981	8.80" Ring Gear:		1980-1973	9.00" 31 Spline STSP 5/11/1970 Ring Gear:	
	Standard Seal & Bearing Kit	SDK311		Standard Seal & Bearing Kit	SDK313
	Master Seal & Bearing Kit	SDK311-MK		Master Seal & Bearing Kit	SDK313-MK
1986-1983	7.50" Ring Gear:				
	Standard Seal & Bearing Kit	SDK315			
	Master Seal & Bearing Kit	SDK315-MK			

Passenger cars, light & medium trucks

Ford (RWD) Fairlane (1970-62), LTD II, Torino

MFG./YEAR	MODEL & LOCATION	PART NO.	MFG./YEAR	MODEL & LOCATION	PART NO.
Differential Kit Rear			Differential (Cont.) Kit Rear (Cont.)		
1979-1971	9.00" Ring Gear:		1970-1962	9.00" 28 Spline ENSP 5/10/70 Ring Gear:	
	Standard Seal & Bearing Kit	SDK313		Standard Seal & Bearing Kit	SDK312
	Master Seal & Bearing Kit	SDK313-MK		Master Seal & Bearing Kit	SDK312-MK
1978-1962	8.00" Ring Gear:				
	Standard Seal & Bearing Kit	SDK310			
	Master Seal & Bearing Kit	SDK310-MK			
1970	9.00" 31 Spline STSP 5/11/1970 Ring Gear:				
	Standard Seal & Bearing Kit	SDK313			
	Master Seal & Bearing Kit	SDK313-MK			

Ford (RWD) Fairmont, Maverick

MFG./YEAR	MODEL & LOCATION	PART NO.	MFG./YEAR	MODEL & LOCATION	PART NO.
Differential Kit Rear			Differential (Cont.) Kit Rear (Cont.)		
1983-1978	7.50" Ring Gear:		1980-1971	8.00" Ring Gear:	
	Standard Seal & Bearing Kit	SDK315		Standard Seal & Bearing Kit	SDK310
	Master Seal & Bearing Kit	SDK315-MK		Master Seal & Bearing Kit	SDK310-MK
1980-1975	9.00" Ring Gear:				
	Standard Seal & Bearing Kit	SDK313			
	Master Seal & Bearing Kit	SDK313-MK			

Ford (RWD) Falcon

MFG./YEAR	MODEL & LOCATION	PART NO.
Differential Kit Rear		
1970-1962	8.00" Ring Gear:	
	Standard Seal & Bearing Kit	SDK310
	Master Seal & Bearing Kit	SDK310-MK

Ford (RWD) Granada

MFG./YEAR	MODEL & LOCATION	PART NO.	MFG./YEAR	MODEL & LOCATION	PART NO.
Differential Kit Rear			Differential (Cont.) Kit Rear (Cont.)		
1986-1981	7.50" Ring Gear:		1980-1975	9.00" Ring Gear:	
	Standard Seal & Bearing Kit	SDK315		Standard Seal & Bearing Kit	SDK313
	Master Seal & Bearing Kit	SDK315-MK		Master Seal & Bearing Kit	SDK313-MK
1982-1981	8.80" Ring Gear:		1980-1973	9.00" Ring Gear w/ 31 Spline Axle Sh.:	
	Standard Seal & Bearing Kit	SDK311		Standard Seal & Bearing Kit	SDK313
	Master Seal & Bearing Kit	SDK311-MK		Master Seal & Bearing Kit	SDK313-MK
1980-1975	8.00" Ring Gear:				
	Standard Seal & Bearing Kit	SDK310			
	Master Seal & Bearing Kit	SDK310-MK			

Ford (RWD) GT (from 2005), Mustang, Mustang II, Mustang GT

MFG./YEAR	MODEL & LOCATION	PART NO.	MFG./YEAR	MODEL & LOCATION	PART NO.
Differential Kit Rear			Differential (Cont.) Kit Rear (Cont.)		
2010-2005	8.80" Ring Gear:		1973-1970	9.00" 31 Spline STSP 5/11/1970 Ring Gear:	
	Standard Seal & Bearing Kit	SDK311-E		Standard Seal & Bearing Kit	SDK313
	Master Seal & Bearing Kit	SDK311-EMK		Master Seal & Bearing Kit	SDK313-MK
2010-1979	7.50" Ring Gear:		1973-1964	8.00" Ring Gear:	
	Standard Seal & Bearing Kit	SDK315		Standard Seal & Bearing Kit	SDK310
	Master Seal & Bearing Kit	SDK315-MK		Master Seal & Bearing Kit	SDK310-MK
2004-1986	8.80" Ring Gear:		1970-1965	9.00" 28 Spline ENSP 5/10/70 Ring Gear:	
	Standard Seal & Bearing Kit	SDK311		Standard Seal & Bearing Kit	SDK312
	Master Seal & Bearing Kit	SDK311-MK		Master Seal & Bearing Kit	SDK312-MK

Passenger cars, light & medium trucks

Ford (RWD) Pinto

MFG./YEAR	MODEL & LOCATION	PART NO.	MFG./YEAR	MODEL & LOCATION	PART NO.
Differential Kit Rear 1980-1971 8.00" Ring Gear: Standard Seal & Bearing Kit SDK310 Master Seal & Bearing Kit SDK310-MK					

Ford (RWD) Thunderbird

Differential Kit Rear 1997-1988 8.80" Ring Gear: Standard Seal & Bearing Kit SDK311 Master Seal & Bearing Kit SDK311-MK 1997-1980 7.50" Ring Gear: Standard Seal & Bearing Kit SDK315 Master Seal & Bearing Kit SDK315-MK 1979-1970 9.00" 31 Spline STSP 5/11/1970 Ring Gear: Standard Seal & Bearing Kit SDK313 Master Seal & Bearing Kit SDK313-MK	Differential (Cont.) Kit Rear (Cont.) 1970-1957 9.00" 28 Spline ENSP 5/10/70 Ring Gear: Standard Seal & Bearing Kit SDK312 Master Seal & Bearing Kit SDK312-MK
---	---

Ford Truck Aerostar, Bronco II, Excursion, Expedition, Explorer, Explorer Sport, Explorer Sport Trac, Ranger

Differential Kit Front 1997-1990 Dana 35 Axle: Standard Seal & Bearing Kit SDK335 Master Seal & Bearing Kit SDK335-MK 1997-1983 Dana 28 Axle: Standard Seal & Bearing Kit SDK333 1989-1986 Dana 30 ENSP 89-1/2 Axle: Standard Seal & Bearing Kit SDK339 Kit Rear 2010-2008 w/ 8.80" Ring Gear & Independent Rr. Suspension: Standard Seal & Bearing Kit SDK311-D Master Seal & Bearing Kit SDK311-DMK 2010-2007 8.80" Ring Gear: Standard Seal & Bearing Kit SDK311-G Master Seal & Bearing Kit SDK311-GMK 2010-2007 9.75" Ring Gear: Standard Seal & Bearing Kit SDK316-B Master Seal & Bearing Kit SDK316-BMK 2010-1983 7.50" Ring Gear: Standard Seal & Bearing Kit SDK315 Master Seal & Bearing Kit SDK315-MK 2006-1999 9.75" Ring Gear: Standard Seal & Bearing Kit SDK316-A Master Seal & Bearing Kit SDK316-AMK 2006-1990 8.80" Ring Gear: Standard Seal & Bearing Kit SDK311 Master Seal & Bearing Kit SDK311-MK 2005-2000 10.50" Ring Gear: Standard Seal & Bearing Kit SDK317 Master Seal & Bearing Kit SDK317-MK 1999 9.75" Ring Gear w/ 3.00" O.D. Pinion Cup: Standard Seal & Bearing Kit SDK316-A Master Seal & Bearing Kit SDK316-AMK 1989-1986 Dana 30 Axle: Standard Seal & Bearing Kit SDK339	Transfer Case Kit 2008-1990 1354 Manual Shift or Electric Shift: Transfer Case Kit STCK1354 2005-2000 273 Electric Shift: Transfer Case Kit STCK271 2002-1997 4406 Torque on Demand: Transfer Case Kit STCK4406 2001-1997 4405 V-6 w/ Electric Shift: Transfer Case Kit STCK4405-AA 1996-1995 4405 V-6 w/ Electric Shift: Transfer Case Kit STCK4405 Transmission Kit 2008-2006 4WD, M5R1HD Trans Mfr Code, 5 Speed; Updated 30 Tooth 5th Gear Synchro: Light Duty Kit STK247 2003-2002 RWD, M5R1 Trans Mfr Code, 5 Speed; Codes E87A, E97A, F07A, F17A (Updated 5th Rings 30 Teeth): Light Duty Kit STK247 1989-1988 RWD, M5R1 Trans Mfr Code, 5 Speed; 36 Tooth 5th Gear Synchro: Light Duty Kit STK247 1989-1988 4WD, FM146 Trans Mfr Code, 5 Speed; 12 Bolt Bottom Pan, Synchronized Rev.: Light Duty Kit STK50 1987-1986 4WD, FM145 Trans Mfr Code, 5 Speed; 12 Bolt Bottom Pan: Light Duty Kit STK50
---	---

Passenger cars, light & medium trucks

Ford Truck Bronco

MFG./YEAR	MODEL & LOCATION	PART NO.	MFG./YEAR	MODEL & LOCATION	PART NO.
Differential			Transfer Case (Cont.)		
Kit Front			Kit (Cont.)		
1996-1967 Dana 44 Axle:			1979-1978 205 Direct Mount:		
	Standard Seal & Bearing Kit	SDK339-B		Transfer Case Kit	STCK205-F
	Master Seal & Bearing Kit	SDK339-BMK	Transmission		
Kit Rear			Kit		
1996-1983 8.80" Ring Gear:			1996 4WD, M5R2 Trans Mfr Code, 5 Speed; Updated		
	Standard Seal & Bearing Kit	SDK311	33 Tooth 5th Gear Synchro:		
	Master Seal & Bearing Kit	SDK311-MK	Light Duty Kit		
1986-1970 9.00" 31 Spline STSP 5/11/1970 Ring Gear:			1992-1990 4WD, S5-42 Trans Mfr Code, 5 Speed;		
	Standard Seal & Bearing Kit	SDK313	Includes Mainshaft Needles:		
	Master Seal & Bearing Kit	SDK313-MK	Light Duty Kit		
1970-1967 9.00" 28 Spline ENSP 5/10/70 Ring Gear:			1990-1988 4WD, T-18 Trans Mfr Code, 4 Speed:		
	Standard Seal & Bearing Kit	SDK312	Light Duty Kit		
	Master Seal & Bearing Kit	SDK312-MK	1989-1988 4WD, M5R2 Trans Mfr Code, 5 Speed; 42		
Transfer Case			Tooth 5th Gear Synchro:		
Kit			Light Duty Kit		
1996-1992 1356 Electric Shift:			1985-1980 4WD, T-18 Trans Mfr Code, 4 Speed:		
	Transfer Case Kit	STCK1356	Light Duty Kit		
1996-1987 1356 Manual Shift:			1989-1988 4WD, M5R2 Trans Mfr Code, 5 Speed; 42		
	Transfer Case Kit	STCK1356	Tooth 5th Gear Synchro:		
1986-1981 1345:			Light Duty Kit		
	Transfer Case Kit	STCK1345	1985-1980 4WD, T-18 Trans Mfr Code, 4 Speed:		
1986-1980 New Process 208:			Light Duty Kit		
	Transfer Case Kit	STCK208	1989-1988 4WD, M5R2 Trans Mfr Code, 5 Speed; 42		

Ford Truck Full size vans, Econoline, 1/2 ton van, E100, E150, 3/4 ton van, E200, E250, 1 ton van, E300, E350, E450, E550, E(Super Duty)

MFG./YEAR	MODEL & LOCATION	PART NO.	MFG./YEAR	MODEL & LOCATION	PART NO.
Differential			Differential (Cont.)		
Kit Rear			Kit Rear (Cont.)		
2010-1998 Dana 70U Axle:			1999 9.75" Ring Gear w/ 3.00" O.D. Pinion Cup:		
	Standard Seal & Bearing Kit	SDK332-A	Standard Seal & Bearing Kit		
2010-1979 Dana 70HD Axle:			Master Seal & Bearing Kit		
	Standard Seal & Bearing Kit	SDK332-HD	1998-1996 Dana 80 Axle:		
2010-1975 Dana 60/61 Axle:			Standard Seal & Bearing Kit		
	Standard Seal & Bearing Kit	SDK331	Master Seal & Bearing Kit		
2006-1999 9.75" Ring Gear:			1983-1979 Dana 70 Axle:		
	Standard Seal & Bearing Kit	SDK316-A	Standard Seal & Bearing Kit		
	Master Seal & Bearing Kit	SDK316-AMK			
2006-1987 8.80" Ring Gear:					
	Standard Seal & Bearing Kit	SDK311			
	Master Seal & Bearing Kit	SDK311-MK			

Ford Truck 1/2 ton, F100, F150, F1 series

MFG./YEAR	MODEL & LOCATION	PART NO.	MFG./YEAR	MODEL & LOCATION	PART NO.
Differential			Differential (Cont.)		
Kit Front			Kit Rear (Cont.)		
1992-1967 Dana 44 Axle w/3.00" O.D. Pinion Cup:			2008-2007 8.80" Ring Gear:		
	Standard Seal & Bearing Kit	SDK339-B	Standard Seal & Bearing Kit		
	Master Seal & Bearing Kit	SDK339-BMK	Master Seal & Bearing Kit		
Kit Rear			2008-2007 10.50" Ring Gear:		
2010-2009 8.80" Ring Gear:			Standard Seal & Bearing Kit		
	Standard Seal & Bearing Kit	SDK311-D	Master Seal & Bearing Kit		
	Master Seal & Bearing Kit	SDK311-DMK	2006-2004 10.50" Ring Gear:		
2010-2007 9.75" Ring Gear:			Standard Seal & Bearing Kit		
	Standard Seal & Bearing Kit	SDK316-B	Master Seal & Bearing Kit		
	Master Seal & Bearing Kit	SDK316-BMK			

(Continued)

Ford Truck 1/2 ton, F100, F150, F1 series -- (Cont.)

MFG./YEAR	MODEL & LOCATION	PART NO.	MFG./YEAR	MODEL & LOCATION	PART NO.
Differential (Cont.)			Transfer Case (Cont.)		
Kit Rear (Cont.)			Kit (Cont.)		
2006-2000	9.75" Ring Gear:		1986-1980	New Process 208:	
	Standard Seal & Bearing Kit	SDK316-A		Transfer Case Kit	STCK208
	Master Seal & Bearing Kit	SDK316-AMK	1977-1973	205 Remote Mount:	
2006-1983	8.80" Ring Gear:			Transfer Case Kit	STCK205-FA
	Standard Seal & Bearing Kit	SDK311	Transmission		
	Master Seal & Bearing Kit	SDK311-MK	Kit		
2003-2000	10.25" Ring Gear:		2008	RWD, M5R2 Trans Mfr Code, 5 Speed; 3 Pc 2nd Synchro Ring, Synchro Rev.:	
	Standard Seal & Bearing Kit	SDK314		Light Duty Kit	STK248
	Master Seal & Bearing Kit	SDK314-MK	2008	4WD, M5R2 Trans Mfr Code, 5 Speed; 3 Pc 2nd Synchro Ring, Synchro Rev.:	
1999	9.75" Ring Gear w/ 3.00" O.D. Pinion Cup:			Light Duty Kit	STK248
	Standard Seal & Bearing Kit	SDK316-A	1996-1988	4WD, S5-42 Trans Mfr Code, 5 Speed; Includes Mainshaft Needles:	
	Master Seal & Bearing Kit	SDK316-AMK		Light Duty Kit	STK300-ZF
1986-1970	9.00" 31 Spline STSP 5/11/1970 Ring Gear:		1996-1988	RWD, S5-42 Trans Mfr Code, 5 Speed; Includes Mainshaft Needles:	
	Standard Seal & Bearing Kit	SDK313		Light Duty Kit	STK300-ZF
	Master Seal & Bearing Kit	SDK313-MK	1992-1987	RWD, T-18 Trans Mfr Code, 4 Speed:	
1983-1975	Dana 44 Axle:			Light Duty Kit	STK82-F
	Standard Seal & Bearing Kit	SDK339-B	1992-1987	4WD, T-18 Trans Mfr Code, 4 Speed:	
	Master Seal & Bearing Kit	SDK339-BMK		Light Duty Kit	STK82-F
1970-1960	9.00" 28 Spline ENSP 5/10/70 Ring Gear:		1989-1988	RWD, M5R2 Trans Mfr Code, 5 Speed; 42 Tooth 5th Gear Synchro:	
	Standard Seal & Bearing Kit	SDK312		Light Duty Kit	STK248
	Master Seal & Bearing Kit	SDK312-MK	1989-1988	4WD, M5R2 Trans Mfr Code, 5 Speed; 42 Tooth 5th Gear Synchro:	
				Light Duty Kit	STK248
Transfer Case			1985-1977	4WD, T-18 Trans Mfr Code, 4 Speed:	
Kit				Light Duty Kit	STK82-F
2008	4406 Manual Shift, Electric Shift & Torque on Demand:		1985-1965	RWD, T-18 Trans Mfr Code, 4 Speed:	
	Transfer Case Kit	STCK4406		Light Duty Kit	STK82-F
2004-1996	4406 Manual Shift, Electric Shift & Torque on Demand:		1975-1965	4WD, T-18 Trans Mfr Code, 4 Speed:	
	Transfer Case Kit	STCK4406		Light Duty Kit	STK82-F
1997-1992	1356 Electric Shift:				
	Transfer Case Kit	STCK1356			
1997-1987	1356 Manual Shift:				
	Transfer Case Kit	STCK1356			
1992-1982	1345:				
	Transfer Case Kit	STCK1345			
1989-1975	205 Direct Mount:				
	Transfer Case Kit	STCK205-F			

Ford Truck 3/4 ton, F250, F250(Super Duty), F2 series

Differential		Differential (Cont.)	
Kit Front		Kit Rear (Cont.)	
1998-1980	Spicer 50 Axle:	1997-1954	Dana 60/61 Axle:
	Standard Seal & Bearing Kit		Standard Seal & Bearing Kit
	SDK336		SDK331
1988-1967	Spicer 44 Axle:	1989-1983	8.80" Ring Gear:
	Standard Seal & Bearing Kit		Standard Seal & Bearing Kit
	SDK339-B		SDK311
	Master Seal & Bearing Kit		Master Seal & Bearing Kit
	SDK339-BMK	1974-1970	9.00" 31 Spline STSP 5/11/1970 Ring Gear:
1979-1973	Spicer 60 Axle:		Standard Seal & Bearing Kit
	Standard Seal & Bearing Kit		SDK313
	SDK331		Master Seal & Bearing Kit
			SDK313-MK
Kit Rear		1970-1969	9.00" 28 Spline ENSP 5/10/70 Ring Gear:
2010-2008	10.50" Ring Gear:		Standard Seal & Bearing Kit
	Standard Seal & Bearing Kit		SDK312
	Master Seal & Bearing Kit		Master Seal & Bearing Kit
	SDK317-A		SDK312-MK
	Master Seal & Bearing Kit		
	SDK317-AMK	Transfer Case	
2007-1999	10.50" Ring Gear:	Kit	
	Standard Seal & Bearing Kit	2008	271:
	Master Seal & Bearing Kit		Transfer Case Kit
	SDK317		STCK271
	Master Seal & Bearing Kit		(Continued)
	SDK317-MK		
1999-1985	10.25" Ring Gear:		
	Standard Seal & Bearing Kit		
	SDK314		
	Master Seal & Bearing Kit		
	SDK314-MK		

Passenger cars, light & medium trucks

(Cont.) -- Ford Truck 3/4 ton, F250, F250(Super Duty), F2 series

MFG./YEAR	MODEL & LOCATION	PART NO.	MFG./YEAR	MODEL & LOCATION	PART NO.
Transfer Case (Cont.) Kit (Cont.)			Transmission (Cont.) Kit (Cont.)		
2008	273 Electric Shift:		2001-1999	RWD, S5-47 Trans Mfr Code, 5 Speed; Includes Mainshaft Needles:	
	Transfer Case Kit	STCK271		Light Duty Kit	STK300-ZF
2006-1999	271:		1997-1996	RWD, S5-47 Trans Mfr Code, 5 Speed; Includes Mainshaft Needles:	
	Transfer Case Kit	STCK271		Light Duty Kit	STK300-ZF
2006-1999	273 Electric Shift:		1997-1996	4WD, S5-47 Trans Mfr Code, 5 Speed; Includes Mainshaft Needles:	
	Transfer Case Kit	STCK271		Light Duty Kit	STK300-ZF
1999-1996	4406 Manual Shift, Electric Shift & Torque on Demand:		1995-1988	RWD, S5-42 Trans Mfr Code, 5 Speed; Includes Mainshaft Needles:	
	Transfer Case Kit	STCK4406		Light Duty Kit	STK300-ZF
1997-1996	4407:		1995-1988	4WD, S5-42 Trans Mfr Code, 5 Speed; Includes Mainshaft Needles:	
	Transfer Case Kit	STCK4407		Light Duty Kit	STK300-ZF
1997-1987	1356 Manual Shift:		1992-1965	4WD, T-18 Trans Mfr Code, 4 Speed:	
	Transfer Case Kit	STCK1356		Light Duty Kit	STK82-F
1992-1981	1345:		1992-1965	RWD, T-18 Trans Mfr Code, 4 Speed:	
	Transfer Case Kit	STCK1345		Light Duty Kit	STK82-F
1986-1980	New Process 208:		1989-1988	RWD, M5R2 Trans Mfr Code, 5 Speed; 42 Tooth 5th Gear Synchro:	
	Transfer Case Kit	STCK208		Light Duty Kit	STK248
1979-1973	205 Direct Mount:		1989-1988	4WD, M5R2 Trans Mfr Code, 5 Speed; 42 Tooth 5th Gear Synchro:	
	Transfer Case Kit	STCK205-F		Light Duty Kit	STK248
1977-1973	205 Remote Mount:				
	Transfer Case Kit	STCK205-FA			
Transmission Kit					
2008-1999	4WD, S6-650 Trans Mfr Code, 6 Speed:				
	Light Duty Kit	STKS6-650ZF			
2008-1999	RWD, S6-650 Trans Mfr Code, 6 Speed:				
	Light Duty Kit	STKS6-650ZF			
2001-1999	4WD, S5-47 Trans Mfr Code, 5 Speed; Includes Mainshaft Needles:				
	Light Duty Kit	STK300-ZF			

Ford Truck 1 ton, F350, F350(Super Duty), F3 series, F53, F59, Super Duty

Differential

Kit Front

2008-1999	Spicer 60 Axle:	
	Standard Seal & Bearing Kit	SDK331-A
	Master Seal & Bearing Kit	SDK331-AMK
1998-1980	Spicer 50 Axle:	
	Standard Seal & Bearing Kit	SDK336
1998-1979	Spicer 60 Axle:	
	Standard Seal & Bearing Kit	SDK331
1985-1981	Spicer 44 Axle:	
	Standard Seal & Bearing Kit	SDK339-B
	Master Seal & Bearing Kit	SDK339-BMK

Kit Rear

2010-2008	10.50" Ring Gear:	
	Standard Seal & Bearing Kit	SDK317-A
	Master Seal & Bearing Kit	SDK317-AMK
2008-1998	Dana 70U Axle:	
	Standard Seal & Bearing Kit	SDK332-A
2008-1972	Dana 70HD Axle:	
	Standard Seal & Bearing Kit	SDK332-HD
2007-1999	10.50" Ring Gear:	
	Standard Seal & Bearing Kit	SDK317
	Master Seal & Bearing Kit	SDK317-MK
1999-1985	10.25" Ring Gear:	
	Standard Seal & Bearing Kit	SDK314
	Master Seal & Bearing Kit	SDK314-MK

Differential (Cont.)

Kit Rear (Cont.)

1998-1988	Dana 80 Axle:	
	Standard Seal & Bearing Kit	SDK337
	Master Seal & Bearing Kit	SDK337-MK
1998-1954	Dana 60/61 Axle:	
	Standard Seal & Bearing Kit	SDK331
1983-1961	Dana 70 Axle:	
	Standard Seal & Bearing Kit	SDK332

Transfer Case

Kit

2008-2003	273 Electric Shift:	
	Transfer Case Kit	STCK271
2008-2003	271:	
	Transfer Case Kit	STCK271
1997-1987	1356 Manual Shift:	
	Transfer Case Kit	STCK1356
1987-1980	1345:	
	Transfer Case Kit	STCK1345
1986-1984	New Process 208:	
	Transfer Case Kit	STCK208
1979-1971	205 Direct Mount:	
	Transfer Case Kit	STCK205-F
1977-1971	205 Remote Mount:	
	Transfer Case Kit	STCK205-FA

(Continued)

Ford Truck 1 ton, F350, F350(Super Duty), F3 series, F53, F59, Super Duty -- (Cont.)

MFG./YEAR	MODEL & LOCATION	PART NO.	MFG./YEAR	MODEL & LOCATION	PART NO.
Transmission			Transmission (Cont.)		
Kit			Kit (Cont.)		
2008-1999	4WD, S6-650 Trans Mfr Code, 6 Speed:		1995-1988	4WD, S5-42 Trans Mfr Code, 5 Speed;	
	Light Duty Kit	STKS6-650ZF		Includes Mainshaft Needles:	
2008-1999	RWD, S6-650 Trans Mfr Code, 6 Speed:			Light Duty Kit	STK300-ZF
	Light Duty Kit	STKS6-650ZF	1987-1979	4WD, T-18 Trans Mfr Code, 4 Speed:	
1997-1996	4WD, S5-47 Trans Mfr Code, 5 Speed;			Light Duty Kit	STK82-F
	Includes Mainshaft Needles:		1987-1965	RWD, T-18 Trans Mfr Code, 4 Speed:	
	Light Duty Kit	STK300-ZF		Light Duty Kit	STK82-F
1997-1996	RWD, S5-47 Trans Mfr Code, 5 Speed;		1974-1965	4WD, T-18 Trans Mfr Code, 4 Speed:	
	Includes Mainshaft Needles:			Light Duty Kit	STK82-F
	Light Duty Kit	STK300-ZF			
1995-1988	RWD, S5-42 Trans Mfr Code, 5 Speed;				
	Includes Mainshaft Needles:				
	Light Duty Kit	STK300-ZF			
	Light Duty Kit	STK300-ZF			

Hummer H1 & H3

Differential			Transfer Case		
Kit Rear			Kit		
2008-2006	8.00" Ring Gear:		2006	242:	
	Standard Seal & Bearing Kit	SDK320-D		Transfer Case Kit	STCK242-AA
	Master Seal & Bearing Kit	SDK320-DMK	2004-2002	242:	
				Transfer Case Kit	STCK242-AA

Isuzu Truck Ascender & Hombre

Differential			Differential (Cont.)		
Kit Rear			Kit Rear (Cont.)		
2008-2007	8.50" & 8.625" Ring Gears:		2000-1999	8.50" Ring Gear:	
	Standard Seal & Bearing Kit	SDK321-K		Standard Seal & Bearing Kit	SDK321-C
	Master Seal & Bearing Kit	SDK321-KMK		Master Seal & Bearing Kit	SDK321-CMK
2008-2003	8.00" Ring Gear:		1998-1996	7.50" Ring Gear:	
	Standard Seal & Bearing Kit	SDK320-D		Standard Seal & Bearing Kit	SDK320
	Master Seal & Bearing Kit	SDK320-DMK		Master Seal & Bearing Kit	SDK320-MK
2006-2003	8.50" Ring Gear:		1998-1996	8.50" Ring Gear:	
	Standard Seal & Bearing Kit	SDK321-C		Standard Seal & Bearing Kit	SDK321
	Master Seal & Bearing Kit	SDK321-CMK		Master Seal & Bearing Kit	SDK321-MK
2000-1999	7.50" Ring Gear:				
	Standard Seal & Bearing Kit	SDK320-C			
	Master Seal & Bearing Kit	SDK320-CMK			

Jeep CJ, Jeepster, Scrambler, TJ, Wrangler

Differential			Differential (Cont.)		
Kit Front			Kit Rear		
2006-1997	Dana 30 Axle:		2006-1987	Dana 35 Axle:	
	Standard Seal & Bearing Kit	SDK334-TJ		Standard Seal & Bearing Kit	SDK335
	Master Seal & Bearing Kit	SDK334-TJMK		Master Seal & Bearing Kit	SDK335-MK
1995-1971	Dana 30 Axle:		2000-1986	Dana 44 Axle:	
	Standard Seal & Bearing Kit	SDK334		Standard Seal & Bearing Kit	SDK339-B
	Master Seal & Bearing Kit	SDK334-MK		Master Seal & Bearing Kit	SDK339-BMK
			1986-1976	AMC 20 Axle:	
				Standard Seal & Bearing Kit	SDK311-J
				(Continued)	

Passenger cars, light & medium trucks

Jeep CJ, Jeepster, Scrambler, TJ, Wrangler

MFG./YEAR	MODEL & LOCATION	PART NO.	MFG./YEAR	MODEL & LOCATION	PART NO.
Differential (Cont.)			Transfer Case (Cont.)		
Kit Rear (Cont.)			Kit (Cont.)		
1975-1966 Dana 44 Axle:			1986-1980 Dana 300:		
	Standard Seal & Bearing Kit	SDK339-B		Transfer Case Kit	STCK300
	Master Seal & Bearing Kit	SDK339-BMK	Transmission		
Transfer Case			Kit		
Kit			1979-1970 4WD, T-18 Trans Mfr Code, 4 Speed:		
2008-1999	231 w/ 6010N I/S Brg:			Light Duty Kit	STK82-F
	Transfer Case Kit	STCK231-FF	1974-1970 RWD, T-18 Trans Mfr Code, 4 Speed:		
2008-1999	242 w/ 6010N I/S Brg:			Light Duty Kit	STK82-F
	Transfer Case Kit	STCK242-BB			
1990-1987	231 w/ BD50-8 I/S Brg:				
	Transfer Case Kit	STCK231			
1990-1987	242 w/ BD50-8 I/S Brg:				
	Transfer Case Kit	STCK242			
1988	231:				
	Transfer Case Kit	STCK231			
1988	242:				
	Transfer Case Kit	STCK242			

Jeep Cherokee, Comanche, Commander, Grand Cherokee, Liberty, Wagoneer

Differential			Differential (Cont.)		
Kit Front			Kit Rear (Cont.)		
2001-2000 Cherokee w/ Dana 30 & Low Pinion:			1998-1984 Dana 35 Axle:		
	Standard Seal & Bearing Kit	SDK334-TJ		Standard Seal & Bearing Kit	SDK335
	Master Seal & Bearing Kit	SDK334-TJMK		Master Seal & Bearing Kit	SDK335-MK
2000	Cherokee w/ Dana 30 w/o Low Pinion:		1992-1972 Dana 44 Axle:		
	Standard Seal & Bearing Kit	SDK334		Standard Seal & Bearing Kit	SDK339-B
	Master Seal & Bearing Kit	SDK334-MK		Master Seal & Bearing Kit	SDK339-BMK
2000-1984	Cherokee & Comanche w/ Dana 30 Axle:		1983-1980 AMC 20 Axle:		
	Standard Seal & Bearing Kit	SDK334		Standard Seal & Bearing Kit	SDK311-J
	Master Seal & Bearing Kit	SDK334-MK	Transfer Case		
1998-1997	Grand Cherokee w/ Dana 30 Axle:		Kit		
	Standard Seal & Bearing Kit	SDK334-TJ	2008-2002 242:		
	Master Seal & Bearing Kit	SDK334-TJMK		Transfer Case Kit	STCK242-CC
1990-1984	Wagoneer w/ Dana 30 Axle:		2008-1999 247:		
	Standard Seal & Bearing Kit	SDK334		Transfer Case Kit	STCK247
	Master Seal & Bearing Kit	SDK334-MK	2008-1994 242 w/ 6010N I/S Brg:		
1973-1971	Wagoneer w/ Dana 30 Axle:			Transfer Case Kit	STCK242-BB
	Standard Seal & Bearing Kit	SDK334	2001-2000 231 w/ 6010N I/S Brg:		
	Master Seal & Bearing Kit	SDK334-MK		Transfer Case Kit	STCK231-FF
Kit Rear			1998-1994 231 w/ 6010N I/S Brg:		
2010-2005	Grand Cherokee & Commander w/ 8.25" Ring Gear:			Transfer Case Kit	STCK231-FF
	Standard Seal & Bearing Kit	SDK303-B	1994-1987 231 w/ BD50-8 I/S Brg:		
	Master Seal & Bearing Kit	SDK303-BMK		Transfer Case Kit	STCK231
2010-1991	Cherokee & Liberty w/ 8.25" Ring Gear:		1993-1987 242 w/ BD50-8 I/S Brg:		
	Standard Seal & Bearing Kit	SDK303		Transfer Case Kit	STCK242
	Master Seal & Bearing Kit	SDK303-MK	1992-1987 231:		
2008-2002	Dana 35 Axle:			Transfer Case Kit	STCK231
	Standard Seal & Bearing Kit	SDK335-C	1992-1987 242:		
	Master Seal & Bearing Kit	SDK335-CMK		Transfer Case Kit	STCK242
2004-1996	Dana 44 Axle:		1986-1984 207:		
	Standard Seal & Bearing Kit	SDK339-A		Transfer Case Kit	STCK207
	Master Seal & Bearing Kit	SDK339-AMK	Transmission		
2001-1999	Cherokee w/ Dana 35 Axle:		Kit		
	Standard Seal & Bearing Kit	SDK335	1979-1971 4WD, T-18 Trans Mfr Code, 4 Speed:		
	Master Seal & Bearing Kit	SDK335-MK		Light Duty Kit	STK82-F
2001-1999	Grand Cherokee & Liberty w/ Dana 35 Axle:				
	Standard Seal & Bearing Kit	SDK335-C			
	Master Seal & Bearing Kit	SDK335-CMK			

Jeep Grand Wagoneer & J series

MFG./YEAR	MODEL & LOCATION	PART NO.	MFG./YEAR	MODEL & LOCATION	PART NO.
Differential			Transmission		
Kit Front			Kit		
1991-1974	Dana 44 Axle:		1983-1981	4WD, T-18 Trans Mfr Code, 4 Speed:	
	Standard Seal & Bearing Kit	SDK339-B		Light Duty Kit	STK82-F
	Master Seal & Bearing Kit	SDK339-BMK	1979-1965	4WD, T-18 Trans Mfr Code, 4 Speed:	
Kit Rear			Light Duty Kit		
1991-1974	Dana 44 Axle:				STK82-F
	Standard Seal & Bearing Kit	SDK339-B			
	Master Seal & Bearing Kit	SDK339-BMK			
1988-1974	Dana 60 Axle:				
	Standard Seal & Bearing Kit	SDK331			
1986-1980	AMC 20 Axle:				
	Standard Seal & Bearing Kit	SDK311-J			

Lincoln (RWD) Continental (thru 1987), Mark VI,VII,VIII, Town Car

Differential			Differential (Cont.)		
Kit Rear			Kit Rear (Cont.)		
2011-1980	8.80" Ring Gear:		1999	9.75" Ring Gear w/ 3.00" O.D. Pinion Cup:	
	Standard Seal & Bearing Kit	SDK311		Standard Seal & Bearing Kit	SDK316-A
	Master Seal & Bearing Kit	SDK311-MK		Master Seal & Bearing Kit	SDK316-AMK
2006-2000	9.75" Ring Gear:		1979-1970	9.00" 31 Spline STSP 5/11/1970 Ring Gear:	
	Standard Seal & Bearing Kit	SDK316-A		Standard Seal & Bearing Kit	SDK313
	Master Seal & Bearing Kit	SDK316-AMK		Master Seal & Bearing Kit	SDK313-MK
2005-1984	7.50" Ring Gear:				
	Standard Seal & Bearing Kit	SDK315			
	Master Seal & Bearing Kit	SDK315-MK			

Lincoln (RWD) Versailles

Differential		
Kit Rear		
1980-1977	9.00" Ring Gear:	
	Standard Seal & Bearing Kit	SDK313
	Master Seal & Bearing Kit	SDK313-MK

Lincoln Truck Aviator

Differential		
Kit Rear		
2005-2003	8.80" Ring Gear:	
	Standard Seal & Bearing Kit	SDK311

Lincoln Truck Blackwood

Differential		
Kit Rear		
2003-2002	9.75" Ring Gear:	
	Standard Seal & Bearing Kit	SDK316-A
	Master Seal & Bearing Kit	SDK316-AMK

Passenger cars, light & medium trucks

Lincoln Truck Mark LT

MFG./YEAR	MODEL & LOCATION	PART NO.	MFG./YEAR	MODEL & LOCATION	PART NO.
Differential Kit Rear 2008-2007 9.75" Ring Gear: Standard Seal & Bearing Kit SDK316-B Master Seal & Bearing Kit SDK316-BMK 2006 9.75" Ring Gear: Standard Seal & Bearing Kit SDK316-A Master Seal & Bearing Kit SDK316-AMK					

Lincoln Truck Navigator

Differential Kit Rear 2010-2007 9.75" Ring Gear: Standard Seal & Bearing Kit SDK316-B Master Seal & Bearing Kit SDK316-BMK 2006-2000 9.75" Ring Gear: Standard Seal & Bearing Kit SDK316-A Master Seal & Bearing Kit SDK316-AMK 1999 9.75" Ring Gear w/ 3.00" O.D. Pinion Cup: Standard Seal & Bearing Kit SDK316-A Master Seal & Bearing Kit SDK316-AMK			Transfer Case Kit 2002-1998 4406 Torque on Demand: Transfer Case Kit STCK4406		
---	--	--	---	--	--

Mazda Truck B4000

Transmission Kit 2000-1994 RWD & 5 Spd. M5R1 Trans.: Light Duty Kit STK247					
--	--	--	--	--	--

Mercury (RWD) (Full Size), Grand Marquis, Marauder, Marquis (thru 1982)

Differential Kit Rear 2011-1981 8.80" Ring Gear: Standard Seal & Bearing Kit SDK311 Master Seal & Bearing Kit SDK311-MK 1982-1981 7.50" Ring Gear: Standard Seal & Bearing Kit SDK315 Master Seal & Bearing Kit SDK315-MK			Differential (Cont.) Kit Rear (Cont.) 1980-1973 9.00" 31 Spline STSP 5/11/1970 Ring Gear: Standard Seal & Bearing Kit SDK313 Master Seal & Bearing Kit SDK313-MK		
--	--	--	---	--	--

Mercury (RWD) Bobcat

Differential Kit Rear 1980-1975 8.00" Ring Gear: Standard Seal & Bearing Kit SDK310 Master Seal & Bearing Kit SDK310-MK					
--	--	--	--	--	--

Mercury (RWD) Capri (thru 1986), Capri II

MFG./YEAR	MODEL & LOCATION	PART NO.	MFG./YEAR	MODEL & LOCATION	PART NO.
Differential					
Kit Rear					
1986	8.80" Ring Gear:				
	Standard Seal & Bearing Kit	SDK311			
	Master Seal & Bearing Kit	SDK311-MK			
1986-1979	7.50" Ring Gear:				
	Standard Seal & Bearing Kit	SDK315			
	Master Seal & Bearing Kit	SDK315-MK			

Mercury (RWD) Comet & Zephyr

Differential					
Kit Rear					
1983-1978	7.50" Ring Gear:				
	Standard Seal & Bearing Kit	SDK315			
	Master Seal & Bearing Kit	SDK315-MK			
1972-1964	8.00" Ring Gear:				
	Standard Seal & Bearing Kit	SDK310			
	Master Seal & Bearing Kit	SDK310-MK			

Mercury (RWD) Cougar

Differential					
Kit Rear					
1997-1988	8.80" Ring Gear:				
	Standard Seal & Bearing Kit	SDK311			
	Master Seal & Bearing Kit	SDK311-MK			
1997-1980	7.50" Ring Gear:				
	Standard Seal & Bearing Kit	SDK315			
	Master Seal & Bearing Kit	SDK315-MK			
1979-1970	9.00" 31 Spline STSP 5/11/1970 Ring Gear:				
	Standard Seal & Bearing Kit	SDK313			
	Master Seal & Bearing Kit	SDK313-MK			

Differential (Cont.)

Kit Rear (Cont.)

1970-1967	9.00" 28 Spline ENSP 5/10/70 Ring Gear:				
	Standard Seal & Bearing Kit	SDK312			
	Master Seal & Bearing Kit	SDK312-MK			
1968-1967	8.00" Ring Gear:				
	Standard Seal & Bearing Kit	SDK310			
	Master Seal & Bearing Kit	SDK310-MK			

Mercury (RWD) Marquis (from 1983), Monarch

Differential					
Kit Rear					
1986-1983	7.50" Ring Gear:				
	Standard Seal & Bearing Kit	SDK315			
	Master Seal & Bearing Kit	SDK315-MK			
1980-1975	8.00" Ring Gear:				
	Standard Seal & Bearing Kit	SDK310			
	Master Seal & Bearing Kit	SDK310-MK			

Differential (Cont.)

Kit Rear (Cont.)

1980-1975	9.00" Ring Gear:				
	Standard Seal & Bearing Kit	SDK313			
	Master Seal & Bearing Kit	SDK313-MK			

Mercury (RWD) Montego

Differential					
Kit Rear					
1976-1970	9.00" 31 Spline STSP 5/11/1970 Ring Gear:				
	Standard Seal & Bearing Kit	SDK313			
	Master Seal & Bearing Kit	SDK313-MK			
1970-1968	9.00" 28 Spline ENSP 5/10/70 Ring Gear:				
	Standard Seal & Bearing Kit	SDK312			
	Master Seal & Bearing Kit	SDK312-MK			

Passenger cars, light & medium trucks

Mercury Truck Mountaineer

MFG./YEAR	MODEL & LOCATION	PART NO.	MFG./YEAR	MODEL & LOCATION	PART NO.
Differential Kit Rear 2010-2008 w/ 8.80" Ring Gear & Independent Rr. Suspension: Standard Seal & Bearing Kit SDK311-D Master Seal & Bearing Kit SDK311-DMK 2001-1997 8.80" Ring Gear: Standard Seal & Bearing Kit SDK311 Master Seal & Bearing Kit SDK311-MK			Transfer Case Kit 2001-1998 4405 V-6 w/ Electric Shift: Transfer Case Kit STCK4405-AA		

Oldsmobile (RWD) (Full Size), Delta 88, 98 (thru 1984)

Differential Kit Rear 1985-1982 7.50" Ring Gear: Standard Seal & Bearing Kit SDK320 Master Seal & Bearing Kit SDK320-MK		
---	--	--

Oldsmobile (RWD) Cutlass, Cutlass Wagon, F-85

Differential Kit Rear 1988-1978 7.50" Ring Gear: Standard Seal & Bearing Kit SDK320 Master Seal & Bearing Kit SDK320-MK 1977-1970 8.50" Ring Gear: Standard Seal & Bearing Kit SDK321 Master Seal & Bearing Kit SDK321-MK		
--	--	--

Oldsmobile (RWD) Omega

Differential Kit Rear 1979-1973 8.50" Ring Gear: Standard Seal & Bearing Kit SDK321 Master Seal & Bearing Kit SDK321-MK		
---	--	--

Oldsmobile Truck Bravada

Differential Kit Rear 2004-2002 8.00" Ring Gear: Standard Seal & Bearing Kit SDK320-D Master Seal & Bearing Kit SDK320-DMK 2004-1999 7.50" Ring Gear: Standard Seal & Bearing Kit SDK320-C Master Seal & Bearing Kit SDK320-CMK 1998-1991 7.50" Ring Gear: Standard Seal & Bearing Kit SDK320 Master Seal & Bearing Kit SDK320-MK			Transfer Case Kit 2004-2002 126: Transfer Case Kit STCK226		
---	--	--	---	--	--

Plymouth (RWD) Barracuda, Duster, Valiant, Volare

MFG./YEAR	MODEL & LOCATION	PART NO.	MFG./YEAR	MODEL & LOCATION	PART NO.
Differential			Differential (Cont.)		
Kit Rear			Kit Rear (Cont.)		
1980-1970	8.25" & 8.375" Ring Gears:		1968-1960	8.75" Ring Gear w/ 1.75" Pinion Sh.:	
	Standard Seal & Bearing Kit	SDK303		Standard Seal & Bearing Kit	SDK300
	Master Seal & Bearing Kit	SDK303-MK			
1980-1960	7.25" Ring Gear:				
	Standard Seal & Bearing Kit	SDK302			
1974-1969	8.75" Ring Gear w/ 1.875" Pinion Sh.:				
	Standard Seal & Bearing Kit	SDK301			
1971-1970	Dana 60 Axle:				
	Standard Seal & Bearing Kit	SDK331			

Plymouth (RWD) Belvedere, Fury, Gran Fury, Gran Fury Salon, Road Runner, Satellite

Differential			Differential (Cont.)		
Kit Rear			Kit Rear (Cont.)		
1989-1980	8.25" & 8.375" Ring Gears:		1974-1969	8.75" Ring Gear w/ 1.875" Pinion Sh.:	
	Standard Seal & Bearing Kit	SDK303		Standard Seal & Bearing Kit	SDK301
	Master Seal & Bearing Kit	SDK303-MK	1972-1966	Dana 60 Axle:	
1989-1966	7.25" Ring Gear:			Standard Seal & Bearing Kit	SDK331
	Standard Seal & Bearing Kit	SDK302	1968-1957	8.75" Ring Gear w/ 1.75" Pinion Sh.:	
1981-1973	9.25" Ring Gear:			Standard Seal & Bearing Kit	SDK300
	Standard Seal & Bearing Kit	SDK304			
	Master Seal & Bearing Kit	SDK304-MK			
1979-1969	8.25" & 8.375" Ring Gears:				
	Standard Seal & Bearing Kit	SDK303			
	Master Seal & Bearing Kit	SDK303-MK			

Plymouth Truck Trailduster

Differential		
Kit Rear		
1981-1974	9.25" Ring Gear:	
	Standard Seal & Bearing Kit	SDK304
	Master Seal & Bearing Kit	SDK304-MK

Pontiac (RWD) Ventura II

Differential		
Kit Rear		
1977-1971	8.50" Ring Gear:	
	Standard Seal & Bearing Kit	SDK321
	Master Seal & Bearing Kit	SDK321-MK

Pontiac (RWD) (Full Size), Bonneville (thru 1986), Catalina, Grand Prix (thru 1987), Parisienne, Safari

Differential		
Kit Rear		
1989-1982	7.50" & 7.625" Ring Gears:	
	Standard Seal & Bearing Kit	SDK320
	Master Seal & Bearing Kit	SDK320-MK
1986-1970	8.50" Ring Gear:	
	Standard Seal & Bearing Kit	SDK321
	Master Seal & Bearing Kit	SDK321-MK

Passenger cars, light & medium trucks

Pontiac (RWD) Firebird, Grand Am (1980-73), GTO, Le Mans (thru 1981), Trans Am

MFG./YEAR	MODEL & LOCATION	PART NO.	MFG./YEAR	MODEL & LOCATION	PART NO.
Differential			Differential (Cont.)		
Kit Rear			Kit Rear (Cont.)		
2002-1999	7.50" Ring Gear:		1980-1978	7.50" Ring Gear:	
	Standard Seal & Bearing Kit	SDK320-C		Standard Seal & Bearing Kit	SDK320
	Master Seal & Bearing Kit	SDK320-CMK		Master Seal & Bearing Kit	SDK320-MK
1998-1982	7.50" & 7.625" Ring Gears:				
	Standard Seal & Bearing Kit	SDK320			
	Master Seal & Bearing Kit	SDK320-MK			
1981-1970	8.50" Ring Gear:				
	Standard Seal & Bearing Kit	SDK321			
	Master Seal & Bearing Kit	SDK321-MK			

Saab Truck 9-7X

Differential			Differential (Cont.)		
Kit Front			Kit Rear (Cont.)		
2008-2005	7.25" Ring Gear:		2008-2005	8.00" Ring Gear:	
	Standard Seal & Bearing Kit	SDK320-A		Standard Seal & Bearing Kit	SDK320-D
	Master Seal & Bearing Kit	SDK320-AMK		Master Seal & Bearing Kit	SDK320-DMK
Kit Rear			2006-2005	8.50" Ring Gear:	
2009	8.50" Ring Gear:			Standard Seal & Bearing Kit	SDK321-C
	Standard Seal & Bearing Kit	SDK321-Q		Master Seal & Bearing Kit	SDK321-CMK
	Master Seal & Bearing Kit	SDK321-QMK			
2008-2007	8.50" & 8.625" Ring Gears:				
	Standard Seal & Bearing Kit	SDK321-K			
	Master Seal & Bearing Kit	SDK321-KMK			

Notes

DIFFERENTIAL KIT CONTENTS—Light Duty

SDK300

APPLICATION	DESCRIPTION	PART NUMBER	QUANTITY
Differential Left/Right Hand	Tapered Roller Bearing (Cup)	BR25520	2
Differential Left/Right Hand	Tapered Roller Bearing (Cone)	BR25590	2
Pinion	Seal	18912	1
	<i>Speedi-Sleeve</i>	■ 99187	
Pinion Front Inner	Tapered Roller Bearing (Cup)	HM803110	1
Pinion Front Inner	Tapered Roller Bearing (Cone)	HM803149	1
Pinion Front Outer	Tapered Roller Bearing (Cup)	HM89410	1
Pinion Front Outer	Tapered Roller Bearing (Cone)	HM89443	1
Misc.	.5 ml Thread Locker	<input type="checkbox"/> TL1	1
Misc.	3 oz Silicone Blue	<input type="checkbox"/> Sealant	1
Misc.	Brush	<input type="checkbox"/> BRUSH1	1
Misc.	Gear Marking Compound	<input type="checkbox"/> 35V05	1
Misc.	Pinion Nut	<input type="checkbox"/> PN8-F	1
Misc.	Pre-Load Shim	<input type="checkbox"/> 183071	1

SDK301

APPLICATION	DESCRIPTION	PART NUMBER	QUANTITY
Differential Left/Right Hand	Tapered Roller Bearing (Cup)	LM104912	2
Differential Left/Right Hand	Tapered Roller Bearing (Cone)	LM104949	2
Pinion	Seal	18708	1
	<i>Speedi-Sleeve</i>	■ 99187	
Pinion Front Inner	Tapered Roller Bearing (Cup)	M804010	1
Pinion Front Inner	Tapered Roller Bearing (Cone)	M804049	1
Pinion Front Outer	Tapered Roller Bearing (Cup)	M88010	1
Pinion Front Outer	Tapered Roller Bearing (Cone)	M88048	1
Misc.	Crush Sleeve	<input type="checkbox"/> 183077	1
Misc.	.5 ml Thread Locker	<input type="checkbox"/> TL1	1
Misc.	3 oz Silicone Blue	<input type="checkbox"/> Sealant	1
Misc.	Brush	<input type="checkbox"/> BRUSH1	1
Misc.	Gear Marking Compound	<input type="checkbox"/> 35V05	1
Misc.	Pinion Nut	<input type="checkbox"/> PN8-F	1

SDK302

APPLICATION	DESCRIPTION	PART NUMBER	QUANTITY
Differential Left/Right Hand	Tapered Roller Bearing (Cup)	LM501310	2
Differential Left/Right Hand	Tapered Roller Bearing (Cone)	LM501349	2
Pinion	Seal	16805	1
	<i>Speedi-Sleeve</i>	■ 99168	
Pinion Front Inner	Tapered Roller Bearing (Cup)	HM88610	1
Pinion Front Inner	Tapered Roller Bearing (Cone)	HM88649	1
Pinion Front Outer	Tapered Roller Bearing (Cup)	M86610	1
Pinion Front Outer	Tapered Roller Bearing (Cone)	M86649	1
Misc.	Crush Sleeve	<input type="checkbox"/> 183975	1
Misc.	.5 ml Thread Locker	<input type="checkbox"/> TL1	1
Misc.	3 oz Silicone Blue	<input type="checkbox"/> Sealant	1
Misc.	Brush	<input type="checkbox"/> BRUSH1	1
Misc.	Gear Marking Compound	<input type="checkbox"/> 35V05	1
Misc.	Pinion Nut	<input type="checkbox"/> PN3	1
Misc.	Pinion Nut Washer	<input type="checkbox"/> 30275	1

Use Speedi-Sleeves to repair grooved shafts (Not Included)
 Not Sold Separately

DIFFERENTIAL KIT CONTENTS—Light Duty

SDK303

APPLICATION	DESCRIPTION	PART NUMBER	QUANTITY
Differential Left/Right Hand	Tapered Roller Bearing (Cup)	LM603012	2
Differential Left/Right Hand	Tapered Roller Bearing (Cone)	LM603049	2
Pinion	Seal (1.125" Shaft)	11111	1
	<i>Speedi-Sleeve</i>	■ 99112	
Pinion	Seal (1.688" Shaft)	16805	1
	<i>Speedi-Sleeve</i>	■ 99168	
Pinion Front Inner	Tapered Roller Bearing (Cup)	M802011	1
Pinion Front Inner	Tapered Roller Bearing (Cone)	M802048	1
Pinion Front Outer	Tapered Roller Bearing (Cup)	M86610	1
Pinion Front Outer	Tapered Roller Bearing (Cone)	M86649	1
Misc.	Crush Sleeve	□ 183975	1
Misc.5 ml Thread Locker	□ TL1	1
Misc.	3 oz Silicone Blue	□ Sealant	1
Misc.	Brush	□ BRUSH1	1
Misc.	Gear Marking Compound	□ 35V05	1
Misc.	Pinion Nut	□ PN3	1
Misc.	Pinion Nut Washer	□ 30275	1

SDK303-MK

APPLICATION	DESCRIPTION	PART NUMBER	QUANTITY
Differential Left/Right Hand	Tapered Roller Bearing (Cup)	LM603012	2
Differential Left/Right Hand	Tapered Roller Bearing (Cone)	LM603049	2
Pinion	Seal (1.125" Shaft)	11111	1
	<i>Speedi-Sleeve</i>	■ 99112	
Pinion	Seal (1.688" Shaft)	16805	1
	<i>Speedi-Sleeve</i>	■ 99168	
Pinion Front Inner	Tapered Roller Bearing (Cup)	M802011	1
Pinion Front Inner	Tapered Roller Bearing (Cone)	M802048	1
Pinion Front Outer	Tapered Roller Bearing (Cup)	M86610	1
Pinion Front Outer	Tapered Roller Bearing (Cone)	M86649	1
Misc.	Crush Sleeve	□ 183975	1
Misc.5 ml Thread Locker	□ TL1	1
Misc.	3 oz Silicone Blue	□ Sealant	1
Misc.	Brush	□ BRUSH1	1
Misc.	Gear Marking Compound	□ 35V05	1
Misc.	Pinion Nut	□ PN3	1
Misc.	Ring Gear Bolt	□ RGB1	10
Misc.	Pinion Shim Set	□ SK4	1
Misc.	Pinion Nut Washer	□ 30275	1

■ Use Speedi-Sleeves to repair grooved shafts (Not Included)

□ Not Sold Separately

DIFFERENTIAL KIT CONTENTS—Light Duty

SDK303-B

APPLICATION	DESCRIPTION	PART NUMBER	QUANTITY
Differential Left/Right Hand	Tapered Roller Bearing (Set)	BR36	2
Pinion	Seal	17307	1
Pinion Front Inner	Tapered Roller Bearing (Cup)	M802011	1
Pinion Front Inner	Tapered Roller Bearing (Cone)	M802048	1
Pinion Front Outer	Tapered Roller Bearing (Cup)	M86610	1
Pinion Front Outer	Tapered Roller Bearing (Cone)	M86649	1
Misc.	Crush Sleeve	<input type="checkbox"/> 183975	1
Misc.	.5 ml Thread Locker	<input type="checkbox"/> TL1	1
Misc.	3 oz Silicone Blue	<input type="checkbox"/> Sealant	1
Misc.	Brush	<input type="checkbox"/> BRUSH1	1
Misc.	Gear Marking Compound	<input type="checkbox"/> 35V05	1
Misc.	Pinion Nut	<input type="checkbox"/> PN3	1
Misc.	Pinion Nut Washer	<input type="checkbox"/> 30275	1

SDK303-BMK

APPLICATION	DESCRIPTION	PART NUMBER	QUANTITY
Differential Left/Right Hand	Tapered Roller Bearing (Set)	BR36	2
Pinion	Seal	17307	1
Pinion Front Inner	Tapered Roller Bearing (Cup)	M802011	1
Pinion Front Inner	Tapered Roller Bearing (Cone)	M802048	1
Pinion Front Outer	Tapered Roller Bearing (Cup)	M86610	1
Pinion Front Outer	Tapered Roller Bearing (Cone)	M86649	1
Misc.	Crush Sleeve	<input type="checkbox"/> 183975	1
Misc.	.5 ml Thread Locker	<input type="checkbox"/> TL1	1
Misc.	3 oz Silicone Blue	<input type="checkbox"/> Sealant	1
Misc.	Brush	<input type="checkbox"/> BRUSH1	1
Misc.	Gear Marking Compound	<input type="checkbox"/> 35V05	1
Misc.	Pinion Nut	<input type="checkbox"/> PN3	1
Misc.	Ring Gear Bolt	<input type="checkbox"/> RGB1	10
Misc.	Pinion Shim Set	<input type="checkbox"/> SK4	1
Misc.	Pinion Nut Washer	<input type="checkbox"/> 30275	1

SDK304

APPLICATION	DESCRIPTION	PART NUMBER	QUANTITY
Differential Left/Right Hand	Tapered Roller Bearing (Cup)	JLM704610	2
Differential Left/Right Hand	Tapered Roller Bearing (Cone)	JLM704649	2
Pinion	Seal	18708	1
	<i>Speedi-Sleeve</i>	■ 99187	
Pinion Front Inner	Tapered Roller Bearing (Cup)	M804010	1
Pinion Front Inner	Tapered Roller Bearing (Cone)	M804049	1
Pinion Front Outer	Tapered Roller Bearing (Set)	BR52	1
Misc.	Crush Sleeve	<input type="checkbox"/> 183925	1
Misc.	.5 ml Thread Locker	<input type="checkbox"/> TL1	1
Misc.	3 oz Silicone Blue	<input type="checkbox"/> Sealant	1
Misc.	Brush	<input type="checkbox"/> BRUSH1	1
Misc.	Gear Marking Compound	<input type="checkbox"/> 35V05	1
Misc.	Pinion Nut	<input type="checkbox"/> PN3	1

■ Use Speedi-Sleeves to repair grooved shafts (Not Included)

Not Sold Separately

DIFFERENTIAL KIT CONTENTS—Light Duty

SDK304-MK

APPLICATION	DESCRIPTION	PART NUMBER	QUANTITY
Differential Left/Right Hand	Tapered Roller Bearing (Cup)	JLM704610	2
Differential Left/Right Hand	Tapered Roller Bearing (Cone)	JLM704649	2
Pinion	Seal	18708	1
	<i>Speedi-Sleeve</i>	■ 99187	
Pinion Front Inner	Tapered Roller Bearing (Cup)	M804010	1
Pinion Front Inner	Tapered Roller Bearing (Cone)	M804049	1
Pinion Front Outer	Tapered Roller Bearing (Set)	BR52	1
Misc.	Crush Sleeve	<input type="checkbox"/> 183925	1
Misc.	.5 ml Thread Locker	<input type="checkbox"/> TL1	1
Misc.	3 oz Silicone Blue	<input type="checkbox"/> Sealant	1
Misc.	Brush	<input type="checkbox"/> BRUSH1	1
Misc.	Gear Marking Compound	<input type="checkbox"/> 35V05	1
Misc.	Pinion Nut	<input type="checkbox"/> PN3	1
Misc.	Ring Gear Bolt	<input type="checkbox"/> RGB2	12
Misc.	Pinion Shim Set	<input type="checkbox"/> SK3	1

SDK304-A

APPLICATION	DESCRIPTION	PART NUMBER	QUANTITY
Differential Left/Right Hand	Tapered Roller Bearing (Cup)	JLM704610	2
Differential Left/Right Hand	Tapered Roller Bearing (Cone)	JLM704649	2
Pinion	Seal	18852	1
	<i>Speedi-Sleeve</i>	■ 99189	
Pinion Front Inner	Tapered Roller Bearing (Cup)	M804010	1
Pinion Front Inner	Tapered Roller Bearing (Cone)	M804049	1
Pinion Front Outer	Tapered Roller Bearing (Cup)	M88010	1
Pinion Front Outer	Tapered Roller Bearing (Cone)	M88048	1
Misc.	Crush Sleeve	<input type="checkbox"/> 183925	1
Misc.	.5 ml Thread Locker	<input type="checkbox"/> TL1	1
Misc.	3 oz Silicone Blue	<input type="checkbox"/> Sealant	1
Misc.	Brush	<input type="checkbox"/> BRUSH1	1
Misc.	Gear Marking Compound	<input type="checkbox"/> 35V05	1
Misc.	Pinion Nut	<input type="checkbox"/> PN3	1

SDK304-AMK

APPLICATION	DESCRIPTION	PART NUMBER	QUANTITY
Differential Left/Right Hand	Tapered Roller Bearing (Cup)	JLM704610	2
Differential Left/Right Hand	Tapered Roller Bearing (Cone)	JLM704649	2
Pinion	Seal	18852	1
	<i>Speedi-Sleeve</i>	■ 99189	
Pinion Front Inner	Tapered Roller Bearing (Cup)	M804010	1
Pinion Front Inner	Tapered Roller Bearing (Cone)	M804049	1
Pinion Front Outer	Tapered Roller Bearing (Cup)	M88010	1
Pinion Front Outer	Tapered Roller Bearing (Cone)	M88048	1
Misc.	Crush Sleeve	<input type="checkbox"/> 183925	1
Misc.	.5 ml Thread Locker	<input type="checkbox"/> TL1	1
Misc.	3 oz Silicone Blue	<input type="checkbox"/> Sealant	1
Misc.	Brush	<input type="checkbox"/> BRUSH1	1
Misc.	Gear Marking Compound	<input type="checkbox"/> 35V05	1
Misc.	Pinion Nut	<input type="checkbox"/> PN3	1
Misc.	Ring Gear Bolt	<input type="checkbox"/> RGB2	12
Misc.	Pinion Shim Set	<input type="checkbox"/> SK3	1

Use Speedi-Sleeves to repair grooved shafts (Not Included)
 Not Sold Separately

DIFFERENTIAL KIT CONTENTS—Light Duty

SDK307

APPLICATION	DESCRIPTION	PART NUMBER	QUANTITY
Differential Left/Right Hand	Tapered Roller Bearing (Cup)	LM806610.....	2
Differential Left/Right Hand	Tapered Roller Bearing (Cone)	LM806649.....	2
Pinion.....	Seal.....	<input type="checkbox"/> 5103900AA.....	1
Pinion Front Inner.....	Tapered Roller Bearing (Cup)	HM803146.....	1
Pinion Front Inner.....	Tapered Roller Bearing (Cone)	HM803110.....	1
Pinion Front Outer.....	Tapered Roller Bearing (Cup)	M88010.....	1
Pinion Front Outer.....	Tapered Roller Bearing (Cone)	M88043.....	1
Misc.	Crush Sleeve	<input type="checkbox"/> CS352.....	1
Misc.5 ml Thread Locker	<input type="checkbox"/> TL1	1
Misc.	3 oz Silicone Blue	<input type="checkbox"/> Sealant	1
Misc.	Brush.....	<input type="checkbox"/> BRUSH1	1
Misc.	Gear Marking Compound.....	<input type="checkbox"/> 35V05.....	1
Misc.	Pinion Nut	<input type="checkbox"/> PN19.....	1

SDK307-MK

APPLICATION	DESCRIPTION	PART NUMBER	QUANTITY
Differential Left/Right Hand	Tapered Roller Bearing (Cup)	LM806610.....	2
Differential Left/Right Hand	Tapered Roller Bearing (Cone)	LM806649.....	2
Pinion.....	Seal.....	<input type="checkbox"/> 5103900AA.....	1
Pinion Front Inner.....	Tapered Roller Bearing (Cup)	HM803146.....	1
Pinion Front Inner.....	Tapered Roller Bearing (Cone)	HM803110.....	1
Pinion Front Outer.....	Tapered Roller Bearing (Cup)	M88010.....	1
Pinion Front Outer.....	Tapered Roller Bearing (Cone)	M88043.....	1
Misc.	Crush Sleeve	<input type="checkbox"/> CS352.....	1
Misc.5 ml Thread Locker	<input type="checkbox"/> TL1	1
Misc.	3 oz Silicone Blue	<input type="checkbox"/> Sealant	1
Misc.	Brush.....	<input type="checkbox"/> BRUSH1	1
Misc.	Gear Marking Compound.....	<input type="checkbox"/> 35V05.....	1
Misc.	Pinion Nut	<input type="checkbox"/> PN19.....	1
Misc.	Ring Gear Bolt	<input type="checkbox"/> RGB26.....	10
Misc.	Pinion Shim Set	<input type="checkbox"/> SK1.....	1
Misc.	Differential Shim Set	<input type="checkbox"/> SK13.....	1

SDK307-A

APPLICATION	DESCRIPTION	PART NUMBER	QUANTITY
Differential Left/Right Hand	Tapered Roller Bearing (Set)	<input type="checkbox"/> 32012-JR/1B.....	2
Pinion.....	Seal.....	<input type="checkbox"/> 68019031AB.....	1
Pinion Front Inner.....	Tapered Roller Bearing (Set)	<input type="checkbox"/> T7FC045.....	1
Pinion Front Outer.....	Tapered Roller Bearing (Set)	<input type="checkbox"/> 30307-DJR.....	1
Misc.	Crush Sleeve	<input type="checkbox"/> CS354.....	1
Misc.5 ml Thread Locker	<input type="checkbox"/> TL1	1
Misc.	3 oz Silicone Blue	<input type="checkbox"/> Sealant	1
Misc.	Brush.....	<input type="checkbox"/> BRUSH1	1
Misc.	Gear Marking Compound.....	<input type="checkbox"/> 35V05.....	1
Misc.	Pinion Nut	<input type="checkbox"/> PN21.....	1

■ Use Speedi-Sleeves to repair grooved shafts (Not Included)

Not Sold Separately

DIFFERENTIAL KIT CONTENTS—Light Duty

SDK307-AMK

APPLICATION	DESCRIPTION	PART NUMBER	QUANTITY
Differential Left/Right Hand	Tapered Roller Bearing (Set)	<input type="checkbox"/> 32012-JR/1B	2
Pinion	Seal	<input type="checkbox"/> 68019031AB	1
Pinion Front Inner	Tapered Roller Bearing (Set)	<input type="checkbox"/> T7FC045	1
Pinion Front Outer	Tapered Roller Bearing (Set)	<input type="checkbox"/> 30307-DJR	1
Misc.	Crush Sleeve	<input type="checkbox"/> CS354	1
Misc.	.5 ml Thread Locker	<input type="checkbox"/> TL1	1
Misc.	3 oz Silicone Blue	<input type="checkbox"/> Sealant	1
Misc.	Brush	<input type="checkbox"/> BRUSH1	1
Misc.	Gear Marking Compound	<input type="checkbox"/> 35V05	1
Misc.	Pinion Nut	<input type="checkbox"/> PN21	1
Misc.	Differential Shim Set	<input type="checkbox"/> SK13	1
Misc.	Ring Gear Bolt	<input type="checkbox"/> RGB26	10
Misc.	Pinion Shim Set	<input type="checkbox"/> SK1	1

SDK310

APPLICATION	DESCRIPTION	PART NUMBER	QUANTITY
Differential Left/Right Hand	Tapered Roller Bearing (Set)	BR35	2
Pinion	Seal	18100	1
	<i>Speedi-Sleeve</i>	<input checked="" type="checkbox"/> 99181	
Pinion Inner/Outer	Tapered Roller Bearing (Cup)	M86610	2
Pinion Inner/Outer	Tapered Roller Bearing (Cone)	M86649	2
Pinion Pilot	Cylindrical Roller Bearing	R1558-TAV	1
Misc.	Crush Sleeve	<input type="checkbox"/> 183080	1
Misc.	.5 ml Thread Locker	<input type="checkbox"/> TL1	1
Misc.	3 oz Silicone Blue	<input type="checkbox"/> Sealant	1
Misc.	Brush	<input type="checkbox"/> BRUSH1	1
Misc.	Gear Marking Compound	<input type="checkbox"/> 35V05	1
Misc.	Pinion Nut	<input type="checkbox"/> PN2	1
Misc.	O-Ring	<input type="checkbox"/> OR-241	1

SDK310-MK

APPLICATION	DESCRIPTION	PART NUMBER	QUANTITY
Differential Left/Right Hand	Tapered Roller Bearing (Set)	BR35	2
Pinion	Seal	18100	1
	<i>Speedi-Sleeve</i>	<input checked="" type="checkbox"/> 99181	
Pinion Inner/Outer	Tapered Roller Bearing (Cup)	M86610	2
Pinion Inner/Outer	Tapered Roller Bearing (Cone)	M86649	2
Pinion Pilot	Cylindrical Roller Bearing	R1558-TAV	1
Misc.	Crush Sleeve	<input type="checkbox"/> 183080	1
Misc.	.5 ml Thread Locker	<input type="checkbox"/> TL1	1
Misc.	3 oz Silicone Blue	<input type="checkbox"/> Sealant	1
Misc.	Brush	<input type="checkbox"/> BRUSH1	1
Misc.	Gear Marking Compound	<input type="checkbox"/> 35V05	1
Misc.	Pinion Nut	<input type="checkbox"/> PN2	1
Misc.	O-Ring	<input type="checkbox"/> OR-241	1
Misc.	Pinion Depth Shims	<input type="checkbox"/> SK6	1
Misc.	Ring Gear Bolt	<input type="checkbox"/> RGB3	10

Use Speedi-Sleeves to repair grooved shafts (Not Included)

Not Sold Separately

DIFFERENTIAL KIT CONTENTS—Light Duty

SDK311

APPLICATION	DESCRIPTION	PART NUMBER	QUANTITY
Differential Left/Right Hand	Tapered Roller Bearing (Set)	BR36	2
Pinion	Seal	18190	1
	<i>Speedi-Sleeve</i>	■ 99181	
Pinion Inner	Tapered Roller Bearing (Cup)	M802011	1
Pinion Inner	Tapered Roller Bearing (Cone)	M802048	1
Pinion Outer	Tapered Roller Bearing (Cup)	M88010	1
Pinion Outer	Tapered Roller Bearing (Cone)	M88048	1
Misc.	Crush Sleeve	<input type="checkbox"/> 183090	1
Misc.	.5 ml Thread Locker	<input type="checkbox"/> TL1	1
Misc.	3 oz Silicone Blue	<input type="checkbox"/> Sealant	1
Misc.	Brush	<input type="checkbox"/> BRUSH1	1
Misc.	Gear Marking Compound	<input type="checkbox"/> 35V05	1
Misc.	Pinion Nut	<input type="checkbox"/> PN2	1

SDK311-MK

APPLICATION	DESCRIPTION	PART NUMBER	QUANTITY
Differential Left/Right Hand	Tapered Roller Bearing (Set)	BR36	2
Pinion	Seal	18190	1
	<i>Speedi-Sleeve</i>	■ 99181	
Pinion Front Inner	Tapered Roller Bearing (Cup)	M802011	1
Pinion Front Inner	Tapered Roller Bearing (Cone)	M802048	1
Pinion Front Outer	Tapered Roller Bearing (Cup)	M88010	1
Pinion Front Outer	Tapered Roller Bearing (Cone)	M88048	1
Misc.	Crush Sleeve	<input type="checkbox"/> 183090	1
Misc.	.5 ml Thread Locker	<input type="checkbox"/> TL1	1
Misc.	3 oz Silicone Blue	<input type="checkbox"/> Sealant	1
Misc.	Brush	<input type="checkbox"/> BRUSH1	1
Misc.	Gear Marking Compound	<input type="checkbox"/> 35V05	1
Misc.	Pinion Nut	<input type="checkbox"/> PN2	1
Misc.	Ring Gear Bolt	<input type="checkbox"/> RGB3	10
Misc.	Pinion Shim Set	<input type="checkbox"/> SK4	1
Misc.	Differential Shim Set	<input type="checkbox"/> SK7	1

SDK311-D

APPLICATION	DESCRIPTION	PART NUMBER	QUANTITY
Differential Left/Right Hand	Tapered Roller Bearing (Cup)	LM603012	2
Differential Left/Right Hand	Tapered Roller Bearing (Cone)	LM603049	2
Pinion	Seal	18190	1
	<i>Speedi-Sleeve</i>	■ 99181	
Pinion Front Inner	Tapered Roller Bearing (Set)	<input type="checkbox"/> ST4190LFT	1
Pinion Front Outer	Tapered Roller Bearing (Cup)	<input type="checkbox"/> NP759177	1
Pinion Front Outer	Tapered Roller Bearing (Cone)	<input type="checkbox"/> NP966883	1
Misc.	Crush Sleeve	<input type="checkbox"/> CS311	1
Misc.	.5 ml Thread Locker	<input type="checkbox"/> TL1	1
Misc.	3 oz Silicone Blue	<input type="checkbox"/> Sealant	1
Misc.	Brush	<input type="checkbox"/> BRUSH1	1
Misc.	Gear Marking Compound	<input type="checkbox"/> 35V05	1
Misc.	Pinion Nut	<input type="checkbox"/> PN2	1

■ Use Speedi-Sleeves to repair grooved shafts (Not Included)

Not Sold Separately

DIFFERENTIAL KIT CONTENTS—Light Duty

SDK311-DMK

APPLICATION	DESCRIPTION	PART NUMBER	QUANTITY
Differential Left/Right Hand	Tapered Roller Bearing (Cup)	LM603012	2
Differential Left/Right Hand	Tapered Roller Bearing (Cone)	LM603049	2
Pinion.....	Seal.....	18190	1
	<i>Speedi-Sleeve</i>	■ 99181	
Pinion Front Inner.....	Tapered Roller Bearing (Set)	□ ST4190LFT.....	1
Pinion Front Outer	Tapered Roller Bearing (Cup)	□ NP759177.....	1
Pinion Front Outer	Tapered Roller Bearing (Cone)	□ NP966883.....	1
Misc.	Crush Sleeve	□ CS311	1
Misc.5 ml Thread Locker	□ TL1	1
Misc.	3 oz Silicone Blue	□ Sealant	1
Misc.	Brush.....	□ BRUSH1	1
Misc.	Gear Marking Compound.....	□ 35V05	1
Misc.	Pinion Nut	□ PN2.....	1
Misc.	Ring Gear Bolt	□ RGB3.....	10
Misc.	Pinion Shim Set	□ SK4.....	1
Misc.	Differential Shim Set	□ SK7.....	1

SDK311-E

APPLICATION	DESCRIPTION	PART NUMBER	QUANTITY
Differential Left/Right Hand	Tapered Roller Bearing (Cup)	LM603012	2
Differential Left/Right Hand	Tapered Roller Bearing (Cone)	LM603049	2
Pinion.....	Seal.....	18190	1
	<i>Speedi-Sleeve</i>	■ 99181	
Pinion Front Inner.....	Tapered Roller Bearing (Set)	□ STD4183KELFT	1
Pinion Front Outer	Tapered Roller Bearing (Cup)	M88010	1
Pinion Front Outer	Tapered Roller Bearing (Cone)	M88048	1
Misc.	Crush Sleeve	□ CS311	1
Misc.5 ml Thread Locker	□ TL1	1
Misc.	3 oz Silicone Blue	□ Sealant	1
Misc.	Brush.....	□ BRUSH1	1
Misc.	Gear Marking Compound.....	□ 35V05	1
Misc.	Pinion Nut	□ PN2.....	1

■ Use Speedi-Sleeves to repair grooved shafts (Not Included)

□ Not Sold Separately

DIFFERENTIAL KIT CONTENTS—Light Duty

SDK311-EMK

APPLICATION	DESCRIPTION	PART NUMBER	QUANTITY
Differential Left/Right Hand	Tapered Roller Bearing (Cup)	LM603012	2
Differential Left/Right Hand	Tapered Roller Bearing (Cone)	LM603049	2
Pinion	Seal	18190	1
	<i>Speedi-Sleeve</i>	■ 99181	
Pinion Front Inner	Tapered Roller Bearing (Set)	□ STD4183KELFT	1
Pinion Front Outer	Tapered Roller Bearing (Cup)	M88010	1
Pinion Front Outer	Tapered Roller Bearing (Cone)	M88048	1
Misc.	Crush Sleeve	□ CS311	1
Misc.5 ml Thread Locker	□ TL1	1
Misc.	3 oz Silicone Blue	□ Sealant	1
Misc.	Brush	□ BRUSH1	1
Misc.	Gear Marking Compound	□ 35V05	1
Misc.	Pinion Nut	□ PN2	1
Misc.	Ring Gear Bolt	□ RGB3	10
Misc.	Pinion Shim Set	□ SK4	1
Misc.	Differential Shim Set	□ SK7	1

SDK311-G

APPLICATION	DESCRIPTION	PART NUMBER	QUANTITY
Differential Left/Right Hand	Tapered Roller Bearing (Cup)	LM603012	2
Differential Left/Right Hand	Tapered Roller Bearing (Cone)	LM603049	2
Pinion	Seal	18190	1
	<i>Speedi-Sleeve</i>	■ 99181	
Pinion Front Inner	Tapered Roller Bearing (Set)	□ STD4183KELFT	1
Pinion Front Outer	Tapered Roller Bearing (Cup)	□ NP759177	1
Pinion Front Outer	Tapered Roller Bearing (Cone)	□ NP966883	1
Misc.	Crush Sleeve	□ CS311	1
Misc.5 ml Thread Locker	□ TL1	1
Misc.	3 oz Silicone Blue	□ Sealant	1
Misc.	Brush	□ BRUSH1	1
Misc.	Gear Marking Compound	□ 35V05	1
Misc.	Pinion Nut	□ PN2	1

■ Use Speedi-Sleeves to repair grooved shafts (Not Included)

□ Not Sold Separately

DIFFERENTIAL KIT CONTENTS—Light Duty

SDK311-GMK

APPLICATION	DESCRIPTION	PART NUMBER	QUANTITY
Differential Left/Right Hand	Tapered Roller Bearing (Cup)	LM603012	2
Differential Left/Right Hand	Tapered Roller Bearing (Cone)	LM603049	2
Pinion	Seal	18190	1
	<i>Speedi-Sleeve</i>	■ 99181	
Pinion Front Inner	Tapered Roller Bearing (Set)	□ STD4183KELFT	1
Pinion Front Outer	Tapered Roller Bearing (Cup)	□ NP759177	1
Pinion Front Outer	Tapered Roller Bearing (Cone)	□ NP966883	1
Misc.	Crush Sleeve	□ CS311	1
Misc.5 ml Thread Locker	□ TL1	1
Misc.	3 oz Silicone Blue	□ Sealant	1
Misc.	Brush	□ BRUSH1	1
Misc.	Gear Marking Compound	□ 35V05	1
Misc.	Pinion Nut	□ PN2	1
Misc.	Ring Gear Bolt	□ RGB3	10
Misc.	Pinion Shim Set	□ SK4	1
Misc.	Differential Shim Set	□ SK7	1

SDK311-J

APPLICATION	DESCRIPTION	PART NUMBER	QUANTITY
Differential Left/Right Hand	Tapered Roller Bearing (Cup)	LM603012	2
Differential Left/Right Hand	Tapered Roller Bearing (Cone)	LM603049	2
Pinion	Seal	18444	1
Pinion Front Inner	Tapered Roller Bearing (Cup)	M802011	1
Pinion Front Inner	Tapered Roller Bearing (Cone)	M802048	1
Pinion Front Outer	Tapered Roller Bearing (Cup)	M88010	1
Pinion Front Outer	Tapered Roller Bearing (Cone)	M88048	1
Misc.	Crush Sleeve	□ 183090	1
Misc.5 ml Thread Locker	□ TL1	1
Misc.	3 oz Silicone Blue	□ Sealant	1
Misc.	Brush	□ BRUSH1	1
Misc.	Gear Marking Compound	□ 35V05	1
Misc.	Pinion Nut	□ PN6	1

SDK312

APPLICATION	DESCRIPTION	PART NUMBER	QUANTITY
Differential Left/Right Hand	Tapered Roller Bearing (Set)	BR35	2
Pinion	Seal	18833	1
	<i>Speedi-Sleeve</i>	■ 99181	
Pinion Inner/Outer	Tapered Roller Bearing (Cup)	M88010	2
Pinion Inner/Outer	Tapered Roller Bearing (Cone)	M88048	2
Pinion Pilot	Cylindrical Roller Bearing	R1535-TAV	1
Misc.	Crush Sleeve	□ 183090	1
Misc.5 ml Thread Locker	□ TL1	1
Misc.	3 oz Silicone Blue	□ Sealant	1
Misc.	Brush	□ BRUSH1	1
Misc.	Gear Marking Compound	□ 35V05	1
Misc.	Pinion Nut	□ PN2	1
Misc.	O-Ring	□ OR-248	1
Misc.	Retaining Ring	□ R1535-CLIP	1

■ Use Speedi-Sleeves to repair grooved shafts (Not Included)

□ Not Sold Separately

DIFFERENTIAL KIT CONTENTS—Light Duty

SDK312-MK

APPLICATION	DESCRIPTION	PART NUMBER	QUANTITY
Differential Left/Right Hand	Tapered Roller Bearing (Set)	BR35	2
Pinion	Seal	18833	1
	<i>Speedi-Sleeve</i>	■ 99181	
Pinion Inner/Outer	Tapered Roller Bearing (Cup)	M88010	2
Pinion Inner/Outer	Tapered Roller Bearing (Cone)	M88048	2
Pinion Pilot	Cylindrical Roller Bearing	R1535-TAV	1
Misc.	Crush Sleeve	□ 183090	1
Misc.	.5 ml Thread Locker	□ TL1	1
Misc.	3 oz Silicone Blue	□ Sealant	1
Misc.	Brush	□ BRUSH1	1
Misc.	Gear Marking Compound	□ 35V05	1
Misc.	Pinion Nut	□ PN2	1
Misc.	O-Ring	□ OR-248	1
Misc.	Retaining Ring	□ R1535-CLIP	1
Misc.	Ring Gear Bolt	□ RGB4	10
Misc.	Pinion Shim Set	□ SK8	1

SDK313

APPLICATION	DESCRIPTION	PART NUMBER	QUANTITY
Differential Left/Right Hand	Tapered Roller Bearing (Set)	BR50	2
Pinion (1984 and Later)	Seal	18190	1
	<i>Speedi-Sleeve</i>	■ 99181	
Pinion (1983 and Earlier)	Seal	18833	1
	<i>Speedi-Sleeve</i>	■ 99181	
Pinion Inner/Outer	Tapered Roller Bearing (Set)	BR52	2
Pinion Pilot	Cylindrical Roller Bearing	R1535-TAV	1
Misc.	Crush Sleeve	□ 183090	1
Misc.	.5 ml Thread Locker	□ TL1	1
Misc.	3 oz Silicone Blue	□ Sealant	1
Misc.	Brush	□ BRUSH1	1
Misc.	Gear Marking Compound	□ 35V05	1
Misc.	Pinion Nut	□ PN2	1
Misc.	O-Ring	□ OR-248	1
Misc.	Retaining Ring	□ R1535-CLIP	1

■ Use Speedi-Sleeves to repair grooved shafts (Not Included)

□ Not Sold Separately

DIFFERENTIAL KIT CONTENTS—Light Duty

SDK313-MK

APPLICATION	DESCRIPTION	PART NUMBER	QUANTITY
Differential Left/Right Hand	Tapered Roller Bearing (Set)	BR50.....	2
Pinion (1984 and Later).....	Seal.....	18190.....	1
	<i>Speedi-Sleeve</i>	■ 99181	
Pinion (1983 and Earlier).....	Seal.....	18833.....	1
	<i>Speedi-Sleeve</i>	■ 99181	
Pinion Inner/Outer	Tapered Roller Bearing (Set)	BR52.....	2
Pinion Pilot.....	Cylindrical Roller Bearing.....	R1535-TAV	1
Misc.	Crush Sleeve	□ 183090.....	1
Misc.5 ml Thread Locker	□ TL1	1
Misc.	3 oz Silicone Blue	□ Sealant	1
Misc.	Gear Marking Compound.....	□ 35V05	1
Misc.	Brush.....	□ BRUSH1	1
Misc.	Pinion Nut	□ PN2.....	1
Misc.	Ring Gear Bolt	□ RGB4.....	10
Misc.	Pinion Shim Kit.....	□ SK8.....	1
Misc.	O-Ring.....	□ OR-248	1
Misc.	Retaining Ring	□ R1535-CLIP	1

SDK314

APPLICATION	DESCRIPTION	PART NUMBER	QUANTITY
Differential Left/Right Hand	Tapered Roller Bearing (Cup)	453-X.....	2
Differential Left/Right Hand	Tapered Roller Bearing (Cone)	BR469.....	2
Pinion.....	Seal.....	18024.....	1
	<i>Speedi-Sleeve</i>	■ 99181	
Pinion Inner	Tapered Roller Bearing (Cup)	HM807010	1
Pinion Inner	Tapered Roller Bearing (Cone)	HM807044	1
Pinion Outer.....	Tapered Roller Bearing (Cup)	HM89411	1
Pinion Outer.....	Tapered Roller Bearing (Cone)	HM89443	1
Misc.	Crush Sleeve	□ 183090.....	1
Misc.5 ml Thread Locker	□ TL1	1
Misc.	3 oz Silicone Blue	□ Sealant	1
Misc.	Brush.....	□ BRUSH1	1
Misc.	Gear Marking Compound.....	□ 35V05	1
Misc.	Pinion Nut	□ PN6.....	1

■ Use Speedi-Sleeves to repair grooved shafts (Not Included)

□ Not Sold Separately

DIFFERENTIAL KIT CONTENTS—Light Duty

SDK314-MK

APPLICATION	DESCRIPTION	PART NUMBER	QUANTITY
Differential Left/Right Hand	Tapered Roller Bearing (Cup)	453-X	2
Differential Left/Right Hand	Tapered Roller Bearing (Cone)	BR469	2
Pinion.....	Seal.....	18024.....	1
	<i>Speedi-Sleeve</i>	■ 99181	
Pinion Inner	Tapered Roller Bearing (Cup)	HM807010	1
Pinion Inner	Tapered Roller Bearing (Cone)	HM807044	1
Pinion Outer.....	Tapered Roller Bearing (Cup)	HM89411	1
Pinion Outer.....	Tapered Roller Bearing (Cone)	HM89443	1
Misc.	Crush Sleeve	<input type="checkbox"/> 183090.....	1
Misc.5 ml Thread Locker	<input type="checkbox"/> TL1	1
Misc.	3 oz Silicone Blue	<input type="checkbox"/> Sealant	1
Misc.	Brush.....	<input type="checkbox"/> BRUSH1	1
Misc.	Gear Marking Compound.....	<input type="checkbox"/> 35V05	1
Misc.	Pinion Nut	<input type="checkbox"/> PN6	1
Misc.	Ring Gear Bolt	<input type="checkbox"/> RGB6.....	12
Misc.	Differential Shim Set	<input type="checkbox"/> SK10.....	1
Misc.	Pinion Shim Set	<input type="checkbox"/> SK3	1

SDK315

APPLICATION	DESCRIPTION	PART NUMBER	QUANTITY
Differential Left/Right Hand	Tapered Roller Bearing (Set)	BR72.....	2
Pinion.....	Seal.....	18190.....	1
	<i>Speedi-Sleeve</i>	■ 99181	
Pinion Inner	Tapered Roller Bearing (Cup)	M802011	1
Pinion Inner	Tapered Roller Bearing (Cone)	M802048	1
Pinion Outer.....	Tapered Roller Bearing (Cup)	M88010	1
Pinion Outer.....	Tapered Roller Bearing (Cone)	M88048	1
Misc.	Crush Sleeve	<input type="checkbox"/> 183090.....	1
Misc.5 ml Thread Locker	<input type="checkbox"/> TL1	1
Misc.	3 oz Silicone Blue	<input type="checkbox"/> Sealant	1
Misc.	Brush.....	<input type="checkbox"/> BRUSH1	1
Misc.	Gear Marking Compound.....	<input type="checkbox"/> 35V05	1
Misc.	Pinion Nut	<input type="checkbox"/> PN2.....	1

■ Use Speedi-Sleeves to repair grooved shafts (Not Included)

Not Sold Separately

DIFFERENTIAL KIT CONTENTS—Light Duty

SDK315-MK

APPLICATION	DESCRIPTION	PART NUMBER	QUANTITY
Differential Left/Right Hand	Tapered Roller Bearing (Set)	BR72	2
Pinion	Seal	18190	1
	<i>Speedi-Sleeve</i>	■ 99181	
Pinion Inner	Tapered Roller Bearing (Cup)	M802011	1
Pinion Inner	Tapered Roller Bearing (Cone)	M802048	1
Pinion Outer	Tapered Roller Bearing (Cup)	M88010	1
Pinion Outer	Tapered Roller Bearing (Cone)	M88048	1
Misc.	Crush Sleeve	□ 183090	1
Misc.	.5 ml Thread Locker	□ TL1	1
Misc.	3 oz Silicone Blue	□ Sealant	1
Misc.	Brush	□ BRUSH1	1
Misc.	Gear Marking Compound	□ 35V05	1
Misc.	Pinion Nut	□ PN2	1
Misc.	Differential Shim Set	□ SK11	1
Misc.	Pinion Shim Set	□ SK4	1
Misc.	Ring Gear Bolt	□ RGB3	10

SDK316-A

APPLICATION	DESCRIPTION	PART NUMBER	QUANTITY
Differential	Tapered Roller Bearing (Cup)	NP372019	2
Differential	Tapered Roller Bearing (Cone)	NP343847	2
Pinion	Seal	18024	1
	<i>Speedi-Sleeve</i>	■ 99181	
Pinion Outer	Tapered Roller Bearing (Cup)	HM89411	1
Pinion Outer	Tapered Roller Bearing (Cone)	HM89443	1
Differential	Tapered Roller Bearing (Cup)	NP372019	2
Differential	Tapered Roller Bearing (Cone)	NP343847	2
Pinion Inner	Tapered Roller Bearing (Cup)	NP434567	1
Pinion Inner	Tapered Roller Bearing (Cone)	NP576375	1
Misc.	Crush Sleeve	□ 183090	1
Misc.	.5 ml Thread Locker	□ TL1	1
Misc.	3 oz Silicone Blue	□ Sealant	1
Misc.	Brush	□ BRUSH1	1
Misc.	Gear Marking Compound	□ 35V05	1
Misc.	Pinion Nut	□ PN6	1

■ Use Speedi-Sleeves to repair grooved shafts (Not Included)

□ Not Sold Separately

DIFFERENTIAL KIT CONTENTS—Light Duty

SDK316-AMK

APPLICATION	DESCRIPTION	PART NUMBER	QUANTITY
Differential	Tapered Roller Bearing (Cup)	NP372019	2
Differential	Tapered Roller Bearing (Cone)	NP343847	2
Pinion	Seal	18024	1
	<i>Speedi-Sleeve</i>	■ 99181	
Pinion Outer	Tapered Roller Bearing (Cup)	HM89411	1
Pinion Outer	Tapered Roller Bearing (Cone)	HM89443	1
Pinion Inner	Tapered Roller Bearing (Cup)	NP434567	1
Pinion Inner	Tapered Roller Bearing (Cone)	NP576375	1
Misc.	Crush Sleeve	□ 183090	1
Misc.	.5 ml Thread Locker	□ TL1	1
Misc.	3 oz Silicone Blue	□ Sealant	1
Misc.	Brush	□ BRUSH1	1
Misc.	Gear Marking Compound	□ 35V05	1
Misc.	Pinion Nut	□ PN6	1
Misc.	Ring Gear Bolt	□ RGB18	12
Misc.	Pinion Shim Set	□ SK41	1
Misc.	Differential Shim Set	□ SK42	1

SDK316-B

APPLICATION	DESCRIPTION	PART NUMBER	QUANTITY
Differential Left/Right Hand	Tapered Roller Bearing (Cup)	□ NP847706	2
Differential Left/Right Hand	Tapered Roller Bearing (Cone)	□ NP912771	2
Pinion	Seal	18024	1
	<i>Speedi-Sleeve</i>	■ 99181	
Pinion Outer	Tapered Roller Bearing (Cup)	□ NP244986	1
Pinion Outer	Tapered Roller Bearing (Cone)	□ NP665996	1
Pinion Inner	Tapered Roller Bearing (Set)	□ KEST3376LFT	1
Misc.	Crush Sleeve	□ CS311	1
Misc.	.5 ml Thread Locker	□ TL1	1
Misc.	3 oz Silicone Blue	□ Sealant	1
Misc.	Brush	□ BRUSH1	1
Misc.	Gear Marking Compound	□ 35V05	1
Misc.	Pinion Nut	□ PN6	1

■ Use Speedi-Sleeves to repair grooved shafts (Not Included)

□ Not Sold Separately

DIFFERENTIAL KIT CONTENTS—Light Duty

SDK316-BMK

APPLICATION	DESCRIPTION	PART NUMBER	QUANTITY
Differential Left/Right Hand	Tapered Roller Bearing (Cup)	<input type="checkbox"/> NP847706.....	2
Differential Left/Right Hand	Tapered Roller Bearing (Cone)	<input type="checkbox"/> NP912771.....	2
Pinion.....	Seal.....	18024.....	1
	<i>Speedi-Sleeve</i>	■ 99181	
Pinion Outer.....	Tapered Roller Bearing (Cup)	<input type="checkbox"/> NP244986.....	1
Pinion Outer.....	Tapered Roller Bearing (Cone)	<input type="checkbox"/> NP665996.....	1
Pinion Inner	Tapered Roller Bearing (Set)	<input type="checkbox"/> KEST3376LFT.....	1
Misc.	Crush Sleeve	<input type="checkbox"/> CS311.....	1
Misc.5 ml Thread Locker	<input type="checkbox"/> TL1	1
Misc.	3 oz Silicone Blue	<input type="checkbox"/> Sealant	1
Misc.	Brush.....	<input type="checkbox"/> BRUSH1.....	1
Misc.	Gear Marking Compound.....	<input type="checkbox"/> 35V05.....	1
Misc.	Pinion Nut	<input type="checkbox"/> PN6.....	1
Misc.	Ring Gear Bolt	<input type="checkbox"/> RGB18.....	12
Misc.	Differential Shim Set	<input type="checkbox"/> SK42.....	1
Misc.	Pinion Shim Set	<input type="checkbox"/> SK41.....	1

SDK317

APPLICATION	DESCRIPTION	PART NUMBER	QUANTITY
Differential Left/Right Hand	Tapered Roller Bearing (Cup)	453-X.....	2
Differential Left/Right Hand	Tapered Roller Bearing (Cone)	BR469.....	2
Pinion.....	Seal.....	18024.....	1
	<i>Speedi-Sleeve</i>	■ 99181	
Pinion Outer.....	Tapered Roller Bearing (Cup)	HM89411	1
Pinion Outer.....	Tapered Roller Bearing (Cone)	HM89443	1
Pinion Inner	Tapered Roller Bearing (Cup)	NP949481.....	1
Pinion Inner	Tapered Roller Bearing (Cone)	NP504493.....	1
Misc.	Crush Sleeve	<input type="checkbox"/> 183090.....	1
Misc.5 ml Thread Locker	<input type="checkbox"/> TL1	1
Misc.	3 oz Silicone Blue	<input type="checkbox"/> Sealant	1
Misc.	Brush.....	<input type="checkbox"/> BRUSH1.....	1
Misc.	Gear Marking Compound.....	<input type="checkbox"/> 35V05.....	1
Misc.	Pinion Nut	<input type="checkbox"/> PN6.....	1

■ Use Speedi-Sleeves to repair grooved shafts (Not Included)

Not Sold Separately

DIFFERENTIAL KIT CONTENTS—Light Duty

SDK317-MK

APPLICATION	DESCRIPTION	PART NUMBER	QUANTITY
Differential Left/Right Hand	Tapered Roller Bearing (Cup)	453-X	2
Differential Left/Right Hand	Tapered Roller Bearing (Cone)	BR469	2
Pinion	Seal	18024	1
	<i>Speedi-Sleeve</i>	■ 99181	
Pinion Outer	Tapered Roller Bearing (Cup)	HM89411	1
Pinion Outer	Tapered Roller Bearing (Cone)	HM89443	1
Pinion Inner	Tapered Roller Bearing (Cup)	NP949481	1
Pinion Inner	Tapered Roller Bearing (Cone)	NP504493	1
Misc.	Crush Sleeve	□ 183090	1
Misc.	.5 ml Thread Locker	□ TL1	1
Misc.	3 oz Silicone Blue	□ Sealant	1
Misc.	Brush	□ BRUSH1	1
Misc.	Gear Marking Compound	□ 35V05	1
Misc.	Pinion Nut	□ PN6	1
Misc.	Ring Gear Bolt	□ RGB6	12
Misc.	Differential Shim Set	□ SK10	1
Misc.	Pinion Shim Set	□ SK3	1

SDK317-A

APPLICATION	DESCRIPTION	PART NUMBER	QUANTITY
Differential Left/Right Hand	Tapered Roller Bearing (Cup)	453-X	2
Differential Left/Right Hand	Tapered Roller Bearing (Cone)	BR469	2
Pinion	Seal	18024	1
	<i>Speedi-Sleeve</i>	■ 99181	
Pinion Outer	Tapered Roller Bearing (Cup)	□ NP998236	1
Pinion Outer	Tapered Roller Bearing (Cone)	□ NP761271	1
Pinion Inner	Tapered Roller Bearing (Cup)	HM89411	1
Pinion Inner	Tapered Roller Bearing (Cone)	HM89443	1
Misc.	Crush Sleeve	□ CS311A	1
Misc.	.5 ml Thread Locker	□ TL1	1
Misc.	3 oz Silicone Blue	□ Sealant	1
Misc.	Brush	□ BRUSH1	1
Misc.	Gear Marking Compound	□ 35V05	1
Misc.	Pinion Nut	□ PN6	1

■ Use Speedi-Sleeves to repair grooved shafts (Not Included)

□ Not Sold Separately

DIFFERENTIAL KIT CONTENTS—Light Duty

SDK317-AMK

APPLICATION	DESCRIPTION	PART NUMBER	QUANTITY
Differential Left/Right Hand	Tapered Roller Bearing (Cup)	453-X	2
Differential Left/Right Hand	Tapered Roller Bearing (Cone)	BR469	2
Pinion	Seal	18024	1
	<i>Speedi-Sleeve</i>	■ 99181	
Pinion Outer	Tapered Roller Bearing (Cup)	□ NP998236	1
Pinion Outer	Tapered Roller Bearing (Cone)	□ NP761271	1
Pinion Inner	Tapered Roller Bearing (Cup)	HM89411	1
Pinion Inner	Tapered Roller Bearing (Cone)	HM89443	1
Misc.	Crush Sleeve	□ CS311A	1
Misc.5 ml Thread Locker	□ TL1	1
Misc.	3 oz Silicone Blue	□ Sealant	1
Misc.	Brush	□ BRUSH1	1
Misc.	Gear Marking Compound	□ 35V05	1
Misc.	Pinion Nut	□ PN6	1
Misc.	Ring Gear Bolt	□ RGB6	12
Misc.	Differential Shim Set	□ SK10	1
Misc.	Pinion Shim Set	□ SK3	1

SDK320

APPLICATION	DESCRIPTION	PART NUMBER	QUANTITY
Differential Left/Right Hand	Tapered Roller Bearing (Set)	BR72	2
Pinion	Seal	15315	1
	<i>Speedi-Sleeve</i>	■ 99152	
Pinion Inner	Tapered Roller Bearing (Cup)	HM89210	1
Pinion Inner	Tapered Roller Bearing (Cone)	HM89249	1
Pinion Outer	Tapered Roller Bearing (Cup)	M86610	1
Pinion Outer	Tapered Roller Bearing (Cone)	M86649	1
Misc.	Crush Sleeve	□ 183075	1
Misc.5 ml Thread Locker	□ TL1	1
Misc.	3 oz Silicone Blue	□ Sealant	1
Misc.	Brush	□ BRUSH1	1
Misc.	Gear Marking Compound	□ 35V05	1
Misc.	Pinion Nut	□ PN3	1

■ Use Speedi-Sleeves to repair grooved shafts (Not Included)

□ Not Sold Separately

DIFFERENTIAL KIT CONTENTS—Light Duty

SDK320-MK

APPLICATION	DESCRIPTION	PART NUMBER	QUANTITY
Differential Left/Right Hand	Tapered Roller Bearing (Set)	BR72	2
Pinion	Seal	15315	1
	<i>Speedi-Sleeve</i>	■ 99152	
Pinion Inner	Tapered Roller Bearing (Cup)	HM89210	1
Pinion Inner	Tapered Roller Bearing (Cone)	HM89249	1
Pinion Outer	Tapered Roller Bearing (Cup)	M86610	1
Pinion Outer	Tapered Roller Bearing (Cone)	M86649	1
Misc.	Crush Sleeve	□ 183075	1
Misc.	.5 ml Thread Locker	□ TL1	1
Misc.	3 oz Silicone Blue	□ Sealant	1
Misc.	Brush	□ BRUSH1	1
Misc.	Gear Marking Compound	□ 35V05	1
Misc.	Pinion Nut	□ PN3	1
Misc.	Ring Gear Bolt	□ RGB2	10
Misc.	Differential Shim Set	□ SK11	1
Misc.	Pinion Shim Set	□ SK12	1

SDK320-A

APPLICATION	DESCRIPTION	PART NUMBER	QUANTITY
Differential	Tapered Roller Bearing (Cup)	JL69310	2
Differential	Tapered Roller Bearing (Cone)	JL69349	2
Pinion	Seal	15306	1
	<i>Speedi-Sleeve</i>	■ 99152	
Pinion Outer	Tapered Roller Bearing (Cup)	M86610	1
Pinion Outer	Tapered Roller Bearing (Cone)	M86649	1
Pinion Inner	Tapered Roller Bearing (Cup)	M88010	1
Pinion Inner	Tapered Roller Bearing (Cone)	M88048-S	1
Misc.	Crush Sleeve	□ 183072	1
Misc.	.5 ml Thread Locker	□ TL1	1
Misc.	3 oz Silicone Blue	□ Sealant	1
Misc.	Brush	□ BRUSH1	1
Misc.	Gear Marking Compound	□ 35V05	1
Misc.	Pinion Nut	□ PN3	1

■ Use Speedi-Sleeves to repair grooved shafts (Not Included)

□ Not Sold Separately

DIFFERENTIAL KIT CONTENTS—Light Duty

SDK320-AMK

APPLICATION	DESCRIPTION	PART NUMBER	QUANTITY
Differential	Tapered Roller Bearing (Cup)	JL69310	2
Differential	Tapered Roller Bearing (Cone)	JL69349	2
Pinion	Seal	15306	1
	<i>Speedi-Sleeve</i>	■ 99152	
Pinion Outer	Tapered Roller Bearing (Cup)	M86610	1
Pinion Outer	Tapered Roller Bearing (Cone)	M86649	1
Pinion Inner	Tapered Roller Bearing (Cup)	M88010	1
Pinion Inner	Tapered Roller Bearing (Cone)	M88048-S	1
Misc.	Crush Sleeve	□ 183072	1
Misc.	.5 ml Thread Locker	□ TL1	1
Misc.	3 oz Silicone Blue	□ Sealant	1
Misc.	Brush	□ BRUSH1	1
Misc.	Gear Marking Compound	□ 35V05	1
Misc.	Pinion Nut	□ PN3	1
Misc.	Pinion Shim Set	□ SK12	1
Misc.	Ring Gear Bolt	□ RGB2	10

SDK320-C

APPLICATION	DESCRIPTION	PART NUMBER	QUANTITY
Differential Left/Right Hand	Tapered Roller Bearing (Set)	BR72	2
Pinion	Seal	17407	1
Pinion Inner	Tapered Roller Bearing (Cup)	HM89210	1
Pinion Inner	Tapered Roller Bearing (Cone)	HM89249	1
Pinion Outer	Tapered Roller Bearing (Cup)	M86610	1
Pinion Outer	Tapered Roller Bearing (Cone)	M86649	1
Misc.	Crush Sleeve	□ 183075	1
Misc.	.5 ml Thread Locker	□ TL1	1
Misc.	3 oz Silicone Blue	□ Sealant	1
Misc.	Brush	□ BRUSH1	1
Misc.	Gear Marking Compound	□ 35V05	1
Misc.	Pinion Nut	□ PN3	1

SDK320-CMK

APPLICATION	DESCRIPTION	PART NUMBER	QUANTITY
Differential Left/Right Hand	Tapered Roller Bearing (Set)	BR72	2
Pinion	Seal	17407	1
Pinion Inner	Tapered Roller Bearing (Cup)	HM89210	1
Pinion Inner	Tapered Roller Bearing (Cone)	HM89249	1
Pinion Outer	Tapered Roller Bearing (Cup)	M86610	1
Pinion Outer	Tapered Roller Bearing (Cone)	M86649	1
Misc.	Crush Sleeve	□ 183075	1
Misc.	.5 ml Thread Locker	□ TL1	1
Misc.	3 oz Silicone Blue	□ Sealant	1
Misc.	Brush	□ BRUSH1	1
Misc.	Gear Marking Compound	□ 35V05	1
Misc.	Pinion Nut	□ PN3	1
Misc.	Ring Gear Bolt	□ RGB2	10
Misc.	Differential Shim Set	□ SK11	1
Misc.	Pinion Shim Set	□ SK12	1

Use Speedi-Sleeves to repair grooved shafts (Not Included)
 Not Sold Separately

DIFFERENTIAL KIT CONTENTS—Light Duty

SDK320-D

APPLICATION	DESCRIPTION	PART NUMBER	QUANTITY
Differential Left/Right Hand	Tapered Roller Bearing (Set)	BR36	2
Pinion	Seal	17407	1
Pinion Inner	Tapered Roller Bearing (Cup)	M802011	1
Pinion Inner	Tapered Roller Bearing (Cone)	M802048	1
Pinion Outer	Tapered Roller Bearing (Cup)	M86610	1
Pinion Outer	Tapered Roller Bearing (Cone)	M86649	1
Misc.	Crush Sleeve	<input type="checkbox"/> 183075	1
Misc.	.5 ml Thread Locker	<input type="checkbox"/> TL1	1
Misc.	3 oz Silicone Blue	<input type="checkbox"/> Sealant	1
Misc.	Brush	<input type="checkbox"/> BRUSH1	1
Misc.	Gear Marking Compound	<input type="checkbox"/> 35V05	1
Misc.	Pinion Nut	<input type="checkbox"/> PN3	1

SDK320-DMK

APPLICATION	DESCRIPTION	PART NUMBER	QUANTITY
Differential Left/Right Hand	Tapered Roller Bearing (Set)	BR36	2
Pinion	Seal	17407	1
Pinion Inner	Tapered Roller Bearing (Cup)	M802011	1
Pinion Inner	Tapered Roller Bearing (Cone)	M802048	1
Pinion Outer	Tapered Roller Bearing (Cup)	M86610	1
Pinion Outer	Tapered Roller Bearing (Cone)	M86649	1
Misc.	Crush Sleeve	<input type="checkbox"/> 183075	1
Misc.	.5 ml Thread Locker	<input type="checkbox"/> TL1	1
Misc.	3 oz Silicone Blue	<input type="checkbox"/> Sealant	1
Misc.	Brush	<input type="checkbox"/> BRUSH1	1
Misc.	Gear Marking Compound	<input type="checkbox"/> 35V05	1
Misc.	Pinion Nut	<input type="checkbox"/> PN3	1
Misc.	Ring Gear Bolt	<input type="checkbox"/> RGB22	10
Misc.	Pinion Shim Set	<input type="checkbox"/> SK4	1
Misc.	Differential Shim Set	<input type="checkbox"/> SK7	1

SDK321

APPLICATION	DESCRIPTION	PART NUMBER	QUANTITY
Differential Left/Right Hand	Tapered Roller Bearing (Set)	BR72	2
Pinion (Rear Axles)	Seal	19273	1
	<i>Speedi-Sleeve</i>	<input checked="" type="checkbox"/> 99193	
Pinion (Front Axles)	Seal	19277	1
	<i>Speedi-Sleeve</i>	<input checked="" type="checkbox"/> 99193	
Pinion Inner	Tapered Roller Bearing (Cup)	M802011	1
Pinion Inner	Tapered Roller Bearing (Cone)	M802048	1
Pinion Outer	Tapered Roller Bearing (Cup)	M88010	1
Pinion Outer	Tapered Roller Bearing (Cone)	M88048	1
Misc.	Crush Sleeve	<input type="checkbox"/> CS321	1
Misc.	.5 ml Thread Locker	<input type="checkbox"/> TL1	1
Misc.	3 oz Silicone Blue	<input type="checkbox"/> Sealant	1
Misc.	Brush	<input type="checkbox"/> BRUSH1	1
Misc.	Gear Marking Compound	<input type="checkbox"/> 35V05	1
Misc.	Pinion Nut	<input type="checkbox"/> PN3	1

Use Speedi-Sleeves to repair grooved shafts (Not Included)

Not Sold Separately

DIFFERENTIAL KIT CONTENTS—Light Duty

SDK321-MK

APPLICATION	DESCRIPTION	PART NUMBER	QUANTITY
Differential Left/Right Hand	Tapered Roller Bearing (Set)	BR72.....	2
Pinion (Rear Axles).....	Seal.....	19273.....	1
	<i>Speedi-Sleeve</i>	■ 99193	
Pinion (Front Axles)	Seal.....	19277.....	1
	<i>Speedi-Sleeve</i>	■ 99193	
Pinion Inner	Tapered Roller Bearing (Cup)	M802011	1
Pinion Inner	Tapered Roller Bearing (Cone)	M802048.....	1
Pinion Outer.....	Tapered Roller Bearing (Cup)	M88010.....	1
Pinion Outer.....	Tapered Roller Bearing (Cone)	M88048.....	1
Misc.	Crush Sleeve	□ CS321.....	1
Misc.5 ml Thread Locker	□ TL1	1
Misc.	3 oz Silicone Blue	□ Sealant	1
Misc.	Brush.....	□ BRUSH1	1
Misc.	Gear Marking Compound.....	□ 35V05	1
Misc.	Pinion Nut	□ PN3.....	1
Misc.	Ring Gear Bolt	□ RGB2.....	10
Misc.	Differential Shim Set	□ SK11	1
Misc.	Pinion Shim Set	□ SK4.....	1

SDK321-A

APPLICATION	DESCRIPTION	PART NUMBER	QUANTITY
Differential Left/Right Hand	Tapered Roller Bearing (Set)	BR72.....	2
Pinion.....	Seal.....	19428.....	1
	<i>Speedi-Sleeve</i>	■ 99193	
Pinion Inner	Tapered Roller Bearing (Cup)	M802011	1
Pinion Inner	Tapered Roller Bearing (Cone)	M802048.....	1
Pinion Outer.....	Tapered Roller Bearing (Cup)	M88010.....	1
Pinion Outer.....	Tapered Roller Bearing (Cone)	M88048.....	1
Misc.	Crush Sleeve	□ CS321.....	1
Misc.5 ml Thread Locker	□ TL1	1
Misc.	3 oz Silicone Blue	□ Sealant	1
Misc.	Brush.....	□ BRUSH1	1
Misc.	Gear Marking Compound.....	□ 35V05	1
Misc.	Pinion Nut	□ PN3.....	1

■ Use Speedi-Sleeves to repair grooved shafts (Not Included)

□ Not Sold Separately

DIFFERENTIAL KIT CONTENTS—Light Duty

SDK321-AMK

APPLICATION	DESCRIPTION	PART NUMBER	QUANTITY
Differential Left/Right Hand	Tapered Roller Bearing (Set)	BR72	2
Pinion	Seal	19428	1
	<i>Speedi-Sleeve</i>	■ 99193	
Pinion Inner	Tapered Roller Bearing (Cup)	M802011	1
Pinion Inner	Tapered Roller Bearing (Cone)	M802048	1
Pinion Outer	Tapered Roller Bearing (Cup)	M88010	1
Pinion Outer	Tapered Roller Bearing (Cone)	M88048	1
Misc.	Crush Sleeve	<input type="checkbox"/> CS321	1
Misc.	.5 ml Thread Locker	<input type="checkbox"/> TL1	1
Misc.	3 oz Silicone Blue	<input type="checkbox"/> Sealant	1
Misc.	Brush	<input type="checkbox"/> BRUSH1	1
Misc.	Gear Marking Compound	<input type="checkbox"/> 35V05	1
Misc.	Pinion Nut	<input type="checkbox"/> PN3	1
Misc.	Ring Gear Bolt	<input type="checkbox"/> RGB2	10
Misc.	Pinion Shim Set	<input type="checkbox"/> SK36	1

SDK321-C

APPLICATION	DESCRIPTION	PART NUMBER	QUANTITY
Differential Left/Right Hand	Tapered Roller Bearing (Set)	BR36	2
Pinion	Seal	21285	1
	<i>Speedi-Sleeve</i>	■ 99212	
Pinion Inner	Tapered Roller Bearing (Cup)	M802011	1
Pinion Inner	Tapered Roller Bearing (Cone)	M802048	1
Pinion Outer	Tapered Roller Bearing (Set)	BR52	1
Misc.	Crush Sleeve	<input type="checkbox"/> CS321	1
Misc.	.5 ml Thread Locker	<input type="checkbox"/> TL1	1
Misc.	3 oz Silicone Blue	<input type="checkbox"/> Sealant	1
Misc.	Brush	<input type="checkbox"/> BRUSH1	1
Misc.	Gear Marking Compound	<input type="checkbox"/> 35V05	1
Misc.	Pinion Nut	<input type="checkbox"/> PN3	1

SDK321-CMK

APPLICATION	DESCRIPTION	PART NUMBER	QUANTITY
Differential Left/Right Hand	Tapered Roller Bearing (Set)	BR36	2
Pinion	Seal	21285	1
	<i>Speedi-Sleeve</i>	■ 99212	
Pinion Inner	Tapered Roller Bearing (Cup)	M802011	1
Pinion Inner	Tapered Roller Bearing (Cone)	M802048	1
Pinion Outer	Tapered Roller Bearing (Set)	BR52	1
Misc.	Crush Sleeve	<input type="checkbox"/> CS321	1
Misc.	.5 ml Thread Locker	<input type="checkbox"/> TL1	1
Misc.	3 oz Silicone Blue	<input type="checkbox"/> Sealant	1
Misc.	Brush	<input type="checkbox"/> BRUSH1	1
Misc.	Gear Marking Compound	<input type="checkbox"/> 35V05	1
Misc.	Pinion Nut	<input type="checkbox"/> PN3	1
Misc.	Ring Gear Bolt	<input type="checkbox"/> RGB2	10
Misc.	Pinion Shim Set	<input type="checkbox"/> SK4	1
Misc.	Differential Shim Set	<input type="checkbox"/> SK7	1

■ Use Speedi-Sleeves to repair grooved shafts (Not Included) Not Sold Separately

DIFFERENTIAL KIT CONTENTS—Light Duty

SDK321-J

APPLICATION	DESCRIPTION	PART NUMBER	QUANTITY
Differential Left/Right Hand	Tapered Roller Bearing (Set)	BR72.....	2
Pinion.....	Seal.....	710536.....	1
Pinion Inner	Tapered Roller Bearing (Cup)	M802011	1
Pinion Inner	Tapered Roller Bearing (Cone)	M802048.....	1
Pinion Outer.....	Tapered Roller Bearing (Set)	BR52.....	1
Misc.5 ml Thread Locker	<input type="checkbox"/> TL1	1
Misc.	3 oz Silicone Blue	<input type="checkbox"/> Sealant	1
Misc.	Brush.....	<input type="checkbox"/> BRUSH1	1
Misc.	Gear Marking Compound.....	<input type="checkbox"/> 35V05	1
Misc.	Pinion Nut	<input type="checkbox"/> PN3.....	1
Misc.	Crush Sleeve	<input type="checkbox"/> CS321.....	1

SDK321-JMK

APPLICATION	DESCRIPTION	PART NUMBER	QUANTITY
Differential Left/Right Hand	Tapered Roller Bearing (Set)	BR72.....	2
Pinion.....	Seal.....	710536.....	1
Pinion Inner	Tapered Roller Bearing (Cup)	M802011	1
Pinion Inner	Tapered Roller Bearing (Cone)	M802048.....	1
Pinion Outer.....	Tapered Roller Bearing (Set)	BR52.....	1
Misc.	Crush Sleeve	<input type="checkbox"/> CS321.....	1
Misc.5 ml Thread Locker	<input type="checkbox"/> TL1	1
Misc.	3 oz Silicone Blue	<input type="checkbox"/> Sealant	1
Misc.	Brush.....	<input type="checkbox"/> BRUSH1	1
Misc.	Gear Marking Compound.....	<input type="checkbox"/> 35V05	1
Misc.	Pinion Nut	<input type="checkbox"/> PN3.....	1
Misc.	Ring Gear Bolt	<input type="checkbox"/> RGB2.....	10
Misc.	Pinion Shim Set	<input type="checkbox"/> SK4.....	1

SDK321-K

APPLICATION	DESCRIPTION	PART NUMBER	QUANTITY
Differential Left/Right Hand	Tapered Roller Bearing (Set)	BR36.....	2
Pinion.....	Seal.....	21285.....	1
	<i>Speedi-Sleeve</i>	<input checked="" type="checkbox"/> 99212	
Pinion Inner	Tapered Roller Bearing (Set)	<input type="checkbox"/> STD4183KELFT	1
Pinion Outer.....	Tapered Roller Bearing (Set)	BR52.....	1
Misc.	Crush Sleeve	<input type="checkbox"/> CS321.....	1
Misc.5 ml Thread Locker	<input type="checkbox"/> TL1	1
Misc.	3 oz Silicone Blue	<input type="checkbox"/> Sealant	1
Misc.	Brush.....	<input type="checkbox"/> BRUSH1	1
Misc.	Gear Marking Compound.....	<input type="checkbox"/> 35V05	1
Misc.	Pinion Nut	<input type="checkbox"/> PN3.....	1

Use Speedi-Sleeves to repair grooved shafts (Not Included)

Not Sold Separately

DIFFERENTIAL KIT CONTENTS—Light Duty

SDK321-KMK

APPLICATION	DESCRIPTION	PART NUMBER	QUANTITY
Differential Left/Right Hand	Tapered Roller Bearing (Set)	BR36	2
Pinion	Seal	21285	1
	<i>Speedi-Sleeve</i>	■ 99212	
Pinion Inner	Tapered Roller Bearing (Set)	<input type="checkbox"/> STD4183KELFT	1
Pinion Outer	Tapered Roller Bearing (Set)	BR52	1
Misc.	Crush Sleeve	<input type="checkbox"/> CS321	1
Misc.	.5 ml Thread Locker	<input type="checkbox"/> TL1	1
Misc.	3 oz Silicone Blue	<input type="checkbox"/> Sealant	1
Misc.	Brush	<input type="checkbox"/> BRUSH1	1
Misc.	Gear Marking Compound	<input type="checkbox"/> 35V05	1
Misc.	Pinion Nut	<input type="checkbox"/> PN3	1
Misc.	Ring Gear Bolt	<input type="checkbox"/> RGB2	10
Misc.	Pinion Shim Set	<input type="checkbox"/> SK4	1
Misc.	Differential Shim Set	<input type="checkbox"/> SK7	1

SDK321-Q

APPLICATION	DESCRIPTION	PART NUMBER	QUANTITY
Differential Left/Right Hand	Tapered Roller Bearing (Cup)	LM603012	2
Differential Left/Right Hand	Tapered Roller Bearing (Cone)	LM603049	2
Pinion	Seal	<input type="checkbox"/> 710507	1
Pinion Outer	Tapered Roller Bearing (Set)	<input type="checkbox"/> STA4195	1
Pinion Inner	Tapered Roller Bearing (Set)	<input type="checkbox"/> STB3372	1
Misc.	Crush Sleeve	<input type="checkbox"/> CS321	1
Misc.	.5 ml Thread Locker	<input type="checkbox"/> TL1	1
Misc.	3 oz Silicone Blue	<input type="checkbox"/> Sealant	1
Misc.	Brush	<input type="checkbox"/> BRUSH1	1
Misc.	Gear Marking Compound	<input type="checkbox"/> 35V05	1
Misc.	Pinion Nut	<input type="checkbox"/> PN3	1

SDK321-QMK

APPLICATION	DESCRIPTION	PART NUMBER	QUANTITY
Differential Left/Right Hand	Tapered Roller Bearing (Cup)	LM603012	2
Differential Left/Right Hand	Tapered Roller Bearing (Cone)	LM603049	2
Pinion	Seal	<input type="checkbox"/> 710507	1
Pinion Outer	Tapered Roller Bearing (Set)	<input type="checkbox"/> STA4195	1
Pinion Inner	Tapered Roller Bearing (Set)	<input type="checkbox"/> STB3372	1
Misc.	Crush Sleeve	<input type="checkbox"/> CS321	1
Misc.	.5 ml Thread Locker	<input type="checkbox"/> TL1	1
Misc.	3 oz Silicone Blue	<input type="checkbox"/> Sealant	1
Misc.	Brush	<input type="checkbox"/> BRUSH1	1
Misc.	Gear Marking Compound	<input type="checkbox"/> 35V05	1
Misc.	Pinion Nut	<input type="checkbox"/> PN3	1
Misc.	Ring Gear Bolt	<input type="checkbox"/> RGB2	10
Misc.	Differential Shim Set	<input type="checkbox"/> SK7	1
Misc.	Pinion Shim Set	<input type="checkbox"/> SK4	1

■ Use Speedi-Sleeves to repair grooved shafts (Not Included)

Not Sold Separately

DIFFERENTIAL KIT CONTENTS—Light Duty

SDK322

APPLICATION	DESCRIPTION	PART NUMBER	QUANTITY
Differential Left/Right Hand	Tapered Roller Bearing (Set)	BR36.....	2
Pinion Front Axle	Seal.....	17190.....	1
	<i>Speedi-Sleeve</i>	■ 99170	
Pinion Inner	Tapered Roller Bearing (Cup)	HM89410	1
Pinion Inner	Tapered Roller Bearing (Cone)	HM89449	1
Pinion Outer.....	Tapered Roller Bearing (Cup)	M88010.....	1
Pinion Outer.....	Tapered Roller Bearing (Cone)	M88048.....	1
Misc.	Crush Sleeve	□ 183112.....	1
Misc.5 ml Thread Locker	□ TL1	1
Misc.	3 oz Silicone Blue	□ Sealant	1
Misc.	Brush.....	□ BRUSH1	1
Misc.	Gear Marking Compound.....	□ 35V05.....	1
Misc.	Pinion Nut	□ PN4.....	1

SDK322-MK

APPLICATION	DESCRIPTION	PART NUMBER	QUANTITY
Differential Left/Right Hand	Tapered Roller Bearing (Set)	BR36.....	2
Pinion Front Axle	Seal.....	17190.....	1
	<i>Speedi-Sleeve</i>	■ 99170	
Pinion Inner	Tapered Roller Bearing (Cup)	HM89410	1
Pinion Inner	Tapered Roller Bearing (Cone)	HM89449	1
Pinion Outer.....	Tapered Roller Bearing (Cup)	M88010.....	1
Pinion Outer.....	Tapered Roller Bearing (Cone)	M88048.....	1
Misc.	Crush Sleeve	□ 183112.....	1
Misc.5 ml Thread Locker	□ TL1	1
Misc.	3 oz Silicone Blue	□ Sealant	1
Misc.	Brush.....	□ BRUSH1	1
Misc.	Gear Marking Compound.....	□ 35V05.....	1
Misc.	Pinion Nut	□ PN4.....	1
Misc.	Pinion Shim Set	□ SK12.....	1
Misc.	Differential Shim Set	□ SK7.....	1
Misc.	Ring Gear Bolt	□ RGB5.....	12

■ Use Speedi-Sleeves to repair grooved shafts (Not Included)

□ Not Sold Separately

DIFFERENTIAL KIT CONTENTS—Light Duty

SDK323

APPLICATION	DESCRIPTION	PART NUMBER	QUANTITY
Differential Left/Right Hand	Tapered Roller Bearing (Set)	BR36	2
Pinion (1973 and Later)	Seal	17190	1
	<i>Speedi-Sleeve</i>	■ 99170	
Pinion (1972-1963)	Seal	19273	1
	<i>Speedi-Sleeve</i>	■ 99193	
Pinion Inner	Tapered Roller Bearing (Cup)	M802011	1
Pinion Inner	Tapered Roller Bearing (Cone)	M802048	1
Pinion Outer	Tapered Roller Bearing (Cup)	M88010	1
Pinion Outer	Tapered Roller Bearing (Cone)	M88048	1
Misc.	Crush Sleeve	<input type="checkbox"/> CS321	1
Misc.	.5 ml Thread Locker	<input type="checkbox"/> TL1	1
Misc.	3 oz Silicone Blue	<input type="checkbox"/> Sealant	1
Misc.	Brush	<input type="checkbox"/> BRUSH1	1
Misc. (Corvette)	Crush Sleeve	<input type="checkbox"/> CS323-C	1
Misc.	Gear Marking Compound	<input type="checkbox"/> 35V05	1
Misc.	Pinion Nut	<input type="checkbox"/> PN4	1

SDK323-MK

APPLICATION	DESCRIPTION	PART NUMBER	QUANTITY
Differential Left/Right Hand	Tapered Roller Bearing (Set)	BR36	2
Pinion (1973 and Later)	Seal	17190	1
	<i>Speedi-Sleeve</i>	■ 99170	
Pinion (1972-1963)	Seal	19273	1
	<i>Speedi-Sleeve</i>	■ 99193	
Pinion Inner	Tapered Roller Bearing (Cup)	M802011	1
Pinion Inner	Tapered Roller Bearing (Cone)	M802048	1
Pinion Outer	Tapered Roller Bearing (Cup)	M88010	1
Pinion Outer	Tapered Roller Bearing (Cone)	M88048	1
Misc.	Crush Sleeve	<input type="checkbox"/> CS321	1
Misc.	.5 ml Thread Locker	<input type="checkbox"/> TL1	1
Misc.	3 oz Silicone Blue	<input type="checkbox"/> Sealant	1
Misc.	Brush	<input type="checkbox"/> BRUSH1	1
Misc. (Corvette)	Crush Sleeve	<input type="checkbox"/> CS323-C	1
Misc.	Gear Marking Compound	<input type="checkbox"/> 35V05	1
Misc.	Pinion Nut	<input type="checkbox"/> PN4	1
Misc.	Pinion Shim Set	<input type="checkbox"/> SK4	1
Misc.	Differential Shim Set	<input type="checkbox"/> SK7	1
Misc.	Ring Gear Bolt	<input type="checkbox"/> RGB5	12

■ Use Speedi-Sleeves to repair grooved shafts (Not Included)

Not Sold Separately

DIFFERENTIAL KIT CONTENTS—Light Duty

SDK324

APPLICATION	DESCRIPTION	PART NUMBER	QUANTITY
Differential Left/Right Hand	Tapered Roller Bearing (Cup)	JLM506811	2
Differential Left/Right Hand	Tapered Roller Bearing (Cone)	JLM506849A.....	2
Pinion.....	Seal.....	19314.....	1
	<i>Speedi-Sleeve</i>	■ 99193	
Pinion Inner	Tapered Roller Bearing (Cup)	HM804810	1
Pinion Inner	Tapered Roller Bearing (Cone)	HM804846	1
Pinion Front Outer	Tapered Roller Bearing (Cup)	HM88610	1
Pinion Front Outer	Tapered Roller Bearing (Cone)	HM88649	1
Misc.5 ml Thread Locker	□ TL1	1
Misc.	3 oz Silicone Blue	□ Sealant	1
Misc.	Brush.....	□ BRUSH1	1
Misc.	Crush Sleeve	□ CS324.....	1
Misc.	Gear Marking Compound.....	□ 35V05	1
Misc.	Pinion Nut	□ PN3.....	1

SDK324-MK

APPLICATION	DESCRIPTION	PART NUMBER	QUANTITY
Differential Left/Right Hand	Tapered Roller Bearing (Cup)	JLM506811	2
Differential Left/Right Hand	Tapered Roller Bearing (Cone)	JLM506849A.....	2
Pinion.....	Seal.....	19314.....	1
	<i>Speedi-Sleeve</i>	■ 99193	
Pinion Inner	Tapered Roller Bearing (Cup)	HM804810	1
Pinion Inner	Tapered Roller Bearing (Cone)	HM804846	1
Pinion Front Outer	Tapered Roller Bearing (Cup)	HM88610	1
Pinion Front Outer	Tapered Roller Bearing (Cone)	HM88649	1
Misc.5 ml Thread Locker	□ TL1	1
Misc.	3 oz Silicone Blue	□ Sealant	1
Misc.	Brush.....	□ BRUSH1	1
Misc.	Crush Sleeve	□ CS324.....	1
Misc.	Gear Marking Compound.....	□ 35V05	1
Misc.	Pinion Nut	□ PN3.....	1
Misc.	Differential Shim Set	□ SK13.....	1
Misc.	Pinion Shim Set	□ SK3.....	1
Misc.	Ring Gear Bolt	□ RGB8.....	12

■ Use Speedi-Sleeves to repair grooved shafts (Not Included)

□ Not Sold Separately

DIFFERENTIAL KIT CONTENTS—Light Duty

SDK324-A

APPLICATION	DESCRIPTION	PART NUMBER	QUANTITY
Differential Left/Right Hand	Tapered Roller Bearing (Cup)	JLM506811	2
Differential Left/Right Hand	Tapered Roller Bearing (Cone)	JLM506849A.....	2
Pinion.....	Seal.....	19428.....	1
	<i>Speedi-Sleeve</i>	■ 99193	
Pinion Front Inner	Tapered Roller Bearing (Cup)	HM804810	1
Pinion Front Inner	Tapered Roller Bearing (Cone)	HM804846	1
Pinion Front Outer	Tapered Roller Bearing (Cup)	HM88610	1
Pinion Front Outer	Tapered Roller Bearing (Cone)	HM88649	1
Misc.5 ml Thread Locker	□ TL1	1
Misc.	3 oz Silicone Blue	□ Sealant	1
Misc.	Brush.....	□ BRUSH1	1
Misc.	Crush Sleeve	□ CS324.....	1
Misc.	Gear Marking Compound.....	□ 35V05	1
Misc.	Pinion Nut	□ PN3.....	1

SDK324-B

APPLICATION	DESCRIPTION	PART NUMBER	QUANTITY
Differential Left/Right Hand	Tapered Roller Bearing (Cup)	JLM506811	2
Differential Left/Right Hand	Tapered Roller Bearing (Cone)	JLM506849A.....	2
Pinion.....	Seal.....	20880.....	1
Pinion Front Inner	Tapered Roller Bearing (Cup)	HM804810	1
Pinion Front Inner	Tapered Roller Bearing (Cone)	HM804846	1
Pinion Front Outer	Tapered Roller Bearing (Cup)	HM88610	1
Pinion Front Outer	Tapered Roller Bearing (Cone)	HM88649	1
Misc.5 ml Thread Locker	□ TL1	1
Misc.	3 oz Silicone Blue	□ Sealant	1
Misc.	Brush.....	□ BRUSH1	1
Misc.	Crush Sleeve	□ CS324.....	1
Misc.	Gear Marking Compound.....	□ 35V05	1
Misc.	Pinion Nut	□ PN3.....	1

SDK324-BMK

APPLICATION	DESCRIPTION	PART NUMBER	QUANTITY
Differential Left/Right Hand	Tapered Roller Bearing (Cup)	JLM506811	2
Differential Left/Right Hand	Tapered Roller Bearing (Cone)	JLM506849A.....	2
Pinion.....	Seal.....	20880.....	1
Pinion Front Inner	Tapered Roller Bearing (Cup)	HM804810	1
Pinion Front Inner	Tapered Roller Bearing (Cone)	HM804846	1
Pinion Front Outer	Tapered Roller Bearing (Cup)	HM88610	1
Pinion Front Outer	Tapered Roller Bearing (Cone)	HM88649	1
Misc.5 ml Thread Locker	□ TL1	1
Misc.	3 oz Silicone Blue	□ Sealant	1
Misc.	Brush.....	□ BRUSH1	1
Misc.	Crush Sleeve	□ CS324.....	1
Misc.	Gear Marking Compound.....	□ 35V05	1
Misc.	Pinion Nut	□ PN3.....	1
Misc.	Pinion Shim Set	□ SK13.....	1
Misc.	Differential Shim Set	□ SK3.....	1
Misc.	Ring Gear Bolt	□ RGB8.....	12

■ Use Speedi-Sleeves to repair grooved shafts (Not Included)

□ Not Sold Separately

DIFFERENTIAL KIT CONTENTS—Light Duty

SDK325

APPLICATION	DESCRIPTION	PART NUMBER	QUANTITY
Differential Left/Right Hand	Tapered Roller Bearing (Cup)	382-A	2
Differential Left/Right Hand	Tapered Roller Bearing (Cone)	387-AS	2
Pinion.....	Seal.....	21955.....	1
	<i>Speedi-Sleeve</i>	■ 99220	
Pinion Inner	Tapered Roller Bearing (Cup)	HM803110	1
Pinion Inner	Tapered Roller Bearing (Cone)	HM803149	1
Pinion Outer.....	Tapered Roller Bearing (Cup)	M802011	1
Pinion Outer.....	Tapered Roller Bearing (Cone)	M802048	1
Pinion Pilot.....	Cylindrical Roller Bearing.....	R1581-TV	1
Misc.5 ml Thread Locker	□ TL1	1
Misc.	3 oz Silicone Blue	□ Sealant	1
Misc.	Brush.....	□ BRUSH1	1
Misc.	Crush Sleeve	□ CS325.....	1
Misc.	Gear Marking Compound.....	□ 35V05	1
Misc.	Pinion Nut	□ PN7.....	1

SDK325-MK

APPLICATION	DESCRIPTION	PART NUMBER	QUANTITY
Differential Left/Right Hand	Tapered Roller Bearing (Cup)	382-A	2
Differential Left/Right Hand	Tapered Roller Bearing (Cone)	387-AS	2
Pinion.....	Seal.....	21955.....	1
	<i>Speedi-Sleeve</i>	■ 99220	
Pinion Inner	Tapered Roller Bearing (Cup)	HM803110	1
Pinion Inner	Tapered Roller Bearing (Cone)	HM803149	1
Pinion Outer.....	Tapered Roller Bearing (Cup)	M802011	1
Pinion Outer.....	Tapered Roller Bearing (Cone)	M802048	1
Pinion Pilot.....	Cylindrical Roller Bearing.....	R1581-TV	1
Misc.5 ml Thread Locker	□ TL1	1
Misc.	3 oz Silicone Blue	□ Sealant	1
Misc.	Brush.....	□ BRUSH1	1
Misc.	Crush Sleeve	□ CS325.....	1
Misc.	Gear Marking Compound.....	□ 35V05	1
Misc.	Pinion Nut	□ PN7.....	1
Misc.	Pinion Shim Set	□ SK14.....	1
Misc.	Ring Gear Bolt	□ RGB9.....	12

■ Use Speedi-Sleeves to repair grooved shafts (Not Included)

□ Not Sold Separately

DIFFERENTIAL KIT CONTENTS—Light Duty

SDK325-A

APPLICATION	DESCRIPTION	PART NUMBER	QUANTITY
Differential Left/Right Hand	Tapered Roller Bearing (Cup)	382-A	2
Differential Left/Right Hand	Tapered Roller Bearing (Cone)	387-AS	2
Pinion.....	Seal.....	21955.....	1
	<i>Speedi-Sleeve</i>	■ 99220	
Pinion Front Inner.....	Tapered Roller Bearing (Cup)	HM903210	1
Pinion Front Inner.....	Tapered Roller Bearing (Cone)	HM903249	1
Pinion Outer.....	Tapered Roller Bearing (Cup)	M802011	1
Pinion Outer.....	Tapered Roller Bearing (Cone)	M802048	1
Pinion Pilot.....	Cylindrical Roller Bearing.....	R1581-TV	1
Misc.	Crush Sleeve	□ CS325-A	1
Misc.5 ml Thread Locker	□ TL1	1
Misc.	3 oz Silicone Blue	□ Sealant	1
Misc.	Brush.....	□ BRUSH1	1
Misc.	Gear Marking Compound.....	□ 35V05	1
Misc.	Pinion Nut	□ PN7	1

SDK325-AMK

APPLICATION	DESCRIPTION	PART NUMBER	QUANTITY
Differential Left/Right Hand	Tapered Roller Bearing (Cup)	382-A	2
Differential Left/Right Hand	Tapered Roller Bearing (Cone)	387-AS	2
Pinion.....	Seal.....	21955.....	1
	<i>Speedi-Sleeve</i>	■ 99220	
Pinion Front Inner.....	Tapered Roller Bearing (Cup)	HM903210	1
Pinion Front Inner.....	Tapered Roller Bearing (Cone)	HM903249	1
Pinion Outer.....	Tapered Roller Bearing (Cup)	M802011	1
Pinion Outer.....	Tapered Roller Bearing (Cone)	M802048	1
Pinion Pilot.....	Cylindrical Roller Bearing.....	R1581-TV	1
Misc.	Crush Sleeve	□ CS325-A	1
Misc.5 ml Thread Locker	□ TL1	1
Misc.	3 oz Silicone Blue	□ Sealant	1
Misc.	Brush.....	□ BRUSH1	1
Misc.	Gear Marking Compound.....	□ 35V05	1
Misc.	Pinion Nut	□ PN7	1
Misc.	Ring Gear Bolt	□ RGB9*	12
Misc.	Pinion Shim Set	□ SK14	1

* For ratios lower than 4.56

■ Use Speedi-Sleeves to repair grooved shafts (Not Included)

□ Not Sold Separately

DIFFERENTIAL KIT CONTENTS—Light Duty

SDK325-B

APPLICATION	DESCRIPTION	PART NUMBER	QUANTITY
Differential Left/Right Hand	Tapered Roller Bearing (Cup)	382-A	2
Differential Left/Right Hand	Tapered Roller Bearing (Cone)	387-AS	2
Pinion.....	Seal.....	23244.....	1
Pinion Front Inner.....	Tapered Roller Bearing (Cup)	HM903210	1
Pinion Front Inner.....	Tapered Roller Bearing (Cone)	HM903249	1
Pinion Outer.....	Tapered Roller Bearing (Cup)	M802011	1
Pinion Outer.....	Tapered Roller Bearing (Cone)	M802048.....	1
Pinion Pilot.....	Cylindrical Roller Bearing.....	R1581-TV	1
Misc.	Crush Sleeve	<input type="checkbox"/> CS325-A	1
Misc.5 ml Thread Locker	<input type="checkbox"/> TL1	1
Misc.	3 oz Silicone Blue	<input type="checkbox"/> Sealant	1
Misc.	Brush.....	<input type="checkbox"/> BRUSH1	1
Misc.	Gear Marking Compound.....	<input type="checkbox"/> 35V05	1
Misc.	Pinion Nut	<input type="checkbox"/> PN7.....	1

SDK325-BMK

APPLICATION	DESCRIPTION	PART NUMBER	QUANTITY
Differential Left/Right Hand	Tapered Roller Bearing (Cup)	382-A	2
Differential Left/Right Hand	Tapered Roller Bearing (Cone)	387-AS	2
Pinion.....	Seal.....	23244.....	1
Pinion Front Inner.....	Tapered Roller Bearing (Cup)	HM903210	1
Pinion Front Inner.....	Tapered Roller Bearing (Cone)	HM903249	1
Pinion Outer.....	Tapered Roller Bearing (Cup)	M802011	1
Pinion Outer.....	Tapered Roller Bearing (Cone)	M802048.....	1
Pinion Pilot.....	Cylindrical Roller Bearing.....	R1581-TV	1
Misc.	Crush Sleeve	<input type="checkbox"/> CS325-A	1
Misc.5 ml Thread Locker	<input type="checkbox"/> TL1	1
Misc.	3 oz Silicone Blue	<input type="checkbox"/> Sealant	1
Misc.	Brush.....	<input type="checkbox"/> BRUSH1	1
Misc.	Gear Marking Compound.....	<input type="checkbox"/> 35V05	1
Misc.	Pinion Nut	<input type="checkbox"/> PN7.....	1
Misc.	Pinion Shim Set	<input type="checkbox"/> SK14.....	1
Misc.	Ring Gear Bolt	<input type="checkbox"/> RGB9.....	12

■ Use Speedi-Sleeves to repair grooved shafts (Not Included)

Not Sold Separately

DIFFERENTIAL KIT CONTENTS—Light Duty

SDK327

APPLICATION	DESCRIPTION	PART NUMBER	QUANTITY
Differential Left/Right Hand	Tapered Roller Bearing (Cup)	BR3920	2
Differential Left/Right Hand	Tapered Roller Bearing (Cone)	BR3984	2
Pinion.....	Seal.....	23244	1
Pinion Front Inner.....	Tapered Roller Bearing (Cup)	HM807010	1
Pinion Front Inner.....	Tapered Roller Bearing (Cone)	HM807046	1
Pinion Outer.....	Tapered Roller Bearing (Cup)	M802011	1
Pinion Outer.....	Tapered Roller Bearing (Cone)	M802048	1
Misc.	Crush Sleeve	<input type="checkbox"/> CS341.....	1
Misc.5 ml Thread Locker	<input type="checkbox"/> TL1	1
Misc.	3 oz Silicone Blue	<input type="checkbox"/> Sealant	1
Misc.	Brush.....	<input type="checkbox"/> BRUSH1	1
Misc.	Gear Marking Compound.....	<input type="checkbox"/> 35V05	1
Misc.	Pinion Nut	<input type="checkbox"/> PN17.....	1

SDK327-MK

APPLICATION	DESCRIPTION	PART NUMBER	QUANTITY
Differential Left/Right Hand	Tapered Roller Bearing (Cup)	BR3920	2
Differential Left/Right Hand	Tapered Roller Bearing (Cone)	BR3984	2
Pinion.....	Seal.....	23244	1
Pinion Inner	Tapered Roller Bearing (Cup)	HM807010	1
Pinion Inner	Tapered Roller Bearing (Cone)	HM807046	1
Pinion Outer.....	Tapered Roller Bearing (Cup)	M802011	1
Pinion Outer.....	Tapered Roller Bearing (Cone)	M802048	1
Misc.5 ml Thread Locker	<input type="checkbox"/> TL1	1
Misc.	3 oz Silicone Blue	<input type="checkbox"/> Sealant	1
Misc.	Brush.....	<input type="checkbox"/> BRUSH1	1
Misc.	Crush Sleeve	<input type="checkbox"/> CS341.....	1
Misc.	Gear Marking Compound.....	<input type="checkbox"/> 35V05	1
Misc.	Pinion Nut	<input type="checkbox"/> PN17.....	1
Misc.	Pinion Shim Set	<input type="checkbox"/> SK54.....	1
Misc.	Ring Gear Bolt	<input type="checkbox"/> RGB21	12

■ Use Speedi-Sleeves to repair grooved shafts (Not Included)

Not Sold Separately

DIFFERENTIAL KIT CONTENTS—Light Duty

SDK331

APPLICATION	DESCRIPTION	PART NUMBER	QUANTITY
Differential Left/Right Hand	Tapered Roller Bearing (Cup)	382-S	2
Differential Left/Right Hand	Tapered Roller Bearing (Cone)	387-A	2
Pinion.....	Seal (.531" Width).....	18888.....	1
	<i>Speedi-Sleeve</i>	■ 99187.....	
Pinion.....	Seal (.770" Width).....	18891.....	1
	<i>Speedi-Sleeve</i>	■ 99187.....	
Pinion Inner	Tapered Roller Bearing (Cup)	HM803110	1
Pinion Inner	Tapered Roller Bearing (Cone)	HM803146	1
Pinion Outer.....	Tapered Roller Bearing (Cup)	HM88510	1
Pinion Outer.....	Tapered Roller Bearing (Cone)	HM88542	1
Misc.5 ml Thread Locker	□ TL1	1
Misc.	3 oz Silicone Blue	□ Sealant	1
Misc.	Brush.....	□ BRUSH1	1
Misc.	Gear Marking Compound.....	□ 35V05	1
Misc.	Pinion Nut	□ PN5.....	1
Misc.	Pinion Shim Set	□ SK15.....	1
Misc.	Differential Shim Set	□ SK16.....	1
Misc.	Pinion Adjusting Shim Set.....	□ SK17.....	1

SDK331-A

APPLICATION	DESCRIPTION	PART NUMBER	QUANTITY
Differential Left/Right Hand	Tapered Roller Bearing (Cup)	382-S	2
Differential Left/Right Hand	Tapered Roller Bearing (Cone)	387-A	2
Pinion.....	Seal (w/end yoke 3-4-12771-1).....	18891.....	1
	<i>Speedi-Sleeve</i>	■ 99187.....	
Pinion.....	Seal (w/end yoke 3-4-14531-1).....	DS50574.....	1
Pinion Inner	Tapered Roller Bearing (Cup)	HM803110	1
Pinion Inner	Tapered Roller Bearing (Cone)	HM803146	1
Pinion Outer.....	Tapered Roller Bearing (Cup)	HM88510	1
Pinion Outer.....	Tapered Roller Bearing (Cone)	HM88542	1
Misc.5 ml Thread Locker	□ TL1	1
Misc.	3 oz Silicone Blue	□ Sealant	1
Misc.	Brush.....	□ BRUSH1	1
Misc.	Gear Marking Compound.....	□ 35V05	1
Misc.	Pinion Nut	□ PN5.....	1

■ Use Speedi-Sleeves to repair grooved shafts (Not Included)

□ Not Sold Separately

DIFFERENTIAL KIT CONTENTS—Light Duty

SDK331-AMK

APPLICATION	DESCRIPTION	PART NUMBER	QUANTITY
Differential Left/Right Hand	Tapered Roller Bearing (Cup)	382-S	2
Differential Left/Right Hand	Tapered Roller Bearing (Cone)	387-A	2
Pinion.....	Seal (w/end yoke 3-4-12771-1).....	18891.....	1
	<i>Speedi-Sleeve</i>	■ 99187	
Pinion.....	Seal (w/end yoke 3-4-14531-1).....	DS50574.....	1
Pinion Inner	Tapered Roller Bearing (Cup)	HM803110	1
Pinion Inner	Tapered Roller Bearing (Cone)	HM803146	1
Pinion Outer.....	Tapered Roller Bearing (Cup)	HM88510	1
Pinion Outer.....	Tapered Roller Bearing (Cone)	HM88542	1
Misc.5 ml Thread Locker	□ TL1	1
Misc.	3 oz Silicone Blue	□ Sealant	1
Misc.	Brush.....	□ BRUSH1	1
Misc.	Gear Marking Compound.....	□ 35V05	1
Misc.	Pinion Nut	□ PN5.....	1
Misc.	Pinion Shim Set	□ SK15.....	1
Misc.	Differential Shim Set	□ SK54.....	1
Misc.	Ring Gear Bolt	□ RGB6.....	12

SDK332

APPLICATION	DESCRIPTION	PART NUMBER	QUANTITY
Differential Left/Right Hand	Tapered Roller Bearing (Cup)	382-S	2
Differential Left/Right Hand	Tapered Roller Bearing (Cone)	387-A	2
Pinion (1970-1957).....	Seal.....	18888.....	1
	<i>Speedi-Sleeve</i>	■ 99187	
Pinion (1970 and Later).....	Seal.....	18891.....	1
	<i>Speedi-Sleeve</i>	■ 99187	
Pinion Inner	Tapered Roller Bearing (Cup)	HM807010	1
Pinion Inner	Tapered Roller Bearing (Cone)	HM807040	1
Pinion Outer.....	Tapered Roller Bearing (Cup)	HM88510	1
Pinion Outer.....	Tapered Roller Bearing (Cone)	HM88542	1
Misc.5 ml Thread Locker	□ TL1	1
Misc.	3 oz Silicone Blue	□ Sealant	1
Misc.	Brush.....	□ BRUSH1	1
Misc.	Gear Marking Compound.....	□ 35V05	1
Misc.	Pinion Nut	□ PN5.....	1
Misc.	Differential Shim Set	□ SK16.....	1
Misc.	Pinion Shim Set	□ SK17.....	1
Misc.	Pinion Adjusting Shim Set.....	□ SK18.....	1

■ Use Speedi-Sleeves to repair grooved shafts (Not Included)

□ Not Sold Separately

DIFFERENTIAL KIT CONTENTS—Light Duty

SDK332-A

APPLICATION	DESCRIPTION	PART NUMBER	QUANTITY
Differential Left/Right Hand	Tapered Roller Bearing (Cup)	NP802507	2
Differential Left/Right Hand	Tapered Roller Bearing (Cone)	NP197868	2
Pinion	Seal	18896	1
	<i>Speedi-Sleeve</i>	■ 99187	
Pinion Front Inner	Tapered Roller Bearing (Cup)	HM803110	1
Pinion Front Inner	Tapered Roller Bearing (Cone)	HM803149	1
Pinion Outer	Tapered Roller Bearing (Cup)	HM88510	1
Pinion Outer	Tapered Roller Bearing (Cone)	HM88542	1
Misc.5 ml Thread Locker	□ TL1	1
Misc.	3 oz Silicone Blue	□ Sealant	1
Misc.	Brush	□ BRUSH1	1
Misc.	Gear Marking Compound	□ 35V05	1
Misc.	Pinion Nut	□ PN5	1
Misc.	Pinion Shim Set	□ SK15	1
Misc.	Differential Shim Set	□ SK16	1
Misc.	Pinion Adjusting Shim Set	□ SK17	1
Misc.	Spacer	□ DS46176	1

SDK332-HD

APPLICATION	DESCRIPTION	PART NUMBER	QUANTITY
Differential Left/Right Hand	Tapered Roller Bearing (Cup)	453-X	2
Differential Left/Right Hand	Tapered Roller Bearing (Cone)	BR469	2
Pinion	Seal	18891	1
	<i>Speedi-Sleeve</i>	■ 99187	
Pinion Inner	Tapered Roller Bearing (Cup)	HM807010	1
Pinion Inner	Tapered Roller Bearing (Cone)	HM807040	1
Pinion Outer	Tapered Roller Bearing (Cup)	HM88510	1
Pinion Outer	Tapered Roller Bearing (Cone)	HM88542	1
Misc.5 ml Thread Locker	□ TL1	1
Misc.	3 oz Silicone Blue	□ Sealant	1
Misc.	Brush	□ BRUSH1	1
Misc.	Gear Marking Compound	□ 35V05	1
Misc.	Pinion Nut	□ PN5	1
Misc.	Shim Set	□ SK16	1
Misc.	Shim Set	□ SK17	1
Misc.	Shim Set	□ SK18	1

■ Use Speedi-Sleeves to repair grooved shafts (Not Included) □ Not Sold Separately

DIFFERENTIAL KIT CONTENTS—Light Duty

SDK333

APPLICATION	DESCRIPTION	PART NUMBER	QUANTITY
Differential Left/Right Hand	Tapered Roller Bearing (Cup)	LM29710	2
Differential Left/Right Hand	Tapered Roller Bearing (Cone)	LM29749	2
Pinion	Seal	15502	1
	<i>Speedi-Sleeve</i>	■ 99155	
Pinion Inner	Tapered Roller Bearing (Cup)	M86610	1
Pinion Inner	Tapered Roller Bearing (Cone)	M86649	1
Pinion Outer	Tapered Roller Bearing (Cup)	M88010	1
Pinion Outer	Tapered Roller Bearing (Cone)	M88048	1
Misc.	Crush Sleeve	KRS116	1
Misc.5 ml Thread Locker	<input type="checkbox"/> TL1	1
Misc.	3 oz Silicone Blue	<input type="checkbox"/> Sealant	1
Misc.	Brush	<input type="checkbox"/> BRUSH1	1
Misc.	Gear Marking Compound	<input type="checkbox"/> 35V05	1
Misc.	Pinion Nut	<input type="checkbox"/> PN8-F	1

SDK334

APPLICATION	DESCRIPTION	PART NUMBER	QUANTITY
Differential Left/Right Hand	Tapered Roller Bearing (Set)	BR72	2
Pinion	Seal	15788	1
	<i>Speedi-Sleeve</i>	■ 99155	
Pinion Inner	Tapered Roller Bearing (Cup)	HM88610	1
Pinion Inner	Tapered Roller Bearing (Cone)	HM88649	1
Pinion Outer	Tapered Roller Bearing (Cup)	BR02820	1
Pinion Outer	Tapered Roller Bearing (Cone)	BR02872	1
Misc.5 ml Thread Locker	<input type="checkbox"/> TL1	1
Misc.	3 oz Silicone Blue	<input type="checkbox"/> Sealant	1
Misc.	Brush	<input type="checkbox"/> BRUSH1	1
Misc.	Gear Marking Compound	<input type="checkbox"/> 35V05	1
Misc.	Pinion Nut	<input type="checkbox"/> PN8-F	1

SDK334-MK

APPLICATION	DESCRIPTION	PART NUMBER	QUANTITY
Differential Left/Right Hand	Tapered Roller Bearing (Set)	BR72	2
Pinion	Seal	15788	1
	<i>Speedi-Sleeve</i>	■ 99155	
Pinion Inner	Tapered Roller Bearing (Cup)	HM88610	1
Pinion Inner	Tapered Roller Bearing (Cone)	HM88649	1
Pinion Outer	Tapered Roller Bearing (Cup)	BR02820	1
Pinion Outer	Tapered Roller Bearing (Cone)	BR02872	1
Misc.5 ml Thread Locker	<input type="checkbox"/> TL1	1
Misc.	3 oz Silicone Blue	<input type="checkbox"/> Sealant	1
Misc.	Brush	<input type="checkbox"/> BRUSH1	1
Misc.	Gear Marking Compound	<input type="checkbox"/> 35V05	1
Misc.	Pinion Nut	<input type="checkbox"/> PN8-F	1
Misc.	Pinion Adjusting Shim Set	<input type="checkbox"/> SK5	1
Misc.	Differential Shim Set	<input type="checkbox"/> SK20	1
Misc.	Pinion Shim Set	<input type="checkbox"/> SK29	1
Misc.	Ring Gear Bolt	<input type="checkbox"/> RGB5	10

■ Use Speedi-Sleeves to repair grooved shafts (Not Included)

Not Sold Separately

DIFFERENTIAL KIT CONTENTS—Light Duty

SDK334-TJ

APPLICATION	DESCRIPTION	PART NUMBER	QUANTITY
Differential Left/Right Hand	Tapered Roller Bearing (Set)	BR72	2
Pinion	Seal	15788	1
	<i>Speedi-Sleeve</i>	■ 99155	
Pinion	Seal	□ DS50660	1
Pinion Inner	Tapered Roller Bearing (Cup)	HM88610	1
Pinion Inner	Tapered Roller Bearing (Cone)	HM88649	1
Pinion Outer	Tapered Roller Bearing (Cup)	M86610	1
Pinion Outer	Tapered Roller Bearing (Cone)	M86649	1
Misc.	Crush Sleeve	□ CS335	1
Misc.	.5 ml Thread Locker	□ TL1	1
Misc.	3 oz Silicone Blue	□ Sealant	1
Misc.	Brush	□ BRUSH1	1
Misc.	Gear Marking Compound	□ 35V05	1
Misc.	Pinion Nut	□ PN8-F	1

SDK334-TJMK

APPLICATION	DESCRIPTION	PART NUMBER	QUANTITY
Differential Left/Right Hand	Tapered Roller Bearing (Set)	BR72	2
Pinion	Seal	15788	1
	<i>Speedi-Sleeve</i>	■ 99155	
Pinion	Seal	□ DS50660	1
Pinion Inner	Tapered Roller Bearing (Cup)	HM88610	1
Pinion Inner	Tapered Roller Bearing (Cone)	HM88649	1
Pinion Outer	Tapered Roller Bearing (Cup)	M86610	1
Pinion Outer	Tapered Roller Bearing (Cone)	M86649	1
Misc.	Crush Sleeve	□ CS335	1
Misc.	.5 ml Thread Locker	□ TL1	1
Misc.	3 oz Silicone Blue	□ Sealant	1
Misc.	Brush	□ BRUSH1	1
Misc.	Gear Marking Compound	□ 35V05	1
Misc.	Pinion Nut	□ PN8-F	1
Misc.	Slinger	□ 230747	1
Misc.	Differential Shim Set	□ SK20	1
Misc.	Pinion Shim Set	□ SK54	1
Misc.	Ring Gear Bolt	□ RGB5	10
Misc.	Pinion Nut Washer	□ 30186	1

■ Use Speedi-Sleeves to repair grooved shafts (Not Included)

□ Not Sold Separately

DIFFERENTIAL KIT CONTENTS—Light Duty

SDK335

APPLICATION	DESCRIPTION	PART NUMBER	QUANTITY
Differential Left/Right Hand	Tapered Roller Bearing (Set)	BR72	2
Pinion	Seal	<input type="checkbox"/> 43085	1
Pinion Inner	Tapered Roller Bearing (Cup)	HM88610	1
Pinion Inner	Tapered Roller Bearing (Cone)	HM88648	1
Pinion Outer	Tapered Roller Bearing (Cup)	M86610	1
Pinion Outer	Tapered Roller Bearing (Cone)	M86649	1
Misc.	Crush Sleeve	<input type="checkbox"/> 183975	1
Misc.	.5 ml Thread Locker	<input type="checkbox"/> TL1	1
Misc.	3 oz Silicone Blue	<input type="checkbox"/> Sealant	1
Misc.	Brush	<input type="checkbox"/> BRUSH1	1
Misc.	Gear Marking Compound	<input type="checkbox"/> 35V05	1
Misc.	Pinion Nut	<input type="checkbox"/> PN6	1

SDK335-MK

APPLICATION	DESCRIPTION	PART NUMBER	QUANTITY
Differential Left/Right Hand	Tapered Roller Bearing (Set)	BR72	2
Pinion	Seal	<input type="checkbox"/> 43085	1
Pinion Inner	Tapered Roller Bearing (Cup)	HM88610	1
Pinion Inner	Tapered Roller Bearing (Cone)	HM88648	1
Pinion Outer	Tapered Roller Bearing (Cup)	M86610	1
Pinion Outer	Tapered Roller Bearing (Cone)	M86649	1
Misc.	Crush Sleeve	<input type="checkbox"/> 183975	1
Misc.	.5 ml Thread Locker	<input type="checkbox"/> TL1	1
Misc.	3 oz Silicone Blue	<input type="checkbox"/> Sealant	1
Misc.	Brush	<input type="checkbox"/> BRUSH1	1
Misc.	Gear Marking Compound	<input type="checkbox"/> 35V05	1
Misc.	Pinion Nut	<input type="checkbox"/> PN6	1
Misc.	Differential Shim Set	<input type="checkbox"/> SK28	1
Misc.	Pinion Shim Set	<input type="checkbox"/> SK29	1
Misc.	Ring Gear Bolt	<input type="checkbox"/> RGB5	8

SDK335-C

APPLICATION	DESCRIPTION	PART NUMBER	QUANTITY
Differential Left/Right Hand	Tapered Roller Bearing (Set)	BR72	2
Pinion	Seal	<input type="checkbox"/> DS49153	1
Pinion Inner	Tapered Roller Bearing (Cup)	HM88610	1
Pinion Inner	Tapered Roller Bearing (Cone)	HM88648	1
Pinion Outer	Tapered Roller Bearing (Cup)	M86610	1
Pinion Outer	Tapered Roller Bearing (Cone)	M86649	1
Misc.	Crush Sleeve	<input type="checkbox"/> CS344	1
Misc.	.5 ml Thread Locker	<input type="checkbox"/> TL1	1
Misc.	3 oz Silicone Blue	<input type="checkbox"/> Sealant	1
Misc.	Brush	<input type="checkbox"/> BRUSH1	1
Misc.	Gear Marking Compound	<input type="checkbox"/> 35V05	1
Misc.	Pinion Nut	<input type="checkbox"/> PN6	1

■ Use Speedi-Sleeves to repair grooved shafts (Not Included)

Not Sold Separately

DIFFERENTIAL KIT CONTENTS—Light Duty

SDK335-CMK

APPLICATION	DESCRIPTION	PART NUMBER	QUANTITY
Differential Left/Right Hand	Tapered Roller Bearing (Set)	BR72	2
Pinion	Seal	<input type="checkbox"/> DS49153	1
Pinion Inner	Tapered Roller Bearing (Cup)	HM88610	1
Pinion Inner	Tapered Roller Bearing (Cone)	HM88648	1
Pinion Outer	Tapered Roller Bearing (Cup)	M86610	1
Pinion Outer	Tapered Roller Bearing (Cone)	M86649	1
Misc.	Crush Sleeve	<input type="checkbox"/> CS344	1
Misc.	.5 ml Thread Locker	<input type="checkbox"/> TL1	1
Misc.	3 oz Silicone Blue	<input type="checkbox"/> Sealant	1
Misc.	Brush	<input type="checkbox"/> BRUSH1	1
Misc.	Gear Marking Compound	<input type="checkbox"/> 35V05	1
Misc.	Pinion Nut	<input type="checkbox"/> PN6	1
Misc.	Differential Shim Set	<input type="checkbox"/> SK28	1
Misc.	Pinion Shim Set	<input type="checkbox"/> SK29	1
Misc.	Ring Gear Bolt	<input type="checkbox"/> RGB5	8

SDK336

APPLICATION	DESCRIPTION	PART NUMBER	QUANTITY
Differential Left/Right Hand	Tapered Roller Bearing (Cone)	JLM104948	2
Differential Left/Right Hand	Tapered Roller Bearing (Cup)	LM104911-A	2
Pinion	Seal	15788	1
	<i>Speedi-Sleeve</i>	<input checked="" type="checkbox"/> 99155	
Pinion Inner	Tapered Roller Bearing (Cup)	HM88610	1
Pinion Inner	Tapered Roller Bearing (Cone)	HM88649	1
Pinion Outer	Tapered Roller Bearing (Cup)	BR02820	1
Pinion Outer	Tapered Roller Bearing (Cone)	BR02872	1
Misc.	.5 ml Thread Locker	<input type="checkbox"/> TL1	1
Misc.	3 oz Silicone Blue	<input type="checkbox"/> Sealant	1
Misc.	Brush	<input type="checkbox"/> BRUSH1	1
Misc.	Gear Marking Compound	<input type="checkbox"/> 35V05	1
Misc.	Pinion Nut	<input type="checkbox"/> PN8-F	1

SDK337

APPLICATION	DESCRIPTION	PART NUMBER	QUANTITY
Differential Left/Right Hand	Tapered Roller Bearing (Cup)	453-X	2
Differential Left/Right Hand	Tapered Roller Bearing (Cone)	BR469	2
Pinion	Seal	25140	1
	<i>Speedi-Sleeve</i>	<input checked="" type="checkbox"/> 99250	
Pinion Front Inner	Tapered Roller Bearing (Cup)	M802011	1
Pinion Front Inner	Tapered Roller Bearing (Cone)	M802048	1
Pinion Front Outer	Tapered Roller Bearing (Cup)	HM807010	1
Pinion Front Outer	Tapered Roller Bearing (Cone)	HM807046	1
Misc.	.5 ml Thread Locker	<input type="checkbox"/> TL1	1
Misc.	3 oz Silicone Blue	<input type="checkbox"/> Sealant	1
Misc.	Brush	<input type="checkbox"/> BRUSH1	1
Misc.	Gear Marking Compound	<input type="checkbox"/> 35V05	1
Misc.	Pinion Nut	<input type="checkbox"/> PN10	1

Use Speedi-Sleeves to repair grooved shafts (Not Included) Not Sold Separately

DIFFERENTIAL KIT CONTENTS—Light Duty

SDK337-MK

APPLICATION	DESCRIPTION	PART NUMBER	QUANTITY
Differential Left/Right Hand	Tapered Roller Bearing (Cup)	453-X	2
Differential Left/Right Hand	Tapered Roller Bearing (Cone)	BR469	2
Pinion	Seal	25140	1
	<i>Speedi-Sleeve</i>	■ 99250	
Pinion Front Inner	Tapered Roller Bearing (Cup)	M802011	1
Pinion Front Inner	Tapered Roller Bearing (Cone)	M802048	1
Pinion Front Outer	Tapered Roller Bearing (Cup)	HM807010	1
Pinion Front Outer	Tapered Roller Bearing (Cone)	HM807046	1
Misc.	.5 ml Thread Locker	<input type="checkbox"/> TL1	1
Misc.	3 oz Silicone Blue	<input type="checkbox"/> Sealant	1
Misc.	Brush	<input type="checkbox"/> BRUSH1	1
Misc.	Gear Marking Compound	<input type="checkbox"/> 35V05	1
Misc.	Pinion Nut	<input type="checkbox"/> PN10	1
Misc.	Differential Shim Set	<input type="checkbox"/> SK31	1
Misc.	Pinion Shim Set	<input type="checkbox"/> SK43	1
Misc.	Pinion Adjusting Shim Set	<input type="checkbox"/> SK44	1
Misc.	Ring Gear Bolt	<input type="checkbox"/> RGB13	12

SDK339

APPLICATION	DESCRIPTION	PART NUMBER	QUANTITY
Pinion	Seal	15788	1
	<i>Speedi-Sleeve</i>	■ 99155	
Pinion Front Inner	Tapered Roller Bearing (Cup)	HM88610	1
Pinion Front Inner	Tapered Roller Bearing (Cone)	HM88649	1
Differential	Tapered Roller Bearing (Cup)	LM603011	2
Differential	Tapered Roller Bearing (Cone)	LM603049	2
Pinion Front Outer	Tapered Roller Bearing (Cup)	M86610	1
Pinion Front Outer	Tapered Roller Bearing (Cone)	M86647	1
Misc.	.5 ml Thread Locker	<input type="checkbox"/> TL1	1
Misc.	3 oz Silicone Blue	<input type="checkbox"/> Sealant	1
Misc.	Brush	<input type="checkbox"/> BRUSH1	1
Misc.	Gear Marking Compound	<input type="checkbox"/> 35V05	1
Misc.	Pinion Nut	<input type="checkbox"/> PN8-F	1

SDK339-A

APPLICATION	DESCRIPTION	PART NUMBER	QUANTITY
Differential Left/Right Hand	Tapered Roller Bearing (Cup)	LM603012	2
Differential Left/Right Hand	Tapered Roller Bearing (Cone)	LM603049	2
Pinion	Seal	18891	1
	<i>Speedi-Sleeve</i>	■ 99187	
Pinion Front Inner	Tapered Roller Bearing (Cup)	M802011	1
Pinion Front Inner	Tapered Roller Bearing (Cone)	M802048	1
Pinion Front Outer	Tapered Roller Bearing (Cup)	M88010	1
Pinion Front Outer	Tapered Roller Bearing (Cone)	M88048	1
Misc.	.5 ml Thread Locker	<input type="checkbox"/> TL1	1
Misc.	3 oz Silicone Blue	<input type="checkbox"/> Sealant	1
Misc.	Brush	<input type="checkbox"/> BRUSH1	1
Misc.	Crush Sleeve	<input type="checkbox"/> CS333	1
Misc.	Gear Marking Compound	<input type="checkbox"/> 35V05	1
Misc.	Pinion Nut	<input type="checkbox"/> PN5	1

■ Use Speedi-Sleeves to repair grooved shafts (Not Included)

Not Sold Separately

DIFFERENTIAL KIT CONTENTS—Light Duty

SDK339-AMK

APPLICATION	DESCRIPTION	PART NUMBER	QUANTITY
Differential Left/Right Hand	Tapered Roller Bearing (Cup)	LM603012	2
Differential Left/Right Hand	Tapered Roller Bearing (Cone)	LM603049	2
Pinion	Seal	18891	1
	<i>Speedi-Sleeve</i>	■ 99187	
Pinion Front Inner	Tapered Roller Bearing (Cup)	M802011	1
Pinion Front Inner	Tapered Roller Bearing (Cone)	M802048	1
Pinion Front Outer	Tapered Roller Bearing (Cup)	M88010	1
Pinion Front Outer	Tapered Roller Bearing (Cone)	M88048	1
Misc.5 ml Thread Locker	□ TL1	1
Misc.	3 oz Silicone Blue	□ Sealant	1
Misc.	Brush	□ BRUSH1	1
Misc.	Crush Sleeve	□ CS333	1
Misc.	Gear Marking Compound	□ 35V05	1
Misc.	Pinion Nut	□ PN5	1
Misc.	Pinion Shim Set	□ SK4	1
Misc.	Differential Shim Set	□ SK7	1
Misc.	Ring Gear Bolt	□ RGB5	10

SDK339-B

APPLICATION	DESCRIPTION	PART NUMBER	QUANTITY
Differential Left/Right Hand	Tapered Roller Bearing (Cup)	BR25523	2
Differential Left/Right Hand	Tapered Roller Bearing (Cone)	BR25590	2
Pinion	Seal	15788	1
	<i>Speedi-Sleeve</i>	■ 99155	
Pinion Front Inner	Tapered Roller Bearing (Cup)	BR31520	1
Pinion Front Inner	Tapered Roller Bearing (Cone)	BR31594	1
Pinion Front Outer	Tapered Roller Bearing (Cup)	BR02820	1
Pinion Front Outer	Tapered Roller Bearing (Cone)	BR02872	1
Misc.5 ml Thread Locker	□ TL1	1
Misc.	3 oz Silicone Blue	□ Sealant	1
Misc.	Brush	□ BRUSH1	1
Misc.	Gear Marking Compound	□ 35V05	1
Misc.	Pinion Nut	□ PN8-F	1

■ Use Speedi-Sleeves to repair grooved shafts (Not Included)

□ Not Sold Separately

DIFFERENTIAL KIT CONTENTS—Light Duty

SDK339-BMK

APPLICATION	DESCRIPTION	PART NUMBER	QUANTITY
Differential Left/Right Hand	Tapered Roller Bearing (Cup)	BR25523	2
Differential Left/Right Hand	Tapered Roller Bearing (Cone)	BR25590	2
Pinion	Seal	15788	1
	<i>Speedi-Sleeve</i>	■ 99155	
Pinion Front Inner	Tapered Roller Bearing (Cup)	BR31520	1
Pinion Front Inner	Tapered Roller Bearing (Cone)	BR31594	1
Pinion Front Outer	Tapered Roller Bearing (Cup)	BR02820	1
Pinion Front Outer	Tapered Roller Bearing (Cone)	BR02872	1
Misc.5 ml Thread Locker	□ TL1	1
Misc.	3 oz Silicone Blue	□ Sealant	1
Misc.	Brush	□ BRUSH1	1
Misc.	Gear Marking Compound	□ 35V05	1
Misc.	Pinion Nut	□ PN8-F	1
Misc.	Pinion Shim Set	□ SK5	1
Misc.	Pinion Adjusting Shim Set	□ SK22	1
Misc.	Differential Shim Set	□ SK23	1
Misc.	Ring Gear Bolt	□ RGB5	10

■ Use Speedi-Sleeves to repair grooved shafts (Not Included)

□ Not Sold Separately

TRANSFER CASE KIT CONTENTS—Light Duty

STCK205-D

APPLICATION	DESCRIPTION	PART NUMBER	QUANTITY
Input Shaft (Diesel w/Std Trans).....	Seal.....	19255.....	1
	<i>Speedi-Sleeve</i>	■ 99193	
Input Shaft.....	Ball Bearing.....	6210-NRJ.....	1
Idler Shaft.....	Tapered Roller Bearing (Cup).....	BR2720.....	2
Idler Shaft.....	Tapered Roller Bearing (Cone).....	BR2793.....	2
Front Output (Frt)/Rear Output (Rr).....	Ball Bearing.....	6307-NRJ.....	2
Rear Output Shaft.....	Seal.....	21213.....	1
	<i>Speedi-Sleeve</i>	■ 99212	
Input Shaft (Gas or Diesel w/Auto Trans).....	Seal (1.375" Shaft).....	13557.....	2
	<i>Speedi-Sleeve</i>	■ 99138	
Shift Shaft.....	Seal.....	7440.....	2
	<i>Speedi-Sleeve</i>	■ 99076	
Front Output Shaft.....	Seal.....	17720.....	1
	<i>Speedi-Sleeve</i>	■ 99174	
Rear Output Shaft (Frt).....	Needle Bearing Assembly.....	B3216.....	1
Front Output Shaft (Rr).....	Needle Bearing Assembly.....	M28161.....	1
Misc.....	Gasket Set.....	□ GTK-205-1.....	1
Misc.....	Gasket Set.....	□ GTK-205GDM.....	1
Misc.....	O-Ring.....	□ OR-216.....	1
Misc.....	Small Parts Kit.....	□ SPK-205.....	1

STCK205-F

APPLICATION	DESCRIPTION	PART NUMBER	QUANTITY
Input Shaft.....	Ball Bearing.....	6210-NRJ.....	1
Shift Shaft.....	Seal.....	7443.....	2
	<i>Speedi-Sleeve</i>	■ 99076	
Idler Shaft.....	Tapered Roller Bearing (Cup).....	BR2720.....	2
Idler Shaft.....	Tapered Roller Bearing (Cone).....	BR2793.....	2
Input & Front Output Shaft (Frt).....	Ball Bearing.....	6307-NRJ.....	2
Input & Front Output Shaft.....	Seal.....	21213.....	2
	<i>Speedi-Sleeve</i>	■ 99212	
Rear Output Shaft (1979).....	Seal.....	18872.....	1
	<i>Speedi-Sleeve</i>	■ 99187	
Rear Output Shaft (1978-1976).....	Seal.....	21213.....	1
Output Shaft (Frt).....	Needle Bearing Assembly.....	B3216.....	1
Output Shaft (Rr).....	Needle Bearing Assembly.....	M28161.....	1
Mainshaft Pilot.....	Loose Needle Bearing.....	QAR29523.....	1
Low Gear.....	Needle Bearing Assembly.....	QBR23549.....	8
Misc.....	Gasket Set.....	□ GTK105-901C.....	1

■ Use Speedi-Sleeves to repair grooved shafts (Not Included)

□ Not Sold Separately

TRANSFER CASE KIT CONTENTS—Light Duty

STCK205-FA

APPLICATION	DESCRIPTION	PART NUMBER	QUANTITY
Shift Shaft.....	Seal.....	7443.....	2
	<i>Speedi-Sleeve</i>	■ 99076	
Idler Shaft.....	Tapered Roller Bearing (Cup).....	BR2720.....	2
Idler Shaft.....	Tapered Roller Bearing (Cone).....	BR2793.....	2
Input/Frt Output (Frt)/Rr Output (Rr).....	Ball Bearing.....	6307-NRJ.....	3
Input & Front Output Shaft.....	Seal.....	21213.....	3
	<i>Speedi-Sleeve</i>	■ 99212	
Rear Output Shaft (Frt).....	Needle Bearing Assembly.....	B3216.....	1
Front Output Shaft (Rr).....	Needle Bearing Assembly.....	M28161.....	1
Mainshaft Pilot.....	Loose Needle Bearing.....	QAR29523.....	1
Low Gear.....	Needle Bearing Assembly.....	QBR23549.....	8
Misc.....	Gasket Set.....	□ GTK105-901C.....	1

STCK205-G

APPLICATION	DESCRIPTION	PART NUMBER	QUANTITY
Input Shaft.....	Seal.....	19255.....	1
	<i>Speedi-Sleeve</i>	■ 99193	
Idler Shaft.....	Tapered Roller Bearing (Cup).....	BR2720.....	2
Idler Shaft.....	Tapered Roller Bearing (Cone).....	BR2793.....	2
Input/Frt Output (Frt)/Rr Output (Rr).....	Ball Bearing.....	6307-NRJ.....	3
Rear Output Shaft.....	Seal.....	21213.....	1
	<i>Speedi-Sleeve</i>	■ 99212	
Shift Shaft.....	Seal.....	7440.....	2
	<i>Speedi-Sleeve</i>	■ 99076	
Front Output Shaft.....	Seal.....	17720.....	1
	<i>Speedi-Sleeve</i>	■ 99174	
Rear Output Shaft.....	Seal.....	18992.....	1
Output Shaft (Frt).....	Needle Bearing Assembly.....	B3216.....	1
Yoke.....	Washer.....	□ GTK-205STAR.....	1
Output Shaft (Rr).....	Needle Bearing Assembly.....	M28161.....	1
Misc.....	Transmission Gasket set.....	□ GT-172.....	1
Misc.....	O-Ring.....	□ OR-216.....	1
Misc.....	Small Parts Kit.....	□ SPK-205.....	1

■ Use Speedi-Sleeves to repair grooved shafts (Not Included)

□ Not Sold Separately

TRANSFER CASE KIT CONTENTS—Light Duty

STCK205-GDM4

APPLICATION	DESCRIPTION	PART NUMBER	QUANTITY
Input Shaft	Seal	19255	1
	<i>Speedi-Sleeve</i>	■ 99193	
Input Shaft	Ball Bearing	6210-NRJ	1
Idler Gear (Frt & Rr)	Tapered Roller Bearing (Cup)	BR2720	2
Idler Gear (Frt & Rr)	Tapered Roller Bearing (Cone)	BR2793	2
Front Output (Frt)/Rr Output (Rr) ...	Ball Bearing	6307-NRJ	2
Rear Output Shaft	Seal	21213	1
	<i>Speedi-Sleeve</i>	■ 99212	
Shift Shaft	Seal	7440	2
	<i>Speedi-Sleeve</i>	■ 99076	
Front Output Shaft	Seal	17720	1
	<i>Speedi-Sleeve</i>	■ 99174	
Rear Output Shaft	Seal	18992	1
Output Shaft (Frt)	Needle Bearing Assembly	B3216	1
Output Shaft (Rr)	Needle Bearing Assembly	M28161	1
Misc	Gasket Set	□ GTK-205GDM	1
Misc	O-Ring	□ OR-216	1
Misc	Small Parts Kit	□ SPK-205	1

STCK207

APPLICATION	DESCRIPTION	PART NUMBER	QUANTITY
Input Shaft	Seal	19255	1
	<i>Speedi-Sleeve</i>	■ 99193	
Oil Pump	Seal	22306	1
	<i>Speedi-Sleeve</i>	■ 99225	
Mainshaft (Rr)/Front Output (Frt) ...	Ball Bearing	6206-2RSJ	2
Front Output Shaft	Seal	15729	1
Rear Output Shaft	Seal	15041	1
	<i>Speedi-Sleeve</i>	■ 99149	
Front Output Shaft (Rr)	Needle Bearing	B228	1
Mainshaft (Frt)	Needle Bearing	HK4020	2
Input Shaft (Fr)	Needle Bearing	□ J3210	2
Mainshaft Pilot	Needle Bearing	□ JH1810	1
Input Shaft Thrust	Needle Bearing	□ NTA3244	1
Input Shaft Thrust	Washer	TRC3244	1
Misc	Fork Pads	□ ZM1000	1
Misc	Fork Pads	□ 4167969	4
Misc	Fork Pads	□ 4219073	1
Misc	Gasket Set	□ GTK-207	1

■ Use Speedi-Sleeves to repair grooved shafts (Not Included)

□ Not Sold Separately

TRANSFER CASE KIT CONTENTS—Light Duty

STCK208

APPLICATION	DESCRIPTION	PART NUMBER	QUANTITY
Mainshaft Front.....	Max Ball Bearing.....	207-NRJ.....	1
Input Shaft.....	Seal.....	19255.....	1
	<i>Speedi-Sleeve</i>	■ 99193.....	
Oil Pump.....	Seal.....	22306.....	1
	<i>Speedi-Sleeve</i>	■ 99225.....	
Front Output Shaft.....	Seal.....	18662.....	1
	<i>Speedi-Sleeve</i>	■ 99187.....	
Rear Output Shaft.....	Seal.....	18658.....	1
	<i>Speedi-Sleeve</i>	■ 99187.....	
Rear Output Shaft.....	Seal.....	18992.....	1
Input Shaft Thrust.....	Needle Bearing Assembly.....	AXK5070.....	1
Mainshaft Pilot.....	Needle Bearing Assembly.....	B2012.....	1
Front Output Shaft (Rr).....	Needle Bearing.....	B2416.....	1
Front Output Shaft (Frt).....	Needle Bearing Assembly.....	B2816.....	1
Input Shaft.....	Needle Bearing Assembly.....	B5020.....	2
Sprocket.....	Loose Needle Bearing.....	C1086-Q.....	6
Mainshaft Thrust.....	Needle Bearing.....	NTA2435.....	1
Front Output Shaft Thrust (Frt & Rr).....	Needle Bearing Assembly.....	NTA2840.....	2
Misc.....	Fork Pads.....	□ 4167969.....	4
Misc.....	Fork Pads.....	□ 4167970.....	1
Misc.....	Fork Pads.....	□ 4219073.....	1
Misc.....	Gasket Set.....	□ GTK-208.....	1

STCK226

APPLICATION	DESCRIPTION	PART NUMBER	QUANTITY
Front Output Shaft (Frt & Rr).....	Ball Bearing.....	6007-J.....	2
Rear Output Shaft.....	Seal.....	18860.....	1
Input Shaft.....	Ball Bearing.....	5210-ANRX.....	1
Rear Output Shaft.....	Seal.....	□ NV22452.....	1
Input Shaft Thrust (Frt).....	Washer.....	□ NV29133.....	1
Front Output Shaft.....	Seal.....	□ NV29869.....	1
Input Shaft.....	Seal.....	□ NV29870.....	1
Input Shaft Thrust (Rr).....	Washer.....	□ NV30334.....	1
Pick-Up Tube.....	O-Ring.....	□ OR-013.....	1
Rear Output Shaft (Rr).....	Ball Bearing.....	□ ZB1061.....	1
Clutch Housing.....	Needle Bearing.....	□ ZN1146.....	1
Rear Output Shaft Pilot.....	Needle Bearing.....	□ ZN1180.....	1
Clutch Housing Thrust.....	Needle Bearing.....	□ ZN1182.....	1
Shift Shaft.....	Needle Bearing.....	□ ZN1183.....	1

■ Use Speedi-Sleeves to repair grooved shafts (Not Included)

□ Not Sold Separately

TRANSFER CASE KIT CONTENTS—Light Duty

STCK231

APPLICATION	DESCRIPTION	PART NUMBER	QUANTITY
Input Shaft	Seal	19255	1
	<i>Speedi-Sleeve</i>	■ 99193	
Front Output (Frt)/Rr Output (Rr)	Ball Bearing	6206-NRJ	2
Rear Output Shaft (Dodge)	Seal	15546	1
	<i>Speedi-Sleeve</i>	■ 99156	
Oil Pump	Seal	22306	1
	<i>Speedi-Sleeve</i>	■ 99225	
Front Output Shaft	Seal	15440	1
	<i>Speedi-Sleeve</i>	■ 99155	
Rear Output Shaft (Jeep & Chev.)	Seal	15041	1
	<i>Speedi-Sleeve</i>	■ 99149	
Front Output Shaft (Rr)	Needle Bearing	B2416	1
Drive Sprocket	Needle Bearing Assembly	B5020	2
Input Shaft	Ball Bearing	5210-ANRX	1
Yoke	Washer	□ GTK-207STAR	1
Oil Pump	O-Ring	□ OR-109	1
Shift Shaft	O-Ring	□ OR-116	1
Planetary Thrust	Washer	□ ZM1001	2
Input Shaft Pilot	Needle Bearing	□ ZN1065	1
Misc	Fork Pads	□ 4167969	4
Misc	Fork Pads	□ 4167970	1
Misc	Fork Pads	□ 4219073	1
Misc	LD Transmission Gasket	□ GT-243	1
Misc	Gasket Set	□ GTK-207-1	1
Misc	O-Ring	□ OR-013	2
Misc	O-Ring	□ OR-015	1

STCK231-BB

APPLICATION	DESCRIPTION	PART NUMBER	QUANTITY
Input Shaft	Seal	19255	1
	<i>Speedi-Sleeve</i>	■ 99193	
Front Output Shaft (Frt)	Ball Bearing	6206-NRJ	1
Rear Output Shaft (Rr)	Max Ball Bearing	6207-J	1
Oil Pump	Seal	22306	1
	<i>Speedi-Sleeve</i>	■ 99225	
Front Output Shaft	Seal	15440	1
	<i>Speedi-Sleeve</i>	■ 99155	
Rear Output Shaft	Seal	15041	1
	<i>Speedi-Sleeve</i>	■ 99149	
Front Output Shaft (Rr)	Needle Bearing	B2416	1
Drive Sprocket	Needle Bearing Assembly	B5020	2
Input Shaft	Ball Bearing	5210-ANRX	1
Yoke	Washer	□ GTK-207STAR	1
Oil Pump	O-Ring	□ OR-109	1
Shift Shaft	O-Ring	□ OR-116	1
Planetary Thrust	Washer	□ ZM1001	2
Input Shaft Pilot	Needle Bearing	□ ZN1065	1
Misc	Fork Pads	□ 4167969	4
Misc	Fork Pads	□ 4167970	1
Misc	Fork Pads	□ 4219073	1
Misc	Gasket Set	□ GTK-207-1	1
Misc	O-Ring	□ OR-013	2
Misc	O-Ring	□ OR-015	1

■ Use Speedi-Sleeves to repair grooved shafts (Not Included)

□ Not Sold Separately

TRANSFER CASE KIT CONTENTS—Light Duty

STCK231-CC

APPLICATION	DESCRIPTION	PART NUMBER	QUANTITY
Input Shaft	Ball Bearing.....	6010-NRJ.....	1
Input Shaft	Seal.....	19255.....	1
	<i>Speedi-Sleeve</i>	■ 99193	
Front Output Shaft (Frt)	Ball Bearing.....	6206-NRJ.....	1
Rear Output Shaft (Rr)	Max Ball Bearing.....	6207-J.....	1
Oil Pump.....	Seal.....	22306.....	1
	<i>Speedi-Sleeve</i>	■ 99225	
Front Output Shaft.....	Seal.....	11778.....	1
Rear Output Shaft.....	Seal (1.886" Shaft).....	18992.....	1
Rear Output Shaft.....	Seal (1.50" Shaft).....	15041.....	1
	<i>Speedi-Sleeve</i>	■ 99149	
Front Output Shaft (Rr).....	Needle Bearing	B2416	1
Drive Sprocket.....	Needle Bearing Assembly.....	B5020	2
Yoke.....	Washer.....	□ GTK-207STAR.....	1
Oil Pump.....	O-Ring.....	□ OR-109	1
Shift Shaft.....	O-Ring.....	□ OR-116	1
Planetary Thrust	Washer.....	□ ZM1001	2
Input Shaft Pilot	Needle Bearing	□ ZN1065.....	1
Misc	Fork Pads.....	□ 4167969.....	4
Misc	Fork Pads.....	□ 4167970.....	1
Misc	Fork Pads.....	□ 4219073.....	1
Misc	Gasket Set	□ GTK-207-1.....	1
Misc	O-Ring.....	□ OR-013	2
Misc	O-Ring.....	□ OR-015.....	1

STCK231-DD

APPLICATION	DESCRIPTION	PART NUMBER	QUANTITY
Input Shaft	Ball Bearing.....	6010-NRJ.....	1
Input Shaft	Seal.....	19255.....	1
	<i>Speedi-Sleeve</i>	■ 99193	
Front Output Shaft (Frt)	Ball Bearing.....	6206-NRJ.....	1
Rear Output Shaft (Rr)	Max Ball Bearing.....	6207-J.....	1
Oil Pump.....	Seal.....	22306.....	1
	<i>Speedi-Sleeve</i>	■ 99225	
Front Output Shaft.....	Seal.....	11778.....	1
Rear Output Shaft.....	Seal.....	18992.....	1
Front Output Shaft (Rr).....	Needle Bearing	B2416	1
Drive Sprocket.....	Needle Bearing Assembly.....	B5020	2
Yoke.....	Washer.....	□ GTK-207STAR.....	1
Oil Pump.....	O-Ring.....	□ OR-109	1
Shift Shaft.....	O-Ring.....	□ OR-116	1
Planetary Thrust	Washer.....	□ ZM1001	2
Input Shaft Pilot	Needle Bearing	□ ZN1065.....	1
Misc	Fork Pads.....	□ 4167969.....	4
Misc	Fork Pads.....	□ 4167970.....	1
Misc	Fork Pads.....	□ 4219073.....	1
Misc	LD Transmission Gasket.....	□ GT-243.....	1
Misc	O-Ring.....	□ OR-013	2
Misc	O-Ring.....	□ OR-015.....	1

■ Use Speedi-Sleeves to repair grooved shafts (Not Included)

□ Not Sold Separately

TRANSFER CASE KIT CONTENTS—Light Duty

STCK231-EE

APPLICATION	DESCRIPTION	PART NUMBER	QUANTITY
Input Shaft	Ball Bearing.....	6010-NRJ.....	1
Input Shaft	Seal.....	19255.....	1
	<i>Speedi-Sleeve</i>	■ 99193	
Front Output (Frt)/Rr Output (Rr)....	Ball Bearing.....	6206-NRJ.....	2
Oil Pump.....	Seal.....	22306.....	1
	<i>Speedi-Sleeve</i>	■ 99225	
Front Output Shaft.....	Seal.....	15440.....	1
	<i>Speedi-Sleeve</i>	■ 99155	
Rear Output Shaft.....	Seal.....	18992.....	1
Rear Output Shaft.....	Seal.....	15041.....	1
	<i>Speedi-Sleeve</i>	■ 99149	
Front Output Shaft (Rr).....	Needle Bearing.....	B2416.....	1
Drive Sprocket.....	Needle Bearing Assembly.....	B5020.....	2
Yoke.....	Washer.....	□ GTK-207STAR.....	1
Oil Pump.....	O-Ring.....	□ OR-109.....	1
Shift Shaft.....	O-Ring.....	□ OR-116.....	1
Planetary Thrust.....	Washer.....	□ ZM1001.....	2
Input Shaft Pilot.....	Needle Bearing.....	□ ZN1065.....	1
Misc.....	Fork Pads.....	□ 4167969.....	4
Misc.....	Fork Pads.....	□ 4167970.....	1
Misc.....	Fork Pads.....	□ 4219073.....	1
Misc.....	LD Transmission Gasket.....	□ GT-243.....	1
Misc.....	O-Ring.....	□ OR-013.....	2
Misc.....	O-Ring.....	□ OR-015.....	1

STCK231-FF

APPLICATION	DESCRIPTION	PART NUMBER	QUANTITY
Input Shaft	Ball Bearing.....	6010-NRJ.....	1
Input Shaft	Seal.....	19255.....	1
	<i>Speedi-Sleeve</i>	■ 99193	
Front Output (Frt)/Rr Output (Rr)....	Ball Bearing.....	6206-NRJ.....	2
Oil Pump.....	Seal.....	22306.....	1
	<i>Speedi-Sleeve</i>	■ 99225	
Front Output Shaft.....	Seal.....	15440.....	2
	<i>Speedi-Sleeve</i>	■ 99155	
Rear Output Shaft.....	Seal.....	15041.....	1
	<i>Speedi-Sleeve</i>	■ 99149	
Front Output Shaft (Rr).....	Needle Bearing.....	B2416.....	1
Drive Sprocket.....	Needle Bearing Assembly.....	B5020.....	2
Yoke.....	Washer.....	□ GTK-207STAR.....	1
Rear Output Shaft.....	Seal.....	□ NV19129.....	1
Oil Pump.....	O-Ring.....	□ OR-109.....	1
Shift Shaft.....	O-Ring.....	□ OR-116.....	1
Planetary Thrust.....	Washer.....	□ ZM1001.....	2
Input Shaft Pilot.....	Needle Bearing.....	□ ZN1065.....	1
Misc.....	Fork Pads.....	□ 4167969.....	4
Misc.....	Fork Pads.....	□ 4167970.....	1
Misc.....	Fork Pads.....	□ 4219073.....	1
Misc.....	LD Transmission Gasket.....	□ GT-243.....	1
Misc.....	O-Ring.....	□ OR-013.....	2
Misc.....	O-Ring.....	□ OR-015.....	1

■ Use Speedi-Sleeves to repair grooved shafts (Not Included)

□ Not Sold Separately

TRANSFER CASE KIT CONTENTS—Light Duty

STCK241

APPLICATION	DESCRIPTION	PART NUMBER	QUANTITY
Input Shaft	Seal.....	19255.....	1
	<i>Speedi-Sleeve</i>	■ 99193.....	
Front Output (Frnt)/Rr Output (Rr)....	Max Ball Bearing.....	6207-J.....	2
Oil Pump.....	Seal.....	22306.....	1
	<i>Speedi-Sleeve</i>	■ 99225.....	
Front Output Shaft.....	Seal.....	18662.....	1
	<i>Speedi-Sleeve</i>	■ 99187.....	
Rear Output Shaft.....	Seal.....	18992.....	1
Front Output Shaft (Rr).....	Needle Bearing	B2416	1
Drive Sprocket.....	Needle Bearing Assembly.....	B5020	2
Input Shaft	Ball Bearing.....	5210-ANRX.....	1
Yoke.....	Washer.....	□ GTK-205STAR.....	1
Oil Pump.....	O-Ring.....	□ OR-109	1
Shift Shaft.....	O-Ring.....	□ OR-116	1
Planetary Thrust.....	Washer.....	□ ZM1001	2
Input Shaft Pilot	Needle Bearing	□ ZN1065.....	1
Misc.....	Fork Pads.....	□ ZM1000	1
Misc.....	Fork Pads.....	□ 4167969.....	4
Misc.....	Fork Pads.....	□ 4219073.....	1
Misc.....	LD Transmission Gasket.....	□ GT-243.....	1
Misc.....	O-Ring.....	□ OR-012.....	1
Misc.....	O-Ring.....	□ OR-014.....	2

STCK241-BB

APPLICATION	DESCRIPTION	PART NUMBER	QUANTITY
Input Shaft	Ball Bearing.....	6010-NRJ.....	1
Input Shaft	Seal.....	19255.....	1
	<i>Speedi-Sleeve</i>	■ 99193.....	
Front Output (Frnt)/Rr Output (Rr)....	Max Ball Bearing.....	6207-J.....	2
Oil Pump.....	Seal.....	22306.....	1
	<i>Speedi-Sleeve</i>	■ 99225.....	
Front Output Shaft.....	Seal.....	18662.....	1
	<i>Speedi-Sleeve</i>	■ 99187.....	
Rear Output Shaft.....	Seal.....	18992.....	1
Front Output Shaft (Rr).....	Needle Bearing	B2416	1
Drive Sprocket.....	Needle Bearing Assembly.....	B5020	2
Yoke.....	Washer.....	□ GTK-205STAR.....	1
Oil Pump.....	O-Ring.....	□ OR-109	1
Shift Shaft.....	O-Ring.....	□ OR-116	1
Planetary Thrust.....	Washer.....	□ ZM1001	2
Input Shaft Pilot	Needle Bearing	□ ZN1065.....	1
Misc.....	Fork Pads.....	□ ZM1000	1
Misc.....	Fork Pads.....	□ 4167969.....	4
Misc.....	Fork Pads.....	□ 4219073.....	1
Misc.....	LD Transmission Gasket.....	□ GT-243.....	1
Misc.....	O-Ring.....	□ OR-012.....	1
Misc.....	O-Ring.....	□ OR-014.....	2

■ Use Speedi-Sleeves to repair grooved shafts (Not Included)

□ Not Sold Separately

TRANSFER CASE KIT CONTENTS—Light Duty

STCK241-CC

APPLICATION	DESCRIPTION	PART NUMBER	QUANTITY
Input Shaft	Seal	19255	1
	<i>Speedi-Sleeve</i>	■ 99193	
Front Output (Frt)/Rr Output (Rr)	Max Ball Bearing	6207-J	2
Oil Pump	Seal	22306	1
	<i>Speedi-Sleeve</i>	■ 99225	
Front Output Shaft/Rr Output Shaft	Seal	18662	2
	<i>Speedi-Sleeve</i>	■ 99187	
Rear Output Shaft	Seal	18992	1
Front Output Shaft (Rr)	Needle Bearing	B2416	1
Drive Sprocket	Needle Bearing Assembly	B5020	2
Input Shaft	Ball Bearing	5210-ANRX	1
Yoke	Washer	□ GTK-205STAR	1
Oil Pump	O-Ring	□ OR-109	1
Shift Shaft	O-Ring	□ OR-116	1
Planetary Thrust	Washer	□ ZM1001	2
Input Shaft Pilot	Needle Bearing	□ ZN1174	1
Misc	Fork Pads	□ ZM1000	1
Misc	Fork Pads	□ 4167969	4
Misc	Fork Pads	□ 4219073	1
Misc	LD Transmission Gasket	□ GT-243	1
Misc	O-Ring	□ OR-012	1
Misc	O-Ring	□ OR-014	2

STCK241-DD

APPLICATION	DESCRIPTION	PART NUMBER	QUANTITY
Input Shaft	Seal	19255	1
	<i>Speedi-Sleeve</i>	■ 99193	
Front Output Shaft (Frt)	Max Ball Bearing	6207-J	1
Oil Pump	Seal	22306	1
	<i>Speedi-Sleeve</i>	■ 99225	
Front Output Shaft	Seal	18662	1
	<i>Speedi-Sleeve</i>	■ 99187	
Rear Output Shaft	Seal	22029	1
Front Output Shaft (Rr)	Needle Bearing	B2416	1
Drive Sprocket	Needle Bearing Assembly	B5020	2
Rear Output Shaft (Rr)	Ball Bearing	□ BB1-1015	1
Input Shaft	Ball Bearing	5210-ANRX	1
Yoke	Washer	□ GTK-205STAR	1
Oil Pump	O-Ring	□ OR-109	1
Shift Shaft	O-Ring	□ OR-116	1
Planetary Thrust	Washer	□ ZM1001	2
Input Shaft Pilot	Needle Bearing	□ ZN1174	1
Misc	Fork Pads	□ ZM1000	1
Misc	Fork Pads	□ 4167969	4
Misc	Fork Pads	□ 4219073	1
Misc	Needle Bearing	□ B3612	1
Misc	LD Transmission Gasket	□ GT-243	1
Misc	O-Ring	□ OR-012	1
Misc	O-Ring	□ OR-014	2

■ Use Speedi-Sleeves to repair grooved shafts (Not Included)

□ Not Sold Separately

TRANSFER CASE KIT CONTENTS—Light Duty

STCK241-EE

APPLICATION	DESCRIPTION	PART NUMBER	QUANTITY
Input Shaft	Ball Bearing.....	6010-NRJ.....	1
Input Shaft	Seal.....	19255.....	1
	<i>Speedi-Sleeve</i>	■ 99193.....	
Front Output (Frt)/Rr Output (Rr)....	Max Ball Bearing.....	6207-J.....	2
Oil Pump.....	Seal.....	22306.....	1
	<i>Speedi-Sleeve</i>	■ 99225.....	
Front Output Shaft.....	Seal.....	18662.....	1
	<i>Speedi-Sleeve</i>	■ 99187.....	
Rear Output Shaft.....	Seal.....	18992.....	1
Front Output Shaft (Rr).....	Needle Bearing	B2416	1
Drive Sprocket.....	Needle Bearing Assembly.....	B5020	2
Yoke.....	Washer.....	□ GTK-205STAR.....	1
Oil Pump.....	O-Ring.....	□ OR-109	1
Shift Shaft.....	O-Ring.....	□ OR-116	1
Planetary Thrust.....	Washer.....	□ ZM1001	2
Input Shaft Pilot.....	Needle Bearing	□ ZN1174	1
Misc.....	Fork Pads.....	□ ZM1000	1
Misc.....	Fork Pads.....	□ 4167969.....	4
Misc.....	Fork Pads.....	□ 4219073.....	1
Misc.....	LD Transmission Gasket.....	□ GT-243.....	1
Misc.....	O-Ring.....	□ OR-012.....	1
Misc.....	O-Ring.....	□ OR-014.....	2

STCK241-FF

APPLICATION	DESCRIPTION	PART NUMBER	QUANTITY
Input Shaft	Ball Bearing.....	6010-NRJ.....	1
Input Shaft	Seal.....	19255.....	1
	<i>Speedi-Sleeve</i>	■ 99193.....	
Front Output Shaft (Frt).....	Max Ball Bearing.....	6207-J.....	1
Oil Pump.....	Seal.....	22306.....	1
	<i>Speedi-Sleeve</i>	■ 99225.....	
Front Output Shaft.....	Seal.....	18662.....	1
	<i>Speedi-Sleeve</i>	■ 99187.....	
Rear Output Shaft.....	Seal.....	22029.....	1
Front Output Shaft (Rr).....	Needle Bearing	B2416	1
Drive Sprocket.....	Needle Bearing Assembly.....	B5020	2
Rear Output Shaft (Rr).....	Ball Bearing.....	□ BB1-1015.....	1
Yoke.....	Washer.....	□ GTK-205STAR.....	1
Oil Pump.....	O-Ring.....	□ OR-109	1
Shift Shaft.....	O-Ring.....	□ OR-116	1
Planetary Thrust.....	Washer.....	□ ZM1001	2
Input Shaft Pilot.....	Needle Bearing	□ ZN1174	1
Misc.....	Fork Pads.....	□ ZM1000	1
Misc.....	Fork Pads.....	□ 4167969.....	4
Misc.....	Fork Pads.....	□ 4219073.....	1
Misc.....	Needle Bearing	□ B3612	1
Misc.....	LD Transmission Gasket.....	□ GT-243.....	1
Misc.....	O-Ring.....	□ OR-012.....	1
Misc.....	O-Ring.....	□ OR-014.....	2

■ Use Speedi-Sleeves to repair grooved shafts (Not Included) □ Not Sold Separately

TRANSFER CASE KIT CONTENTS—Light Duty

STCK242

APPLICATION	DESCRIPTION	PART NUMBER	QUANTITY
Input Shaft	Seal	19255	1
	<i>Speedi-Sleeve</i>	■ 99193	
Rear Output Shaft (Rr)	Ball Bearing	6206-NRJ	1
Front Output Shaft (Frt)	Max Ball Bearing	6207-J	1
Oil Pump	Seal	22306	1
	<i>Speedi-Sleeve</i>	■ 99225	
Front Output Shaft	Seal	18662	1
	<i>Speedi-Sleeve</i>	■ 99187	
Rear Output Shaft	Seal	15041	1
	<i>Speedi-Sleeve</i>	■ 99149	
Front Output Shaft (Rr)	Needle Bearing	B2416	1
Input Shaft	Ball Bearing	5210-ANRX	1
Yoke	Washer	<input type="checkbox"/> GTK-205STAR	1
Oil Pump	O-Ring	<input type="checkbox"/> OR-109	1
Shift Shaft	O-Ring	<input type="checkbox"/> OR-116	1
Drive Sprocket	Needle Bearing	<input type="checkbox"/> Q8308	1
Planetary Thrust	Washer	<input type="checkbox"/> ZM1001	2
Input Shaft Pilot	Needle Bearing	<input type="checkbox"/> ZN1065	1
Misc	Fork Pads	<input type="checkbox"/> ZM1000	1
Misc	Fork Pads	<input type="checkbox"/> 4167969	4
Misc	Fork Pads	<input type="checkbox"/> 4167970	1
Misc	LD Transmission Gasket	<input type="checkbox"/> GT-243	1
Misc	O-Ring	<input type="checkbox"/> OR-014	2

STCK242-AA

APPLICATION	DESCRIPTION	PART NUMBER	QUANTITY
Input Shaft	Seal	19255	1
	<i>Speedi-Sleeve</i>	■ 99193	
Rear Output Shaft (Rr)	Ball Bearing	6206-NRJ	1
Front Output Shaft (Frt)	Ball Bearing	6207-NRJ	1
Oil Pump	Seal	22306	1
	<i>Speedi-Sleeve</i>	■ 99225	
Rear Output Shaft	Seal	18994	1
Rear Output Shaft	Seal	15041	1
	<i>Speedi-Sleeve</i>	■ 99149	
Front Output Shaft (Rr)	Needle Bearing	B2416	1
Input Shaft	Ball Bearing	5210-ANRX	1
Yoke	Washer	<input type="checkbox"/> GTK-205STAR	1
Oil Pump	O-Ring	<input type="checkbox"/> OR-108	1
Oil Pump	O-Ring	<input type="checkbox"/> OR-109	1
Shift Shaft	O-Ring	<input type="checkbox"/> OR-116	1
Drive Sprocket	Needle Bearing	<input type="checkbox"/> Q8308	1
Rear Output Shaft	Seal	18507	1
Planetary Thrust	Washer	<input type="checkbox"/> ZM1001	2
Input Shaft Pilot	Needle Bearing	<input type="checkbox"/> ZN1065	1
Misc	Fork Pads	<input type="checkbox"/> ZM1000	1
Misc	Fork Pads	<input type="checkbox"/> 4167969	4
Misc	Fork Pads	<input type="checkbox"/> 4167970	1
Misc	LD Transmission Gasket	<input type="checkbox"/> GT-243	1
Misc	O-Ring	<input type="checkbox"/> OR-014	2

■ Use Speedi-Sleeves to repair grooved shafts (Not Included)

Not Sold Separately

TRANSFER CASE KIT CONTENTS—Light Duty

STCK242-BB

APPLICATION	DESCRIPTION	PART NUMBER	QUANTITY
Input Shaft	Ball Bearing.....	6010-NRJ.....	1
Front Output Shaft.....	Seal.....	18758.....	1
Input Shaft	Seal.....	19255.....	1
	<i>Speedi-Sleeve</i>	■ 99193.....	
Rear Output Shaft (Rr)	Ball Bearing.....	6206-NRJ.....	1
Front Output Shaft (Frt)	Max Ball Bearing.....	6207-J.....	1
Oil Pump.....	Seal.....	22306.....	1
	<i>Speedi-Sleeve</i>	■ 99225.....	
Front Output Shaft.....	Seal.....	18662.....	1
	<i>Speedi-Sleeve</i>	■ 99187.....	
Shift Shaft.....	Seal.....	7410.....	1
	<i>Speedi-Sleeve</i>	■ 99076.....	
Rear Output Shaft.....	Seal.....	15041.....	1
	<i>Speedi-Sleeve</i>	■ 99149.....	
Front Output Shaft (Rear).....	Needle Bearing	B2416	1
Yoke.....	Washer.....	□ GTK-205STAR.....	1
Shift Shaft.....	Needle Bearing	□ J1212.....	1
Rear Output Shaft.....	Seal.....	□ NV19129.....	1
Oil Pump.....	O-Ring.....	□ OR-109.....	1
Shift Shaft.....	O-Ring.....	□ OR-116	1
Drive Sprocket.....	Needle Bearing	□ Q8308.....	1
Planetary Thrust.....	Washer.....	□ ZM1001	2
Input Shaft Pilot.....	Needle Bearing	□ ZN1065.....	1
Misc.....	Fork Pads.....	□ ZM1000	1
Misc.....	Fork Pads.....	□ 4167969.....	4
Misc.....	Fork Pads.....	□ 4167970.....	1
Misc.....	LD Transmission Gasket.....	□ GT-243.....	1
Misc.....	O-Ring.....	□ OR-014	2

■ Use Speedi-Sleeves to repair grooved shafts (Not Included)

□ Not Sold Separately

TRANSFER CASE KIT CONTENTS—Light Duty

STCK242-CC

APPLICATION	DESCRIPTION	PART NUMBER	QUANTITY
Input Shaft	Ball Bearing.....	6010-NRJ.....	1
Front Output Shaft.....	Seal.....	18758.....	1
Input Shaft	Seal.....	19255.....	1
	<i>Speedi-Sleeve</i>	■ 99193.....	
Front Output Shaft (Frt).....	Max Ball Bearing.....	6207-J.....	1
Oil Pump.....	Seal.....	22306.....	1
	<i>Speedi-Sleeve</i>	■ 99225.....	
Shift Shaft.....	Seal.....	7410.....	1
	<i>Speedi-Sleeve</i>	■ 99076.....	
Front Output Shaft (Rr).....	Needle Bearing.....	B2416.....	1
Rear Output Shaft (Rr).....	Ball Bearing.....	□ BB1-1015.....	1
Yoke.....	Washer.....	□ GTK-205STAR.....	1
Shift Shaft.....	Needle Bearing.....	□ J1212.....	1
Rear Output Shaft.....	Seal.....	□ NV30138.....	1
Oil Pump.....	O-Ring.....	□ OR-109.....	1
Shift Shaft.....	O-Ring.....	□ OR-116.....	1
Drive Sprocket.....	Needle Bearing.....	□ Q8308.....	1
Planetary Thrust.....	Washer.....	□ ZM1001.....	2
Input Shaft Pilot.....	Needle Bearing.....	□ ZN1065.....	1
Misc.....	Fork Pads.....	□ ZM1000.....	1
Misc.....	Fork Pads.....	□ 4167969.....	4
Misc.....	Fork Pads.....	□ 4167970.....	1
Misc.....	LD Transmission Gasket.....	□ GT-243.....	1
Misc.....	O-Ring.....	□ OR-014.....	2

STCK242-DD

APPLICATION	DESCRIPTION	PART NUMBER	QUANTITY
Input Shaft	Ball Bearing.....	6010-NRJ.....	1
Front Output Shaft.....	Seal.....	18758.....	1
Input Shaft	Seal.....	19255.....	1
	<i>Speedi-Sleeve</i>	■ 99193.....	
Front Output (Frt)/Rr Output (Rr)....	Max Ball Bearing.....	6207-J.....	2
Oil Pump.....	Seal.....	22306.....	1
	<i>Speedi-Sleeve</i>	■ 99225.....	
Rear Output Shaft.....	Seal.....	15440.....	1
	<i>Speedi-Sleeve</i>	■ 99155.....	
Shift Shaft.....	Seal.....	7410.....	1
	<i>Speedi-Sleeve</i>	■ 99076.....	
Front Output Shaft (Rr).....	Needle Bearing.....	B2416.....	1
Yoke.....	Washer.....	□ GTK-205STAR.....	1
Shift Shaft.....	Needle Bearing.....	□ J1212.....	1
Rear Output Shaft.....	Seal.....	□ NV22507.....	1
Oil Pump.....	O-Ring.....	□ OR-109.....	1
Shift Shaft.....	O-Ring.....	□ OR-116.....	1
Drive Sprocket.....	Needle Bearing.....	□ Q8308.....	1
Plantetary Thrust.....	Washer.....	□ ZM1001.....	2
Input Shaft Pilot.....	Needle Bearing.....	□ ZN1065.....	1
Misc.....	Fork Pads.....	□ ZM1000.....	1
Misc.....	Fork Pads.....	□ 4167969.....	4
Misc.....	Fork Pads.....	□ 4167970.....	1
Misc.....	LD Transmission Gasket.....	□ GT-243.....	1
Misc.....	O-Ring.....	□ OR-014.....	2

■ Use Speedi-Sleeves to repair grooved shafts (Not Included)

□ Not Sold Separately

TRANSFER CASE KIT CONTENTS—Light Duty

STCK242-EE

APPLICATION	DESCRIPTION	PART NUMBER	QUANTITY
Front Output/Rear Output.....	Seal.....	18758.....	2
Input Shaft.....	Seal.....	19255.....	1
	<i>Speedi-Sleeve</i>	■ 99193.....	
Front Output (Frt)/Rr Output (Rr)....	Ball Bearing.....	6207-J.....	2
Oil Pump.....	Seal.....	22306.....	1
	<i>Speedi-Sleeve</i>	■ 99225.....	
Shift Shaft.....	Seal.....	7410.....	1
	<i>Speedi-Sleeve</i>	■ 99076.....	
Front Output Shaft (Rr).....	Needle Bearing.....	B2416.....	1
Input Shaft.....	Ball Bearing.....	5210-ANRX.....	1
Yoke.....	Washer.....	□ GTK-205STAR.....	1
Shift Shaft.....	Needle Bearing.....	□ J1212.....	1
Rear Output Shaft.....	Seal.....	□ NV22507.....	1
Oil Pump.....	O-Ring.....	□ OR-109.....	1
Shift Shaft.....	O-Ring.....	□ OR-116.....	1
Drive Sprocket.....	Needle Bearing.....	□ Q8308.....	1
Planetary Thrust.....	Washer.....	□ ZM1001.....	2
Input Shaft Pilot.....	Needle Bearing.....	□ ZN1065.....	1
Misc.....	Fork Pads.....	□ ZM1000.....	1
Misc.....	Fork Pads.....	□ 4167969.....	4
Misc.....	Fork Pads.....	□ 4167970.....	1
Misc.....	LD Transmission Gasket.....	□ GT-243.....	1
Misc.....	O-Ring.....	□ OR-014.....	2

STCK246

APPLICATION	DESCRIPTION	PART NUMBER	QUANTITY
Input/Front Output Shaft (Frt).....	Ball Bearing.....	6010-J.....	2
Rear Output Shaft (Center).....	Ball Bearing.....	6011-J.....	1
Oil Pump.....	Seal.....	22306.....	1
	<i>Speedi-Sleeve</i>	■ 99225.....	
Front Output Shaft (Rr).....	Needle Bearing Assembly.....	B5020.....	1
Input Shaft.....	Seal.....	□ NV22441.....	1
Rear Output Shaft.....	Seal.....	□ NV22507.....	1
Front Output Shaft.....	Seal.....	□ NV30138.....	1
Oil Pump.....	O-Ring.....	□ OR-109.....	1
Shift Shaft.....	O-Ring.....	□ OR-116.....	1
Rear Output Shaft (Rr).....	Ball Bearing.....	□ ZB1055.....	1
Plantetary Thrust.....	Washer.....	□ ZM1001.....	2
Input Shaft Pilot.....	Needle Bearing.....	□ ZN1065.....	1
Clutch Housing.....	Needle Bearing.....	□ ZN1146.....	1
Shift Shaft.....	Needle Bearing.....	□ ZN1147.....	1
Misc.....	Fork Pads.....	□ ZM1000.....	1
Misc.....	Fork Pads.....	□ 4167969.....	2
Misc.....	LD Transmission Gasket.....	□ GT-243.....	1
Misc.....	O-Ring.....	□ OR-015.....	1

■ Use Speedi-Sleeves to repair grooved shafts (Not Included)

□ Not Sold Separately

TRANSFER CASE KIT CONTENTS—Light Duty

STCK247

APPLICATION	DESCRIPTION	PART NUMBER	QUANTITY
Input Shaft	Ball Bearing.....	6010-NRJ.....	1
Front Output Shaft.....	Seal.....	18758.....	1
Input Shaft	Seal.....	19255.....	1
	<i>Speedi-Sleeve</i>	■ 99193	
Rear Output Shaft (Rr)	Ball Bearing.....	6206-NRJ.....	1
Front Output Shaft (Frt)	Max Ball Bearing.....	6207-J.....	1
Oil Pump.....	Seal.....	22306.....	1
	<i>Speedi-Sleeve</i>	■ 99225	
Front Output Shaft (Rr).....	Needle Bearing	B2416	1
Rear Output Shaft.....	Seal.....	15023.....	1
Pick-Up Tube.....	O-Ring.....	□ OR-013.....	1
Shift Detent.....	O-Ring.....	□ OR-014.....	1
Oil Pump.....	O-Ring.....	□ OR-109.....	1
Shift Shaft.....	O-Ring.....	□ OR-116.....	1
Drive Sprocket.....	Needle Bearing	□ Q8308.....	1
Planetary Thrust.....	Washer.....	□ ZM1001.....	2
Input Shaft Pilot.....	Needle Bearing	□ ZN1065.....	1
Misc.....	LD Transmission Gasket.....	□ GT-243.....	1

STCK261

APPLICATION	DESCRIPTION	PART NUMBER	QUANTITY
Input/Front Output Shaft (Frt)	Ball Bearing.....	6010-J.....	2
Rear Output Shaft (Rr)	Ball Bearing.....	6208-NRJ.....	1
Shift Shaft.....	Seal.....	7410.....	1
	<i>Speedi-Sleeve</i>	■ 99076	
Shift Detent.....	Needle Bearing	□ B126.....	1
Front Output Shaft (Rr).....	Needle Bearing Assembly.....	B5020.....	1
Yoke.....	Washer.....	□ GTK-205STAR.....	1
Input Shaft	Seal.....	□ NV22441.....	1
Rear Output Shaft.....	Seal.....	□ NV22507.....	1
Front Output Shaft.....	Seal.....	□ NV30138.....	1
Pick-Up Tube.....	O-Ring.....	□ OR-012.....	1
Shift Detent.....	O-Ring.....	□ OR-015.....	2
Oil Pump.....	O-Ring.....	□ OR-109.....	1
Shift Shaft & VSS	O-Ring.....	□ OR-116.....	2
Oil Pump.....	O-Ring.....	□ OR-220.....	1
Planetary Thrust.....	Washer.....	□ ZM1001.....	2
Input Shaft Pilot.....	Needle Bearing	□ ZN1174.....	1
Misc.....	LD Transmission Gasket.....	□ GT-243.....	1

■ Use Speedi-Sleeves to repair grooved shafts (Not Included)

□ Not Sold Separately

TRANSFER CASE KIT CONTENTS—Light Duty

STCK261-AA

APPLICATION	DESCRIPTION	PART NUMBER	QUANTITY
Front Outer Shaft (Frt)	Ball Bearing	6010-J	2
Rear Output Shaft	Seal	22029	1
Shift Shaft	Seal	7410	1
	<i>Speedi-Sleeve</i>	■ 99076	
Shift Detent	Needle Bearing	□ B126	1
Front Output Shaft (Rr)	Needle Bearing Assembly	B5020	1
Yoke	Washer	□ GTK-205STAR	1
Input Shaft	Seal	□ NV22441	1
Front Output Shaft	Seal	□ NV30138	1
Pick-Up Tube	O-Ring	□ OR-012	1
Shift Detent	O-Ring	□ OR-015	2
Oil Pump	O-Ring	□ OR-109	1
Shift Shaft & VSS	O-Ring	□ OR-116	2
Oil Pump	O-Ring	□ OR-220	1
Rear Output Shaft (Rr)	Ball Bearing	□ ZB1151	1
Planetary Thrust	Washer	□ ZM1001	2
Input Shaft Pilot	Needle Bearing	□ ZN1174	1
Misc	LD Transmission Gasket	□ GT-243	1

STCK261-BB

APPLICATION	DESCRIPTION	PART NUMBER	QUANTITY
Front Output Shaft (Frt)	Ball Bearing	6010-J	1
Rear Output Shaft	Seal	22029	1
Shift Shaft	Seal	7410	1
	<i>Speedi-Sleeve</i>	■ 99076	
Shift Detent	Needle Bearing	□ B126	1
Front Output Shaft (Rr)	Needle Bearing Assembly	B5020	1
Input Shaft	Ball Bearing	□ 5210-ANRX	1
Yoke	Washer	□ GTK-205STAR	1
Input Shaft	Seal	□ NV22441	1
Front Output Shaft	Seal	□ NV30138	1
Pick-Up Tube	O-Ring	□ OR-012	1
Shift Detent	O-Ring	□ OR-015	2
Oil Pump	O-Ring	□ OR-109	1
Shift Shaft & VSS	O-Ring	□ OR-116	2
Oil Pump	O-Ring	□ OR-220	1
Rear Output Shaft (Rr)	Ball Bearing	□ ZB1151	1
Planetary Thrust	Washer	□ ZM1001	2
Input Shaft Pilot	Needle Bearing	□ ZN1174	1
Misc	LD Transmission Gasket	□ GT-243	1

■ Use Speedi-Sleeves to repair grooved shafts (Not Included)

□ Not Sold Separately

TRANSFER CASE KIT CONTENTS—Light Duty

STCK271

APPLICATION	DESCRIPTION	PART NUMBER	QUANTITY
Front Output Shaft (Frt)	Ball Bearing	6011-J	1
Input Shaft	Ball Bearing	6211-J	1
Rear Output Shaft (Rr)	Ball Bearing	6212-ZNBRJ	1
Oil Pump	Seal	22306	1
	<i>Speedi-Sleeve</i>	■ 99225	
Front Output Shaft (Rr)	Needle Bearing	B2416	1
Extension Housing	Needle Bearing	□ B3416	1
Input Shaft Pilot	Needle Bearing	□ NV24260	1
Front Output Shaft	Seal	21241	2
Input Shaft	Seal	21239	1
Oil Pump	O-Ring	□ OR-109	1
Shift Shaft	O-Ring	□ OR-116	1
Planetary Thrust	Washer	□ ZM1001	2
Misc	Fork Pads	□ ZM1000	1
Misc	Fork Pads	□ 4167969	4
Misc	Fork Pads	□ 4219073	1
Misc	LD Transmission Gasket	□ GTC-NP1	1

STCK271-AA

APPLICATION	DESCRIPTION	PART NUMBER	QUANTITY
Front Output Shaft (Frt)	Ball Bearing	6011-J	1
Input Shaft	Ball Bearing	6211-J	1
Rear Output Shaft (Rr)	Ball Bearing	6212-ZNBRJ	1
Oil Pump	Seal	22306	1
	<i>Speedi-Sleeve</i>	■ 99225	
Front Output Shaft (Rr)	Needle Bearing	B2416	1
Extension Housing	Needle Bearing	□ B3416	1
Input Shaft Pilot	Needle Bearing	□ NV24260	1
Front Output Shaft	Seal	21241	1
Input Shaft	Seal	21239	1
Rear Output Shaft	Seal	23300	1
	<i>Speedi-Sleeve</i>	■ 99233	
Oil Pump	O-Ring	□ OR-109	1
Shift Shaft	O-Ring	□ OR-116	1
Planetary Thrust	Washer	□ ZM1001	2
Misc	Fork Pads	□ 4167969	4
Misc	Fork Pads	□ 4219073	1
Misc	Fork Insert	□ ZM1048	2
Misc	LD Transmission Gasket	□ GTC-NP1	1

■ Use Speedi-Sleeves to repair grooved shafts (Not Included)

□ Not Sold Separately

TRANSFER CASE KIT CONTENTS—Light Duty

STCK300

APPLICATION	DESCRIPTION	PART NUMBER	QUANTITY
Rear Output Shaft (Rr)	Tapered Roller Bearing (Cup)	BR15245	1
Rear Output Shaft (Rr)	Tapered Roller Bearing (Cone)	BR15117	1
Input Shaft	Ball Bearing	6209-NRJ	1
Rear Output Shaft (Frnt)	Tapered Roller Bearing (Cup)	BR25821	1
Rear Output Shaft (Frnt)	Tapered Roller Bearing (Cone)	BR25877	1
Rear Output Shaft Pilot	Needle Bearing Assembly	JH1612	1
Front Output Shaft (Frnt/Rr)	Tapered Roller Bearing (Cup)	M86610	2
Front Output Shaft (Frnt/Rr)	Tapered Roller Bearing (Cone)	M86649	2
Intermediate Shaft	Needle Bearing	<input type="checkbox"/> Q13367	1
Misc	LD Transfer Case Seal & Gasket Kit	<input type="checkbox"/> DTK-300	1

STCK1345

APPLICATION	DESCRIPTION	PART NUMBER	QUANTITY
Front Output (Frnt)/Rear Output (Rr)	Ball Bearing	6207-J	2
Front Output Shaft	Seal	18662	1
	<i>Speedi-Sleeve</i>	<input checked="" type="checkbox"/> 99187	
Input Shaft	Seal	17502	1
	<i>Speedi-Sleeve</i>	<input checked="" type="checkbox"/> 99174	
Rear Output Shaft	Seal	18994	1
Pilot	Bushing	<input type="checkbox"/> AA1512-12	1
Front Output Shaft (Rear)	Needle Bearing	B2012	1
Rear Output Shaft (Front)	Needle Bearing Assembly	B2812	1
Yoke	Washer	<input type="checkbox"/> ZM1023	2
Misc	LD Transmission Gasket	<input type="checkbox"/> GTC-NP1	1
Misc	O-Ring	<input type="checkbox"/> OR-111	1
Misc	Fork Pads	<input type="checkbox"/> 1345-235-001	4

STCK1354

APPLICATION	DESCRIPTION	PART NUMBER	QUANTITY
Input Shaft	Ball Bearing	6009-NRJ	1
Front Output (Frnt)/Rear Output	Ball Bearing	6206-NRJ	2
Shift Rail	Seal	3687	1
Input/Front Output/Rear Output	Seal	16043	3
	<i>Speedi-Sleeve</i>	<input checked="" type="checkbox"/> 99163	
Input Shaft Pilot	Bushing	<input type="checkbox"/> AA1512-12	1
Rear Output Shaft (Rear)	Needle Bearing Assembly	JH1612	1
Input Shaft Pilot	Needle Bearing	<input type="checkbox"/> M18161	1
Magnetic Sensor	O-Ring	<input type="checkbox"/> OR-014	1
Shift Shaft	O-Ring	<input type="checkbox"/> OR-111	1
Yoke	Washer	<input type="checkbox"/> ZM1043	2
Mode & Range	Fork Pads	<input type="checkbox"/> 1356-235-001	4
Misc	Gasket Set	<input type="checkbox"/> GT-1350	1

Use Speedi-Sleeves to repair grooved shafts (Not Included)

Not Sold Separately

TRANSFER CASE KIT CONTENTS—Light Duty

STCK1356

APPLICATION	DESCRIPTION	PART NUMBER	QUANTITY
Input Shaft	Ball Bearing	6010-J	1
Front Output/Rear Output	Ball Bearing	6207-J	2
Shift Shaft (Electric Shift)	Seal	3687	1
Input/Frt Output/Rr Output (Fixed Yoke)	Seal	18994	3
Shift Shaft (Manual Shift)	Seal	6130	1
	<i>Speedi-Sleeve</i>	■ 99062	
Input Shaft Pilot	Bushing	□ AA1512-12	1
Front Output Shaft (Rear)	Needle Bearing	B2012	1
Mainshaft Pilot	Needle Bearing	□ BK3026	1
PTO	Gasket	□ GT-PTO55	1
Magnetic Sensor	O-Ring	□ OR-014	1
Rear Output Shaft (Slip Yoke)	Seal	18507	1
Yoke	Washer	□ ZM1023	2
Mode	Fork Pads	□ 1345-235-001	2
Range	Fork Pads	□ 1356-235-001	2
Misc.	LD Transmission Gasket	□ GTC-NP1	1

STCK4405

APPLICATION	DESCRIPTION	PART NUMBER	QUANTITY
Front Output Shaft (Rr)	Ball Bearing	6206-NRJ	1
Input Shaft	Ball Bearing	6209-NRJ	1
Front Output (Frt)/Rr Output (Rr)	Ball Bearing	6306-NRJ	2
Shift Rail	Seal	3687	1
Input/Front Output/Rear Output	Seal	16043	3
	<i>Speedi-Sleeve</i>	■ 99163	
Mainshaft Pilot	Bushing	□ AA1512-12	1
Mainshaft Pilot	Needle Bearing	□ M18161	1
Yoke	Washer	□ ZM1043	2
Misc.	Fork Pads	□ 1356-235-001	2
Misc.	Gasket Set	□ GT-1350	1

STCK4405-AA

APPLICATION	DESCRIPTION	PART NUMBER	QUANTITY
Front Output Shaft (Frt)	Ball Bearing	6206-NRJ	1
Front Output Shaft (Rr)	Max Ball Bearing	6207-J	1
Input Shaft	Ball Bearing	6209-NRJ	1
Rear Output Shaft (Rr)	Ball Bearing	6306-NRJ	1
Shift Rail	Seal	3687	1
Input/Frt Output/Rr Output	Seal	16043	3
	<i>Speedi-Sleeve</i>	■ 99163	
Mainshaft Pilot	Bushing	□ AA1512-12	1
Mainshaft Pilot	Needle Bearing	□ M18161	1
Yoke	Washer	□ ZM1043	2
Misc.	Fork Pads	□ 1356-235-001	2
Misc.	Gasket Set	□ GT-1350	1

■ Use Speedi-Sleeves to repair grooved shafts (Not Included)

□ Not Sold Separately

TRANSFER CASE KIT CONTENTS—Light Duty

STCK4406

APPLICATION	DESCRIPTION	PART NUMBER	QUANTITY
Driveshaft Front	Max Ball bearing	211-ZNRJ	1
Input Shaft	Seal	18676	1
	<i>Speedi-Sleeve</i>	■ 99163	
Front Output Shaft (Fr/Rr)	Max Ball Bearing	6207-J	2
Rear Output Shaft (Rr)	Ball Bearing	6208-J	1
Shift Rail	Seal	3687	1
Shift Rail	Seal	6408	1
	<i>Speedi-Sleeve</i>	■ 99058	
Front Output Shaft	Seal	18994	1
Mainshaft Pilot	Needle Bearing	□ BK3026	1
Planetary Thrust	Needle Bearing	□ NTA2233	1
Planetary Thrust	Needle Bearing	□ ZN1177	1
Rear Output Shaft	Seal	18507	1
Misc	Fork Pads	□ 1356-235-001	2
Misc	LD Transmission Gasket	□ GTC-NP1	1
Misc	Bushing	□ AA1512-12	1

STCK4407

APPLICATION	DESCRIPTION	PART NUMBER	QUANTITY
Front Output Shaft (Rr)	Max Ball Bearing	6207-J	1
Front Output Shaft (Fr)	Ball Bearing	6208-J	1
Rear Output Shaft (Fr)	Ball Bearing	6210-J	1
Input Shaft	Ball Bearing	6211-J	1
Mainshaft Rear	Ball Bearing	6308-NRJ	1
Shift Rail	Seal	6408	1
	<i>Speedi-Sleeve</i>	■ 99058	
Input/Frt Output/Rr Output Shaft	Seal	18994	3
Input Shaft Pilot	Bushing	□ AA1512-12	1
Rear Output Thrust	Needle Bearing	□ NTA2233	1
Yoke	Washer	□ ZM1023	2
Misc	Fork Pads	□ 1356-235-001	2
Misc	LD Transmission Gasket	□ GTC-NP1	1

STCK4470

APPLICATION	DESCRIPTION	PART NUMBER	QUANTITY
Input Shaft	Ball Bearing	6010-J	1
Front Output Shaft (Fr)	Max Ball Bearing	6207-J	1
Rear Output	Ball Bearing	6208-J	1
Input/Fr Output/Rr Output Shaft	Seal	18994	3
Shift Rail	Seal	6130	1
	<i>Speedi-Sleeve</i>	■ 99062	
Input Shaft Pilot	Bushing	□ AA1512-12	1
Intermediate Pump	Needle Bearing	□ B3012	1
Input Shaft Pilot	Needle Bearing	□ B3026	1
PTO	Gasket PTO	□ GT-PTO55	1
Front Output Shaft (Rr)	Cylindrical Bearing	□ RNU204	1
Yoke	Washer	□ ZM1023	2
Misc	Fork Pads	□ 1356-235-001	4
Misc	LD Transmission Gasket	□ GTC-NP1	1

Use Speedi-Sleeves to repair grooved shafts (Not Included)
 Not Sold Separately

TRANSMISSION KIT CONTENTS—Light Duty

STK50

APPLICATION	DESCRIPTION	PART NUMBER	QUANTITY
Input Shaft	Seal.....	11592.....	1
	<i>Speedi-Sleeve</i>	■ 99114	
Mainshaft Rear	Ball Bearing.....	6206-2RSJ.....	1
Output Shaft (4 W/D).....	Seal.....	13907.....	1
	<i>Speedi-Sleeve</i>	■ 99139	
Output Shaft (2 W/D).....	Seal.....	13685.....	1
	<i>Speedi-Sleeve</i>	■ 99138	
Front Center Cluster.....	Tapered Roller Bearing (Cone/Cup).....	BR30205.....	2
Misc	LD Transmission Gasket.....	□ GT-50.....	1
Mainshaft (Front).....	Ball Bearing.....	□ ZB1052.....	1
Countershaft (Rear).....	Ball Bearing.....	□ ZB1062.....	1
Input Shaft	Ball Bearing.....	□ ZB1085.....	1
Mainshaft Pilot.....	Needle Bearing	□ ZN1043.....	1

STK82-F

APPLICATION	DESCRIPTION	PART NUMBER	QUANTITY
Output Shaft	Ball Bearing.....	308-NRJ.....	1
Output Shaft	Seal (Diesel).....	21210.....	1
	<i>Speedi-Sleeve</i>	■ 99212	
Output Shaft	Seal (Gas & 3.256" O.D.).....	24910.....	1
	<i>Speedi-Sleeve</i>	■ 99250	
Output Shaft	Seal (Gas & 2.879" O.D.).....	15773.....	1
	<i>Speedi-Sleeve</i>	■ 99156	
Output Shaft	Seal (Gas & 2.378" O.D.).....	15005.....	1
	<i>Speedi-Sleeve</i>	■ 99149	
Input Shaft	Ball Bearing.....	□ DTP308-L1	1
Input Shaft	Loose Needle Bearings.....	C436-Q	22
Input Shaft	Seal.....	12363.....	1
	<i>Speedi-Sleeve</i>	■ 99125	
Reverse Idler.....	Loose Needle Bearings.....	B1316-Q	74
Countershaft Front.....	Loose Needle Bearings.....	C436-Q	44
Countershaft Rear	Loose Needle Bearings.....	C436-Q	44
Misc	Transmission Gasket Set.....	□ GT-82D	1

■ Use Speedi-Sleeves to repair grooved shafts (Not Included)

□ Not Sold Separately

TRANSMISSION KIT CONTENTS—Light Duty

STK127

APPLICATION	DESCRIPTION	PART NUMBER	QUANTITY
Output Shaft	Max Ball Bearing	308-NRJ	1
Output Shaft (w/Ford)	Seal	24898	1
	<i>Speedi-Sleeve</i>	■ 99250	
Output Shaft	Seal	● 21302	1
	<i>Speedi-Sleeve</i>	■ 99212	
Input Shaft	Tapered Roller Bearing (Cone/Cup)	HM88649/HM88610	1
Input Shaft	Seal (1.5" Shaft)	15005	1
	<i>Speedi-Sleeve</i>	■ 99149	
Input Shaft	Seal (1.25" Shaft)	● 12340	1
Input Shaft (Exc. Ford)	Seal	21100	1
	<i>Speedi-Sleeve</i>	■ 99212	
Input Shaft	Seal (1.375" Shaft)	13557	1
	<i>Speedi-Sleeve</i>	■ 99138	
Input Shaft Pilot	Loose Needle Bearings	□ Q15902-F	14
Syncro Hub Thrust (3rd & 4th Gears)	Needle Bearing Assembly	FA35688	1
Countershaft Rear	Needle Bearing Assembly	B3216	1
Countershaft Front	Needle Bearing Assembly	M24161-X1	1
Countershaft Rear Thrust	Needle Bearing Assembly	NTA2031	1
Reverse Idler	Loose Needle Bearings	● C407-Q	104
Remote Control	Seal	● 7439	1
Misc.	Transmission Gasket Set	□ GT-127	1

STK127-G

APPLICATION	DESCRIPTION	PART NUMBER	QUANTITY
Output Shaft	Seal	24898	1
	<i>Speedi-Sleeve</i>	■ 99250	
Input/Output Shaft	Ball Bearing	308-NRJ	2
Input Shaft	Seal (1.5" Shaft)	15005	1
	<i>Speedi-Sleeve</i>	■ 99149	
Input Shaft	Seal	21100	1
	<i>Speedi-Sleeve</i>	■ 99212	
Input Shaft Pilot	Loose Needle Bearings	□ Q15902-F	14
Syncro Hub Thrust (3rd & 4th Gears)	Needle Thrust Bearing	FA35688	1
Countershaft Rear	Needle Bearing Assembly	B3216	1
Countershaft Front	Needle Bearing Assembly	M24161-X1	1
Countershaft Rear Thrust	Needle Thrust Bearing	NTA2031	1
Misc.	Transmission Gasket Set	□ GT127	1

■ Use Speedi-Sleeves to repair grooved shafts (Not Included)

□ Not Sold Separately

TRANSMISSION KIT CONTENTS—Light Duty

STK157

APPLICATION	DESCRIPTION	PART NUMBER	QUANTITY
Output Shaft	Seal.....	19970.....	1
	<i>Speedi-Sleeve</i>	■ 99199	
Input Shaft	Seal.....	16054.....	1
	<i>Speedi-Sleeve</i>	■ 99162	
Input Shaft	Max Ball Bearing.....	N211-NRJ.....	1
Input Shaft Pilot	Loose Needle Bearings.....	□ QAR34604.....	17
Countershaft Front (1978 & Earlier).....	Cylindrical Roller Bearing.....	M1305GGTV1.....	1
Countershaft Front (1979 & Later).....	Cylindrical Roller Bearing.....	R1563-TAV.....	1
Countershaft Rear	Max Ball Bearing.....	308-NRJ.....	2
Misc.	Transmission Gasket Set.....	□ GT-157.....	1

STK235-B

APPLICATION	DESCRIPTION	PART NUMBER	QUANTITY
Output Shaft (2 W/D) C-Series	Seal.....	18546.....	1
	<i>Speedi-Sleeve</i>	■ 99187	
Input Shaft	Seal.....	13888.....	1
	<i>Speedi-Sleeve</i>	■ 99139	
Output Shaft (2 W/D) S-Series	Seal.....	14712.....	1
	<i>Speedi-Sleeve</i>	■ 99147	
Output Shaft (4 W/D).....	Seal.....	14087.....	1
	<i>Speedi-Sleeve</i>	■ 99146	
Misc	Small Parts Kit	□ SPK-235	1
Input Shaft	Ball Bearing.....	□ ZB1055.....	2
Mainshaft Pilot.....	Needle Bearing	□ ZN1036.....	1
Countershaft (Front).....	Needle Bearing	□ ZN1037.....	2

STK247

APPLICATION	DESCRIPTION	PART NUMBER	QUANTITY
Output Shaft (2 W/D).....	Seal.....	14900.....	1
Output Shaft (4 W/D).....	Seal.....	11592.....	1
	<i>Speedi-Sleeve</i>	■ 99114	
Input Shaft	Seal.....	10640.....	1
	<i>Speedi-Sleeve</i>	■ 99106	
Mainshaft (Front).....	Tapered Roller Bearing	BR30207.....	1
Countershaft (Rear).....	Ball Bearing.....	6304-NRJ.....	1
Input Shaft Oil Ring	Seal.....	□ BZ3541E.....	1
Top Cover	Gasket.....	□ GT-247R.....	1
Top Cover	Pins.....	□ M50-P1.....	2
Mainshaft (Rear).....	Ball Bearing.....	6207-VSP33.....	1
Countershaft (Front).....	Cylindrical Roller Bearing.....	NJ2205-ECP.....	1
Countershaft (Center).....	Cylindrical Roller Bearing.....	□ ZC1033.....	1
Mainshaft Thrust.....	Needle Bearing	□ ZN1028.....	1
Mainshaft Pilot.....	Needle Bearing	□ ZN1044.....	1
Input Shaft	Tapered Roller Bearing	□ ZT1047.....	1
Misc	Gasket.....	□ GT-247.....	1
Misc	Shift Socket.....	□ ZM1008.....	2
Misc	Expansion Plug.....	□ ZM1013.....	3
Misc	Oil Baffle	□ ZM1014.....	1

■ Use Speedi-Sleeves to repair grooved shafts (Not Included) □ Not Sold Separately

TRANSMISSION KIT CONTENTS—Light Duty

STK248

APPLICATION	DESCRIPTION	PART NUMBER	QUANTITY
Output Shaft (2 W/D)	Seal	14900	1
Input Shaft	Seal	11612	1
	<i>Speedi-Sleeve</i>	■ 99114	
Output Shaft (4 W/D)	Seal	14012	1
	<i>Speedi-Sleeve</i>	■ 99146	
Countershaft (Rear)	Ball Bearing	6304-NRJ	1
Input Shaft Oil Ring	Seal	□ BZ3421E	1
Top Cover	Gasket	□ GT-248R	1
Top Cover	Pins	□ M50-P1	2
Mainshaft (Rear)	Ball Bearing	6208-VSP37	1
Countershaft (Front)	Cylindrical Roller Bearing	□ ZC1010	1
Countershaft (Center)	Cylindrical Roller Bearing	MR1207-EL	1
Input Shaft	Oil Baffle	□ ZM1015	1
Mainshaft Pilot	Needle Bearing	□ ZN1034	1
Mainshaft Thrust	Needle Bearing	□ ZN1035	1
Input Shaft	Tapered Roller Bearing	□ ZT1087	1
Mainshaft (Center)	Tapered Roller Bearing	□ ZT1088	1
Misc	Gasket	□ GT-248	1
Misc	Shift Socket	□ ZM1008	2
Misc	Expansion Plug	□ ZM1013	4

STK300-ZF

APPLICATION	DESCRIPTION	PART NUMBER	QUANTITY
Input Shaft (S5-47M only)	Seal	14703	1
	<i>Speedi-Sleeve</i>	■ 99147	
Output Shaft (4 W/D)	Seal	15803	1
	<i>Speedi-Sleeve</i>	■ 99157	
Output Shaft (2 W/D)	Seal	19600	1
	<i>Speedi-Sleeve</i>	■ 99196	
Countershaft Front/Rear	Tapered Roller Bearing (Cup)	BR2520	2
Countershaft Front/Rear	Tapered Roller Bearing (Cone)	BR2580	2
Input Shaft & Output Shaft	Tapered Roller Bearing (Cup)	BR28521	2
Input Shaft	Tapered Roller Bearing (Cone)	BR28580	1
Input Shaft	Seal	13943	1
	<i>Speedi-Sleeve</i>	■ 99139	
Oil Baffle	Seal	□ E7TZ7040A	1
Oil Ring	Seal	□ F4TZ7046A	1
Output Shaft	Tapered Roller Bearing (Cone)	J28573	1
Mainshaft Pilot	Tapered Roller Bearing	JH13349	1
Front Bearing Retainer	O-Ring	□ ZM1004	1
Mainshaft Reverse & 1st Gear	Needle Bearing	F206756	2
Mainshaft 3rd Gear (Inner Race)	Needle Bearing	□ ZN1056	1
Mainshaft 2nd & 3rd Gear	Needle Bearing	F206755	2
Mainshaft 5th Gear	Needle Bearing	F209031	1
Reverse Idler	Needle Bearing	F597071	2
Shift Rail	Needle Bearing	FC66880	2
Misc	LD Transmission Gasket	□ GT-300ZF	1
Misc	Sealing Cap (Small)	□ ZM1035	4
Misc	Sealing Cap (Large)	□ ZM1036	3

■ Use Speedi-Sleeves to repair grooved shafts (Not Included)

□ Not Sold Separately

TRANSMISSION KIT CONTENTS—Light Duty

STK4500-D

APPLICATION	DESCRIPTION	PART NUMBER	QUANTITY
Output Shaft (2 W/D-V10)	Seal	22029	1
Output Shaft (4 W/D)	Seal	19211	1
	<i>Speedi-Sleeve</i>	■ 99193	
Input Shaft	Seal	13557	1
	<i>Speedi-Sleeve</i>	■ 99138	
Output Shaft (2 W/D)	Seal	16567	1
Extension Housing	Needle Bearing	B5020	1
PTO Cover	Gasket	□ GT-PTO55	2
Transfer Case Adapter	LD Transmission Gasket	□ GTC-NP1	1
Mainshaft (Rear)	Tapered Roller Bearing (Cup)	M804010	1
Mainshaft (Rear)	Tapered Roller Bearing (Cone)	M804049	1
Countershaft	Plug	□ ZM1005	1
Mainshaft Pilot	Needle Bearing	□ ZN1003	1
Mainshaft Thrust	Needle Bearing	□ ZN1013	1
Countershaft (Front)	Tapered Roller Bearing	□ ZT1005	1
Countershaft (Front)	Tapered Roller Bearing	□ ZT1006	1
Countershaft (Rear)	Tapered Roller Bearing	□ ZT1007	1
Countershaft (Rear)	Tapered Roller Bearing	□ ZT1008	1
Input Shaft	Tapered Roller Bearing	□ ZT1009	1
Input Shaft	Tapered Roller Bearing	□ ZT1010	1
Misc	Fork Pads	□ 4167969	2
Misc	Fork Pads	□ 4219073	1
Misc	Fork Pad	□ ZM1049	2

STK4500-GM

APPLICATION	DESCRIPTION	PART NUMBER	QUANTITY
Output Shaft (P-Series w/Prkg. Brk)	Seal	17818	1
	<i>Speedi-Sleeve</i>	■ 99177	
Output Shaft (P-Series w/o Prkg. Brk)	Seal	18972	1
	<i>Speedi-Sleeve</i>	■ 99189	
Output Shaft (w/o Prkg. Brk)	Seal	19970	1
	<i>Speedi-Sleeve</i>	■ 99199	
Input Shaft	Seal	13557	1
	<i>Speedi-Sleeve</i>	■ 99138	
Output Shaft (w/Pkg Brk)	Seal	24982	1
	<i>Speedi-Sleeve</i>	■ 99250	
Extension Housing	Needle Bearing	B5020	1
PTO Cover	Gasket	□ GT-PTO55	2
Transfer Case Adapter	LD Transmission Gasket	□ GTC-NP1	1
Mainshaft (Rear)	Tapered Roller Bearing (Cup)	M804010	1
Mainshaft (Rear)	Tapered Roller Bearing (Cone)	M804049	1
Countershaft	Plug	□ ZM1005	1
Mainshaft Pilot	Needle Bearing	□ ZN1003	1
Mainshaft Thrust	Needle Bearing	□ ZN1013	1
Countershaft (Front)	Tapered Roller Bearing	□ ZT1005	1
Countershaft (Front)	Tapered Roller Bearing	□ ZT1006	1
Countershaft (Rear)	Tapered Roller Bearing	□ ZT1007	1
Countershaft (Rear)	Tapered Roller Bearing	□ ZT1008	1
Input Shaft	Tapered Roller Bearing	□ ZT1009	1
Input Shaft	Tapered Roller Bearing	□ ZT1010	1
Misc	Fork Pads	□ 4167969	2
Misc	Fork Pads	□ 4219073	1

■ Use Speedi-Sleeves to repair grooved shafts (Not Included)

□ Not Sold Separately

TRANSMISSION KIT CONTENTS—Light Duty

STKS6-650ZF

APPLICATION	DESCRIPTION	PART NUMBER	QUANTITY
Mainshaft (Rear).....	Ball Bearing.....	6309-NRJ.....	1
Countershaft (Front).....	Tapered Roller Bearing.....	<input type="checkbox"/> DTP2074.....	1
Oil Ring.....	Seal.....	<input type="checkbox"/> F4TZ7046A.....	1
Countershaft (Rear).....	Needle Bearing.....	FC69178.....	1
PTO.....	Gasket.....	<input type="checkbox"/> GT-PTO55.....	1
Mainshaft Pilot.....	Tapered Roller Bearing.....	JH13349.....	1
Input Shaft.....	Tapered Roller Bearing.....	<input type="checkbox"/> NP007430.....	1
Countershaft (Center).....	Tapered Roller Bearing.....	<input type="checkbox"/> NP043905.....	1
Input Shaft.....	Tapered Roller Bearing.....	<input type="checkbox"/> NP423135.....	1
Countershaft (Center).....	Tapered Roller Bearing.....	<input type="checkbox"/> NP547779.....	1
Mainshaft (Center).....	Tapered Roller Bearing.....	<input type="checkbox"/> NP771105.....	1
Mainshaft (Center).....	Tapered Roller Bearing.....	<input type="checkbox"/> NP957859.....	1
Input Shaft.....	Seal.....	<input type="checkbox"/> UH5019-E0.....	1
Output Shaft (2 W/D).....	Seal.....	<input type="checkbox"/> UH5020-G0.....	1
Output Shaft (4 W/D).....	Seal.....	<input type="checkbox"/> UH5021-E0.....	1
Misc.....	Sealing Cap (Large).....	<input type="checkbox"/> ZM1036.....	4
Misc.....	Oil baffle.....	<input type="checkbox"/> F81Z7046AA.....	1

■ Use Speedi-Sleeves to repair grooved shafts (Not Included)

Not Sold Separately

SPEEDI-SLEEVE installation instructions

From scored to restored in a few minutes

Although installation is simple, it should be done carefully to achieve the best results.

Before starting, the sealing zone on the shaft should be carefully cleaned and any burrs or rough spots should be filed down and polished. Deep wear grooves, scratches or very rough surfaces should be treated with a light layer of non-hardening sealant. The sleeve must be positioned on the shaft before the filler has hardened.

It should also be noted that although SPEEDI-SLEEVES can be easily installed within minutes on most shafts, **they should not be placed over splines or keyways etc. on the shaft.** As the thin-walled sleeve has an interference fit, any disturbances on the shaft surface may create a similar pattern on the sleeve surface and the seal will leak.

Choosing the right size

To determine the appropriate sleeve size it is first necessary to clean the shaft carefully. The diameter of an undamaged section of the seal counterface should then be measured in at least three different planes. The arithmetical mean of these measurements is used to choose a SPEEDI-SLEEVE. If the value lies within the permissible range shown in the product table for the shaft diameter then the SPEEDI-SLEEVE will have an adequately tight fit on the shaft. The sleeve cannot turn on the shaft and no adhesive is required.

If no suitable sleeve is listed in the product table, then it will be necessary to rework the shaft to an appropriate dimension. This will also mean that a new size of seal will be required.

SKF SPEEDI-SLEEVE installation

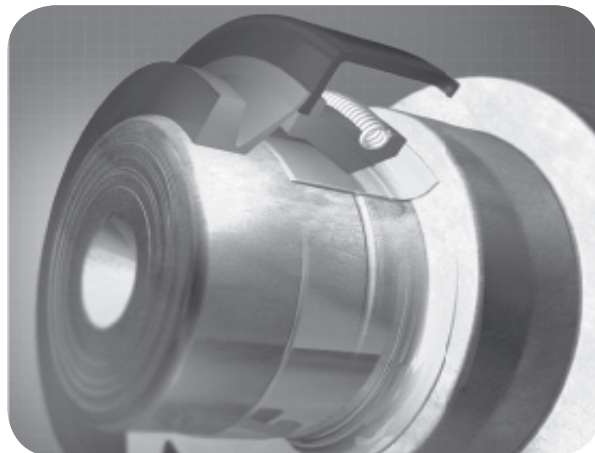
Note: If you can catch your fingernail in a seal wear track or shaft groove, a repair sleeve should be installed to prevent leakage.

1. Clean the shaft where the seal contacts the shaft. File down and polish any burrs or rough spots.
2. Measure the diameter where the sleeve will be positioned on an unworn portion of the shaft. Measure in three positions and average the readings (to insure the shaft is within recommended specifications). If the average

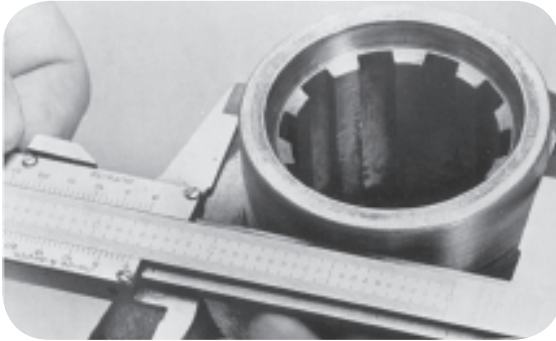
diameter is within the range for a given sleeve size, there is sufficient press-fit built into the sleeve to prevent it from sliding or spinning without the need for cement adhesive.

3. Determine how far back the sleeve must be positioned to cover the old seal wear track. Measure to the exact point, or mark directly on the surface. The sleeve must be placed over the worn area, not just bottomed or left flush with the end of the shaft.
4. Shallow wear grooves do not require filling. Optionally, a light layer of non-hardening sealant can be applied to the inner surface of the sleeve. Clear away sealant that migrates to the outer sleeve surface.
5. If the shaft is deeply scored, (see note above) fill the groove with a light layer of non-hardening sealant. Install the sleeve, allowing the sleeve to "wipe" off any excess filler. Clean away any residue and check that no filler is deposited on the sleeve O.D. surface.

(continued next page)



SPEEDI-SLEEVE installation instructions



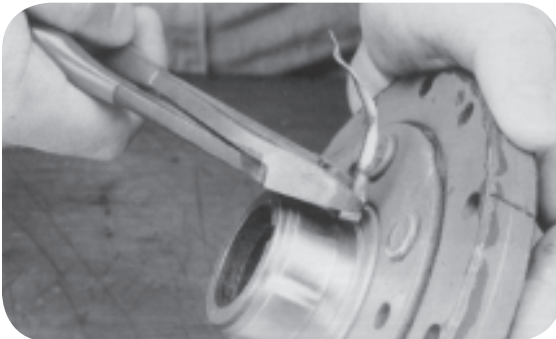
2. Measure shaft diameter in three places.



6. Place installation tool over SPEEDI-SLEEVE.



7. Tap tool to install Sleeve over shaft.



8. Pry flange off installed SPEEDI-SLEEVE.

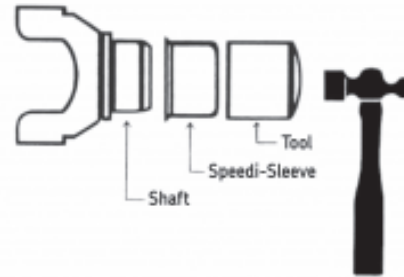
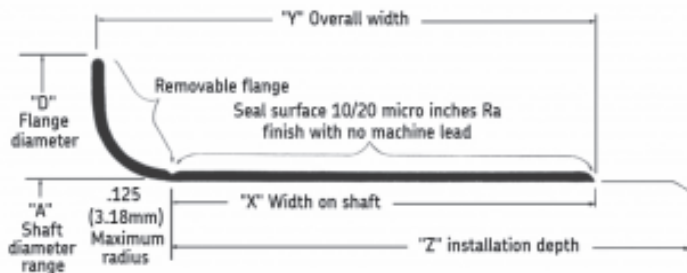
6. Place installation tool over the sleeve. The flange end of the sleeve goes on the shaft first.
7. Gently tap the center of the tool until the sleeve covers the seal worn surface. If the installation tool supplied with the sleeve is too short, a length of pipe or tubing with a squared-off, burr-free end can be substituted. Use care not to scratch the precision ground sleeve O.D.
8. Leave the flange intact unless clearance is required. If the flange is to be removed, one pre-cut of the flange perpendicular to the tear-off groove will aid in removal. Use heavy-duty side cutters or metal shears. Caution – cut only into the tear-off groove, not on to the finished sleeve surface. After positioning the sleeve, use standard pliers and flex the flange back and forth around its circumference and along the shaft axis. The flange will break loose along tear-off groove. Alternately, pry the flange away from the seal surface and twist it into a coil but take care not to lift the end of the sleeve off the shaft or it will leave a jagged edge. Flange removal must be done with care to avoid damage to sealing surface.
9. After the sleeve is installed, check again for burrs, which could damage the seal.
10. Lubricate the sleeve with the system media when installing the seal.
11. Proceed with the seal installation.

*Loctite "Quickmetal" (#66010) or similar works well for filling a groove and can be used as an adhesive or sealant if desired. Use of an adhesive can make the removal of the seal difficult.

SKF SPEEDI-SLEEVE removal

A SPEEDI-SLEEVE can be dismantled in one of the following ways: by applying heat to the sleeve; by using a pair of wire cutters starting at or near the flange and applying a twisting action; by "peening" with a small hammer across the full width of the sleeve to expand it or, if accessible, by using a drift on the flange. A SPEEDI-SLEEVE cannot be reused.

SPEEDI-SLEEVE size listing - Inches



Nominal shaft diameter	"A" Shaft diameter range		Stock number	"X" Width on shaft (Inches ±.031)	"Y" Overall width (Inches ±.031)	"D" Flange diameter (Inches ±.063)	"Z" Installation depth
	Minimum inches	Maximum inches					
0.472	0.469	0.475	99049	0.236	0.331	0.610	1.875
0.500	0.498	0.502	99050	0.250	0.344	0.610	2.000
0.551	0.547	0.551	99055	0.250	0.391	0.750	1.831
0.563	0.560	0.566	99056	0.250	0.391	0.750	1.831
0.591	0.589	0.593	99059	0.197	0.354	0.750	1.862
0.625	0.623	0.627	99810 *	0.313	0.406	0.750	2.000
0.625	0.623	0.627	99062	0.313	0.406	0.750	2.000
0.630	0.626	0.630	99058	0.313	0.438	0.718	2.000
0.669	0.667	0.671	99068	0.315	0.433	0.875	2.000
0.684	0.682	0.686	99060	0.313	0.438	0.900	2.000
0.709	0.704	0.709	99082	0.315	0.433	0.962	1.811
0.750	0.748	0.752	99811 *	0.313	0.438	0.945	2.000
0.750	0.748	0.752	99076	0.313	0.438	0.945	2.000
0.760	0.759	0.761	99081	0.313	0.438	0.938	2.000
0.781	0.780	0.784	99080	0.313	0.438	0.935	2.000
0.787	0.785	0.789	99078	0.315	0.433	0.930	2.000
0.813	0.812	0.815	99083	0.375	0.563	0.000	3.000
0.859	0.857	0.861	99086	0.250	0.375	1.155	2.000
0.866	0.861	0.866	99084	0.259	0.359	1.188	1.856
0.866	0.861	0.866	99085	0.315	0.472	1.188	1.812
0.875	0.873	0.877	99812 *	0.313	0.438	1.094	2.000
0.875	0.873	0.877	99087	0.313	0.438	1.094	2.000
0.910	0.908	0.912	99860 *	0.313	0.438	1.218	1.847
0.910	0.908	0.912	99091	0.313	0.438	1.218	1.847
0.945	0.940	0.945	99092	0.313	0.438	1.130	2.000
0.969	0.966	0.970	99094	0.313	0.438	1.130	2.000
0.969	0.966	0.970	99096	0.625	0.719	1.130	2.000
0.984	0.982	0.986	99813 *	0.313	0.433	1.300	2.000
0.984	0.982	0.986	99098	0.313	0.433	1.300	2.000
1.000	0.998	1.002	99814 *	0.313	0.438	1.219	2.000
1.000	0.998	1.002	99868	0.313	0.438	1.219	2.000
1.024	1.019	1.024	99103	0.315	0.472	1.313	1.813
1.063	1.060	1.064	99815 *	0.313	0.438	1.320	1.843
1.063	1.060	1.064	99106	0.313	0.438	1.320	1.843
1.089	1.087	1.091	99108	0.313	0.438	1.406	0.625
1.102	1.100	1.104	99866 *	0.375	0.500	1.375	1.843
1.102	1.100	1.104	99111	0.375	0.500	1.375	1.843
1.125	1.123	1.127	99816 *	0.313	0.438	1.500	0.688
1.125	1.123	1.127	99112	0.313	0.438	1.500	0.688

* Indicates Speedi-Sleeve Gold product

SPEEDI-SLEEVE size listing - Inches

Nominal shaft diameter	"A" Shaft diameter range		Stock number	"X"	"Y"	"D"	"Z"
	Minimum inches	Maximum inches		Width on shaft (Inches ±.031)	Overall width (Inches ±.031)	Flange diameter (Inches ±.063)	Installation depth
1.125	1.123	1.127	99116	0.375	0.500	1.500	0.688
1.156	1.154	1.158	99120	0.375	0.500	1.350	0.688
1.175	1.173	1.178	99122	0.313	0.438	1.400	0.688
1.181	1.179	1.184	99114	0.315	0.433	1.400	0.688
1.188	1.185	1.190	99118	0.313	0.438	1.400	0.688
1.219	1.216	1.222	99123	0.313	0.433	1.563	0.625
1.240	1.237	1.243	99141	0.315	0.438	1.540	0.688
1.250	1.247	1.253	99817 *	0.313	0.438	1.500	0.688
1.250	1.247	1.253	99871 *	0.625	0.750	1.500	2.000
1.250	1.247	1.253	99125	0.313	0.438	1.500	0.688
1.260	1.257	1.263	99128	0.315	0.438	1.500	0.688
1.299	1.297	1.301	99121	0.591	0.709	1.594	1.000
1.313	1.310	1.316	99818 *	0.500	0.625	1.594	0.813
1.313	1.308	1.314	99129	0.250	0.375	1.600	0.813
1.313	1.310	1.316	99131	0.500	0.625	1.594	0.813
1.339	1.333	1.339	99134	0.500	0.625	1.625	0.813
1.375	1.371	1.377	99819 *	0.500	0.625	1.638	0.813
1.375	1.375	1.381	99820 *	0.512	0.630	1.638	0.813
1.375	1.371	1.377	99133	0.313	0.438	1.638	0.813
1.375	1.371	1.377	99138	0.500	0.625	1.638	0.813
1.375	1.375	1.381	99139	0.512	0.630	1.638	0.813
1.417	1.411	1.417	99146	0.512	0.669	1.781	0.984
1.438	1.432	1.438	99821 *	0.563	0.688	1.781	1.016
1.438	1.432	1.438	99143	0.563	0.688	1.781	1.016
1.438	1.435	1.441	99144	0.375	0.500	1.781	1.016
1.496	1.490	1.496	99147	0.512	0.669	1.781	0.984
1.500	1.497	1.503	99822 *	0.563	0.688	1.781	1.016
1.500	1.497	1.503	99823 *	0.375	0.500	1.781	1.016
1.500	1.497	1.503	99149	0.563	0.688	1.781	1.016
1.500	1.497	1.503	99150	0.375	0.500	1.781	1.016
1.523	1.520	1.526	99152	0.438	0.563	1.859	1.016
1.552	1.549	1.555	99155	0.438	0.563	1.859	1.016
1.563	1.559	1.565	99824 *	0.563	0.688	1.859	1.016
1.563	1.559	1.565	99156	0.563	0.688	1.859	1.016
1.569	1.566	1.572	99159	0.625	0.750	1.859	1.016
1.575	1.569	1.575	99153	0.390	0.509	1.850	1.000
1.578	1.572	1.578	99825 *	0.512	0.630	1.850	1.023
1.578	1.572	1.578	99157	0.512	0.630	1.850	1.023
1.605	1.602	1.608	99160	0.500	0.641	1.938	1.000
1.614	1.608	1.614	99163	0.500	0.625	1.938	1.016
1.625	1.622	1.628	99826 *	0.563	0.688	1.875	0.813
1.625	1.622	1.628	99161	0.313	0.438	1.875	1.016
1.625	1.622	1.628	99162	0.563	0.688	1.875	0.813
1.650	1.647	1.654	99166	0.445	0.571	2.087	0.846
1.650	1.647	1.654	99169	0.563	0.689	2.087	0.827
1.654	1.647	1.654	99873 *	0.563	0.689	2.087	0.827
1.656	1.653	1.659	99165	0.550	0.689	2.087	0.827
1.688	1.685	1.691	99167	0.313	0.438	1.906	0.875
1.688	1.684	1.690	99168	0.563	0.688	1.906	0.875
1.693	1.687	1.693	99182	0.500	0.625	1.906	0.844
1.719	1.715	1.721	99171	0.563	0.688	2.031	0.813

* Indicates Speedi-Sleeve Gold product

SPEEDI-SLEEVE size listing - Inches

Nominal shaft diameter	"A" Shaft diameter range		Stock number	"X"	"Y"	"D"	"Z"
	Minimum inches	Maximum inches		Width on shaft (Inches ±.031)	Overall width (Inches ±.031)	Flange diameter (Inches ±.063)	Installation depth
1.739	1.736	1.742	99170	0.375	0.500	2.063	0.813
1.750	1.747	1.753	99827 *	0.563	0.688	2.063	0.813
1.750	1.747	1.753	99828 *	0.750	0.875	2.063	0.813
1.750	1.747	1.753	99172	0.375	0.500	2.055	0.813
1.750	1.747	1.753	99174	0.563	0.688	2.063	0.813
1.750	1.747	1.753	99175	0.750	0.875	2.063	0.813
1.750	1.747	1.753	99180	0.531	0.625	2.063	0.878
1.766	1.761	1.767	99829 *	0.563	0.688	2.063	0.813
1.766	1.761	1.767	99176	0.563	0.688	2.063	0.813
1.772	1.769	1.775	99830 *	0.551	0.669	2.087	0.812
1.772	1.769	1.775	99177	0.551	0.669	2.087	0.812
1.781	1.778	1.784	99179	0.667	0.800	2.125	1.062
1.813	1.809	1.815	99831 *	0.563	0.688	2.090	1.000
1.813	1.809	1.815	99181	0.563	0.688	2.090	1.000
1.859	1.857	1.863	99185	0.563	0.688	2.156	1.000
1.868	1.866	1.872	99186	0.889	1.025	2.188	1.000
1.875	1.872	1.878	99832 *	0.563	0.688	2.203	1.000
1.875	1.872	1.878	99184	0.375	0.516	2.203	1.050
1.875	1.872	1.878	99187	0.563	0.688	2.203	1.000
1.875	1.872	1.878	99188	0.295	0.415	2.203	0.744
1.875	1.872	1.878	99190	0.175	0.295	2.203	0.744
1.891	1.887	1.893	99189	0.551	0.668	2.205	0.984
1.912	1.909	1.915	99192	0.375	0.500	2.219	1.000
1.938	1.934	1.940	99833 *	0.563	0.688	2.219	1.000
1.938	1.934	1.940	99193	0.563	0.688	2.219	1.000
1.969	1.965	1.971	99196	0.551	0.668	2.244	0.984
1.969	1.965	1.971	99052	0.551	0.668	2.224	1.350
1.980	1.977	1.983	99198	0.563	0.704	2.313	1.050
2.000	1.997	2.003	99834 *	0.563	0.688	2.406	1.006
2.000	1.997	2.003	99835 *	0.875	1.000	2.406	1.000
2.000	1.997	2.003	99199	0.563	0.688	2.406	1.000
2.000	1.997	2.003	99200	0.875	1.000	2.406	1.000
2.047	2.040	2.047	99878	0.500	0.625	2.469	1.359
2.063	2.057	2.063	99205	0.781	0.938	2.469	1.375
2.125	2.124	2.130	99836 *	0.781	0.938	2.422	1.375
2.125	2.123	2.128	99210	0.500	0.750	2.422	1.281
2.125	2.124	2.130	99212	0.781	0.938	2.422	1.375
2.165	2.162	2.169	99863 *	0.787	0.905	2.441	1.250
2.165	2.162	2.168	99215	0.787	0.905	2.441	1.250
2.188	2.186	2.192	99218	0.781	0.938	2.500	1.313
2.205	2.198	2.205	99220	0.500	0.625	2.531	1.313
2.230	2.227	2.233	99861 *	0.500	0.625	2.531	1.313
2.230	2.227	2.233	99229	0.500	0.625	2.531	1.313
2.230	2.227	2.233	99230	0.781	0.906	2.531	1.250
2.240	2.237	2.243	99226	0.764	0.900	2.563	1.250
2.250	2.249	2.255	99837 *	0.781	0.938	2.531	1.313
2.250	2.249	2.255	99838 *	0.313	0.438	2.531	1.313
2.250	2.249	2.255	99225	0.781	0.938	2.531	1.313
2.250	2.249	2.255	99227	0.313	0.438	2.531	1.313
2.283	2.280	2.286	99219	0.787	0.938	2.598	1.375
2.313	2.309	2.315	99231	0.781	0.938	2.688	1.375

* Indicates Speedi-Sleeve Gold product

SPEEDI-SLEEVE size listing - Inches

Nominal shaft diameter	"A" Shaft diameter range		Stock number	"X"	"Y"	"D"	"Z"
	Minimum inches	Maximum inches		Width on shaft (Inches ±.031)	Overall width (Inches ±.031)	Flange diameter (Inches ±.063)	Installation depth
2.328	2.327	2.333	99233	0.750	0.875	2.750	1.500
2.362	2.359	2.365	99869*	0.787	0.905	2.785	1.375
2.362	2.359	2.365	99235	0.787	0.905	2.785	1.375
2.362	2.359	2.365	99241	0.370	0.450	2.785	1.471
2.375	2.374	2.380	99839*	0.781	0.938	2.750	1.375
2.375	2.374	2.380	99237	0.781	0.938	2.750	1.375
2.375	2.372	2.378	99238	0.594	0.750	2.750	1.375
2.375	2.374	2.380	99240	0.526	0.683	2.750	1.375
2.438	2.435	2.441	99242	0.500	0.625	2.828	1.425
2.438	2.434	2.440	99243	0.781	0.938	2.828	1.393
2.441	2.434	2.441	99244	0.500	0.625	2.828	1.425
2.492	2.489	2.495	99249	0.781	0.938	2.875	1.393
2.500	2.500	2.506	99840*	0.781	0.938	2.820	1.375
2.500	2.500	2.506	99248	0.500	0.656	2.828	1.393
2.500	2.500	2.506	99250	0.781	0.938	2.820	1.375
2.500	2.497	2.503	99253	0.555	0.650	2.820	0.890
2.516	2.510	2.516	99251	0.781	0.906	2.828	1.438
2.559	2.556	2.562	99841*	0.787	0.905	2.850	1.375
2.559	2.556	2.562	99254	0.787	0.905	2.850	1.375
2.563	2.560	2.566	99256	0.781	0.938	2.891	1.375
2.598	2.595	2.601	99259	0.781	0.938	2.990	1.250
2.621	2.618	2.624	99261	0.781	0.938	3.047	1.375
2.625	2.625	2.631	99842*	0.781	0.938	3.047	1.375
2.625	2.622	2.628	99260	0.500	0.625	3.047	1.375
2.625	2.625	2.631	99262	0.781	0.938	3.047	1.375
2.625	2.621	2.627	99264	0.781	0.906	3.047	1.375
2.677	2.670	2.677	99266	0.750	0.875	3.125	1.688
2.730	2.727	2.733	99268	0.781	0.906	3.125	1.313
2.743	2.740	2.746	99273	0.781	0.938	3.065	1.250
2.750	2.745	2.751	99843*	0.781	0.938	3.125	1.250
2.750	2.750	2.756	99844*	0.781	0.938	3.125	1.250
2.750	2.747	2.753	99267	1.438	1.625	3.075	1.625
2.750	2.750	2.756	99269	1.125	1.250	3.125	1.312
2.750	2.750	2.756	99272	0.406	0.563	3.125	1.250
2.750	2.745	2.751	99274	0.781	0.938	3.125	1.250
2.750	2.750	2.756	99275	0.781	0.938	3.125	1.250
2.756	2.753	2.759	99276	0.787	0.945	3.125	1.250
2.813	2.809	2.815	99281	0.594	0.688	3.188	1.250
2.835	2.827	2.835	99870*	0.750	0.875	3.225	1.343
2.835	2.828	2.835	99284	0.750	0.875	3.225	1.343
2.838	2.838	2.844	99845*	0.500	0.656	3.225	1.250
2.838	2.838	2.844	99282	0.500	0.656	3.225	1.250
2.869	2.866	2.872	99286	0.781	0.938	3.188	1.250
2.875	2.873	2.879	99846*	0.781	0.938	3.219	1.250
2.875	2.873	2.879	99287	0.781	0.938	3.219	1.250
2.938	2.937	2.943	99847*	0.781	0.938	3.344	1.313
2.938	2.937	2.943	99290	0.500	0.641	3.344	1.331
2.940	2.937	2.943	99293	0.781	0.938	3.344	1.313
2.953	2.950	2.956	99875*	0.866	1.024	3.305	1.313
2.953	2.950	2.956	99289	0.594	0.690	3.273	1.083
2.953	2.950	2.956	99294	0.866	1.024	3.305	1.313

* Indicates Speedi-Sleeve Gold product

SPEEDI-SLEEVE size listing - Inches

Nominal shaft diameter	"A" Shaft diameter range		Stock number	"X"	"Y"	"D"	"Z"
	Minimum inches	Maximum inches		Width on shaft (Inches ±.031)	Overall width (Inches ±.031)	Flange diameter (Inches ±.063)	Installation depth
2.974	2.972	2.976	99292	0.813	1.000	3.235	1.250
2.993	2.990	2.996	99291	0.484	0.625	3.359	1.331
2.993	2.990	2.996	99298	0.563	0.688	3.359	1.375
2.993	2.990	2.996	99299	0.813	1.000	3.350	1.281
3.000	3.000	3.006	99848 *	0.813	1.000	3.235	1.281
3.000	2.997	3.003	99296	0.813	0.938	3.240	1.375
3.000	3.000	3.006	99300	0.813	1.000	3.235	1.281
3.003	3.000	3.006	99048	0.625	0.813	3.345	1.280
3.011	3.008	3.014	99301	0.500	0.625	3.355	2.000
3.071	3.064	3.071	99306	0.750	0.875	3.468	2.056
3.125	3.120	3.126	99849 *	0.813	1.000	3.531	2.000
3.125	3.120	3.126	99311	0.688	0.813	3.531	2.000
3.125	3.120	3.126	99312	0.813	1.000	3.531	2.000
3.128	3.124	3.132	99053	0.551	0.709	3.525	2.031
3.150	3.142	3.150	99313	0.750	0.886	3.540	1.375
3.150	3.146	3.153	99315	0.827	0.945	3.543	1.375
3.150	3.146	3.153	99317	0.433	0.591	3.543	1.375
3.228	3.225	3.231	99328	0.660	0.848	3.585	1.750
3.250	3.250	3.256	99850 *	0.595	0.719	3.575	1.375
3.250	3.250	3.256	99851 *	0.813	1.000	3.585	1.375
3.250	3.247	3.253	99322	0.813	1.000	3.594	1.375
3.250	3.250	3.256	99324	0.595	0.719	3.575	1.375
3.250	3.250	3.256	99325	0.813	1.000	3.585	1.375
3.250	3.250	3.256	99326	0.688	0.875	3.585	1.250
3.310	3.307	3.313	99331	0.813	1.000	3.688	1.375
3.342	3.337	3.347	99332	0.669	0.827	3.700	1.378
3.342	3.337	3.347	99333	0.827	0.984	3.700	1.378
3.346	3.337	3.347	99872 *	0.827	0.984	3.700	1.378
3.346	3.338	3.346	99334	0.399	0.499	3.580	1.431
3.375	3.373	3.379	99337	0.813	1.000	3.695	1.375
3.375	3.373	3.379	99338	0.375	0.500	3.688	1.410
3.438	3.435	3.441	99339	0.781	0.906	3.844	1.406
3.480	3.477	3.483	99340	0.781	0.906	3.835	1.406
3.500	3.500	3.506	99852 *	0.813	1.000	3.844	1.347
3.500	3.497	3.503	99346	0.625	0.813	3.844	1.347
3.500	3.500	3.506	99347	0.313	0.500	3.825	1.347
3.500	3.500	3.506	99350	0.813	1.000	3.844	1.347
3.504	3.501	3.507	99349	0.625	0.813	3.844	1.348
3.543	3.540	3.546	99351	0.710	0.906	4.000	1.813
3.543	3.540	3.546	99352	0.438	0.538	4.000	1.813
3.543	3.540	3.546	99353	0.526	0.667	4.000	1.750
3.543	3.540	3.546	99354	0.906	1.102	4.000	1.750
3.563	3.560	3.566	99356	0.813	1.000	3.900	1.750
3.621	3.618	3.624	99360	0.813	1.000	4.031	1.750
3.625	3.623	3.629	99362	0.813	1.000	4.031	1.750
3.625	3.623	3.629	99363	0.500	0.625	4.025	1.750
3.688	3.685	3.691	99365	0.813	0.938	4.025	1.800
3.688	3.684	3.690	99368	0.313	0.438	4.031	0.875
3.730	3.727	3.733	99359	0.469	0.594	4.016	1.800
3.730	3.727	3.733	99366	0.781	0.906	4.025	1.800
3.740	3.737	3.743	99369	0.827	0.945	4.025	1.800

* Indicates Speedi-Sleeve Gold product

SPEEDI-SLEEVE size listing - Inches

Nominal shaft diameter	"A" Shaft diameter range		Stock number	"X"	"Y"	"D"	"Z"
	Minimum inches	Maximum inches		Width on shaft (Inches ±.031)	Overall width (Inches ±.031)	Flange diameter (Inches ±.063)	Installation depth
3.743	3.740	3.746	99364	0.469	0.594	4.035	1.800
3.743	3.740	3.746	99374	0.344	0.500	4.031	1.800
3.749	3.746	3.752	99376	0.563	0.688	4.025	1.800
3.750	3.750	3.756	99853*	0.688	0.875	4.020	1.800
3.753	3.750	3.756	99367	0.344	0.500	4.025	1.800
3.753	3.750	3.756	99372	0.688	0.875	4.020	1.800
3.871	3.868	3.874	99386	0.813	1.000	4.185	1.875
3.875	3.873	3.879	99387	0.813	1.000	4.219	1.875
3.938	3.935	3.941	99854*	0.813	1.000	4.313	2.050
3.938	3.935	3.941	99393	0.813	1.000	4.313	2.050
4.000	3.998	4.006	99855*	0.813	1.000	4.375	2.050
4.000	3.998	4.006	99395	0.600	0.725	4.375	2.050
4.000	3.998	4.006	99399	0.813	1.000	4.375	2.050
4.000	3.998	4.006	99400	0.650	0.775	4.375	1.375
4.000	3.998	4.006	99401	0.500	0.625	4.375	2.066
4.094	4.090	4.098	99409	0.787	0.945	4.438	1.417
4.125	4.122	4.130	99412	0.813	1.000	4.470	1.375
4.134	4.130	4.138	99413	0.787	0.913	4.470	1.378
4.188	4.183	4.191	99418	0.813	1.000	4.500	1.375
4.234	4.226	4.234	99423	0.781	0.906	4.610	1.438
4.250	4.248	4.256	99424	0.813	1.000	4.610	1.438
4.328	4.327	4.335	99435	0.509	0.650	4.921	1.250
4.331	4.322	4.331	99434	0.448	0.589	4.921	1.297
4.375	4.370	4.378	99437	0.813	1.000	4.750	1.650
4.409	4.401	4.409	99438	0.750	0.886	4.750	1.300
4.438	4.434	4.442	99439	1.000	1.142	4.813	1.313
4.500	4.496	4.504	99856*	0.813	1.000	4.900	1.250
4.500	4.496	4.504	99450	0.813	1.000	4.850	1.250
4.528	4.523	4.531	99452	0.813	0.938	5.000	1.250
4.625	4.621	4.629	99463	1.000	1.250	5.063	1.375
4.625	4.621	4.629	99465	0.438	0.625	5.000	1.375
4.688	4.685	4.693	99468	0.813	1.000	5.063	1.375
4.724	4.720	4.728	99471	0.315	0.433	5.110	1.323
4.724	4.720	4.728	99473	0.787	0.984	5.110	1.260
4.750	4.746	4.754	99475	0.500	0.750	5.000	1.500
4.803	4.799	4.807	99472	0.787	0.945	5.177	1.260
4.875	4.871	4.879	99487	0.625	0.750	5.250	1.438
4.921	4.917	4.925	99490	0.394	0.551	5.400	1.438
4.921	4.917	4.925	99492	1.024	1.260	5.400	1.438
5.000	4.998	5.006	99857*	0.688	0.875	5.400	1.438
5.000	4.998	5.006	99858*	0.813	1.000	5.390	1.438
5.000	4.998	5.006	99498	0.688	0.875	5.400	1.438
5.000	4.998	5.006	99499	0.813	1.000	5.390	1.438
5.000	4.998	5.006	99501	0.540	0.681	5.400	1.438
5.114	5.110	5.118	99494	0.750	0.938	5.493	1.181
5.125	5.117	5.125	99491	0.866	0.996	5.493	1.280
5.125	5.120	5.128	99513	0.813	1.000	5.500	1.250
5.250	5.246	5.254	99525	0.813	1.000	5.560	1.250
5.311	5.307	5.315	99533	0.807	1.000	5.735	1.250
5.375	5.371	5.379	99537	0.813	1.000	5.875	1.250
5.438	5.434	5.442	99548	1.500	1.688	5.750	1.875

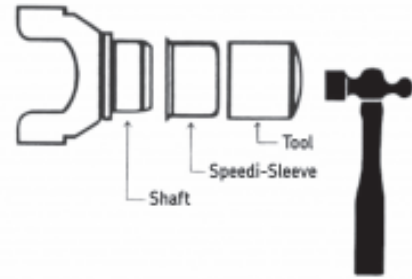
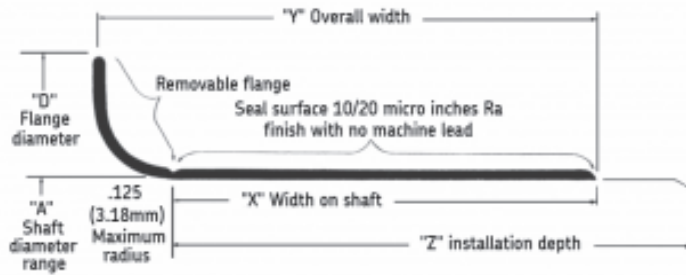
* Indicates Speedi-Sleeve Gold product

SPEEDI-SLEEVE size listing - Inches

Nominal shaft diameter	"A" Shaft diameter range		Stock number	"X"	"Y"	"D"	"Z"
	Minimum inches	Maximum inches		Width on shaft (Inches ±.031)	Overall width (Inches ±.031)	Flange diameter (Inches ±.063)	Installation depth
5.476	5.472	5.480	99547	0.563	0.750	5.900	1.234
5.500	5.498	5.506	99859*	0.813	1.000	5.938	1.250
5.500	5.498	5.506	99549	0.813	1.000	5.938	1.250
5.500	5.498	5.506	99550	0.518	0.705	5.938	1.250
5.512	5.508	5.516	99552	0.807	1.000	5.945	1.250
5.625	5.621	5.629	99560	0.875	1.000	6.188	1.812
5.709	5.699	5.709	99571	0.750	0.875	6.100	1.812
5.734	5.726	5.734	99562	0.563	0.750	6.100	1.938
5.750	5.746	5.754	99575	0.813	1.000	6.180	1.750
5.875	5.871	5.879	99862*	1.000	1.250	6.188	1.313
5.875	5.871	5.879	99587	1.000	1.250	6.188	1.313
5.905	5.896	5.906	99595	1.024	1.181	6.260	1.280
5.938	5.934	5.942	99596	1.000	1.125	6.375	1.875
6.000	5.995	6.003	99599	1.000	1.250	6.375	1.750
6.000	5.995	6.003	99601	0.500	0.750	6.360	1.750
6.063	6.058	6.068	99605	1.024	1.181	6.375	1.299
6.097	6.092	6.102	99606	1.024	1.181	6.575	1.299
6.203	6.198	6.208	99620	0.813	1.063	6.625	1.750
6.250	6.245	6.255	99625	1.031	1.250	6.625	1.750
6.299	6.289	6.299	99630	1.000	1.250	6.750	1.375
6.500	6.495	6.505	99650	1.000	1.250	7.000	1.375
6.688	6.683	6.693	99640	1.250	1.496	7.188	1.750
6.750	6.745	6.755	99675	0.813	1.063	7.125	1.750
6.890	6.880	6.890	99687	1.102	1.260	7.362	1.378
7.000	6.995	7.005	99864*	1.000	1.250	7.475	1.688
7.000	6.995	7.005	99700	1.000	1.250	7.475	1.688
7.087	7.077	7.087	99721	1.299	1.496	7.500	1.752
7.250	7.244	7.254	99725	1.250	1.500	7.760	2.175
7.278	7.273	7.283	99726	1.260	1.496	7.760	2.165
7.453	7.444	7.454	99745	0.813	1.000	7.860	1.250
7.500	7.495	7.505	99750	0.813	1.000	7.875	1.250
7.750	7.745	7.755	99775	1.000	1.313	8.270	1.875
7.875	7.869	7.879	99787	1.359	1.500	8.375	1.750
7.938	7.933	7.943	99799	1.000	1.250	8.375	1.750
8.000	7.995	8.005	99800	1.000	1.250	8.375	1.750

* Indicates Speedi-Sleeve Gold product

SPEEDI-SLEEVE size listing - Metric



Nominal shaft diameter	"A" Shaft diameter range		Stock number	"X" Width on shaft ±0.8 MM	"Y" Overall width ±0.8 MM	"D" Flange diameter ±1.6 MM	"Z" Installation depth MM
	Minimum MM	Maximum MM					
12.00	11.91	12.07	99049	6.00	8.40	15.50	47.60
12.70	12.65	12.75	99050	6.35	9.93	19.05	46.51
14.00	13.89	14.00	99055	6.35	9.93	19.05	46.51
14.30	14.22	14.38	99056	6.35	9.93	19.05	46.51
15.00	14.96	15.06	99059	5.00	8.99	19.05	47.29
15.88	15.82	15.93	99810 *	7.95	10.31	19.05	50.80
15.88	15.83	15.93	99062	7.95	10.31	19.05	50.80
16.00	15.89	16.00	99058	7.95	11.10	18.24	50.80
17.00	16.94	17.04	99068	7.95	11.00	22.23	50.80
17.37	17.32	17.42	99060	7.95	11.13	22.86	50.80
18.00	17.87	18.00	99082	8.00	11.00	24.43	46.00
19.00	19.00	19.10	99811 *	7.95	11.13	24.00	50.80
19.00	19.00	19.10	99076	7.95	11.13	24.00	50.80
19.30	19.27	19.33	99081	7.95	11.13	23.83	50.80
19.86	19.81	19.91	99080	7.95	11.13	23.75	50.80
20.00	19.94	20.04	99078	8.00	11.00	23.62	50.80
20.65	20.62	20.70	99083	9.52	14.30	30.18	76.20
21.82	21.77	21.87	99086	6.35	9.52	29.34	50.80
22.00	21.87	22.00	99084	6.58	9.09	30.20	47.09
22.00	21.87	22.00	99085	8.00	11.99	30.17	46.05
22.23	22.17	22.28	99812 *	7.95	11.13	27.79	50.80
22.23	22.18	22.28	99087	7.95	11.13	27.79	50.80
23.11	23.06	23.16	99091	7.95	11.13	30.94	46.91
23.11	23.06	23.17	99860 *	7.95	11.13	30.94	46.91
24.00	23.87	24.00	99092	7.95	11.10	28.70	50.80
24.59	24.54	24.64	99094	7.95	11.13	28.70	50.80
24.59	24.54	24.64	99096	15.88	18.26	28.70	50.80
25.00	24.94	25.04	99813 *	7.95	11.00	33.02	50.80
25.00	24.94	25.04	99098	7.95	11.00	33.02	50.80
25.40	25.35	25.45	99814 *	7.95	11.13	30.96	50.80
25.40	25.35	25.45	99868	7.95	11.13	30.96	50.80
26.00	25.88	26.01	99103	8.00	11.99	33.35	46.05
27.00	26.92	27.03	99815 *	7.95	11.13	33.53	46.81
27.00	26.92	27.02	99106	7.95	11.13	33.53	46.81
27.66	27.61	27.71	99108	7.95	11.13	35.71	15.88
28.00	27.94	28.04	99866 *	9.52	12.70	34.92	46.81
28.00	27.94	28.04	99111	9.52	12.70	34.92	46.81
28.58	28.52	28.63	99816 *	7.95	11.13	38.10	17.48
28.58	28.53	28.63	99112	7.95	11.13	38.10	17.48

* Indicates Speedi-Sleeve Gold product

SPEEDI-SLEEVE size listing - Metric

Nominal shaft diameter	"A" Shaft diameter range		Stock number	"X"	"Y"	"D"	"Z"
	Minimum MM	Maximum MM		Width on shaft ±0.8 MM	Overall width ±0.8 MM	Flange diameter ±1.6 MM	Installation depth MM
28.58	28.53	28.63	99116	9.52	12.70	38.10	17.48
29.36	29.31	29.41	99120	9.52	12.70	34.29	17.48
29.85	29.80	29.93	99122	7.95	11.13	35.56	17.48
30.00	29.95	30.08	99114	8.00	11.00	35.56	17.48
30.15	30.10	30.23	99118	7.95	11.13	35.56	17.48
31.00	30.88	31.04	99123	7.95	11.00	39.70	15.88
31.50	31.42	31.58	99141	8.00	11.10	39.12	17.48
31.75	31.67	31.83	99817 *	7.95	11.13	38.10	17.48
31.75	31.67	31.83	99871 *	15.88	19.05	38.10	50.80
31.75	31.67	31.83	99125	7.95	11.13	38.10	17.48
32.00	31.92	32.08	99128	8.00	11.13	38.10	17.48
33.00	32.94	33.04	99121	15.01	18.00	40.49	20.65
33.30	33.22	33.38	99129	6.35	9.50	40.64	20.65
33.35	33.27	33.43	99818 *	12.70	15.90	40.49	20.65
33.35	33.27	33.43	99131	12.70	15.88	40.49	20.65
34.00	33.86	34.01	99134	12.70	15.90	41.28	20.70
34.90	34.82	34.98	99133	7.95	11.13	41.60	20.65
34.90	34.82	34.98	99138	12.70	15.88	41.60	20.65
34.92	34.82	34.98	99819 *	12.70	15.88	41.60	20.65
35.00	34.92	35.08	99820 *	13.01	16.00	41.60	20.65
35.00	34.92	35.08	99139	13.01	16.00	41.60	20.65
36.00	35.85	36.00	99146	13.01	16.99	45.24	24.99
36.45	36.37	36.53	99143	14.30	17.48	45.24	25.81
36.53	36.37	36.53	99821 *	14.30	17.48	45.24	25.81
36.53	36.45	36.61	99144	9.52	12.70	45.24	25.81
38.00	37.85	38.00	99147	13.01	16.99	45.24	24.99
38.10	38.02	38.18	99822 *	14.30	17.48	45.24	25.81
38.10	38.02	38.18	99823 *	9.52	12.70	45.24	25.81
38.10	38.02	38.18	99149	14.30	17.48	45.24	25.81
38.10	38.02	38.18	99150	9.52	12.70	45.24	25.81
38.68	38.60	38.76	99152	11.13	14.30	47.22	25.81
39.42	39.34	39.50	99155	11.13	14.30	47.22	25.81
39.67	39.59	39.75	99156	14.30	17.48	47.22	25.81
39.70	39.60	39.75	99824 *	14.30	17.48	47.22	25.81
39.85	39.77	39.93	99159	15.88	19.05	47.22	25.81
40.00	39.93	40.08	99825 *	13.01	16.00	46.99	25.98
40.00	39.84	40.00	99153	9.91	12.93	46.99	25.40
40.00	39.93	40.09	99157	13.01	16.00	46.99	25.98
40.77	40.69	40.85	99160	12.70	16.28	49.22	25.40
41.00	40.84	41.00	99163	12.70	15.88	49.20	25.81
41.28	41.20	41.35	99826 *	14.30	17.48	47.63	20.65
41.28	41.20	41.36	99161	7.95	11.13	47.63	25.81
41.28	41.20	41.36	99162	14.30	17.48	47.63	20.65
42.00	41.84	42.00	99873 *	14.00	18.00	53.01	21.01
42.00	41.84	42.00	99166	11.30	14.50	53.01	21.49
42.00	41.84	42.00	99169	14.30	17.50	53.01	21.01
42.06	41.98	42.14	99165	13.97	17.50	53.01	21.01
42.85	42.78	42.93	99168	14.30	17.48	48.41	22.23
42.88	42.80	42.96	99167	7.95	11.13	48.41	22.23
43.00	42.84	43.00	99182	12.70	15.88	48.41	21.41
43.64	43.56	43.72	99171	14.30	17.48	51.59	20.65

* Indicates Speedi-Sleeve Gold product

SPEEDI-SLEEVE size listing - Metric

Nominal shaft diameter	"A" Shaft diameter range		Stock number	"X"	"Y"	"D"	"Z"
	Minimum MM	Maximum MM		Width on shaft ±0.8 MM	Overall width ±0.8 MM	Flange diameter ±1.6 MM	Installation depth MM
44.17	44.09	44.25	99170	9.52	12.70	52.40	20.65
44.45	44.37	44.53	99827 *	14.30	17.48	52.40	20.65
44.45	44.37	44.53	99828 *	19.05	22.23	52.40	20.65
44.45	44.37	44.53	99172	9.52	12.70	52.20	20.65
44.45	44.37	44.53	99174	14.30	17.48	52.40	20.65
44.45	44.37	44.53	99175	19.05	22.23	52.40	20.65
44.45	44.37	44.53	99180	13.49	15.88	52.40	22.23
44.81	44.73	44.89	99176	13.99	16.99	53.01	20.65
44.86	44.73	44.88	99829 *	14.30	17.48	52.40	20.65
45.00	44.93	45.08	99830 *	16.87	20.32	53.97	26.98
45.00	44.93	45.09	99177	13.99	16.99	53.01	20.63
45.24	45.16	45.32	99179	14.30	17.48	53.09	25.40
46.05	45.95	46.10	99831 *	14.30	17.48	54.76	25.40
46.05	45.94	46.10	99181	14.30	17.48	53.09	25.40
47.24	47.16	47.32	99185	22.58	17.48	55.58	25.40
47.45	47.39	47.55	99186	22.58	26.03	55.95	25.40
47.63	47.55	47.70	99832 *	14.30	17.48	55.96	25.40
47.63	47.55	47.71	99184	9.53	13.11	55.96	26.67
47.63	47.55	47.71	99187	14.30	17.48	55.96	25.40
47.63	47.55	47.71	99188	7.49	10.54	55.96	18.90
47.63	47.55	47.71	99190	4.45	7.49	55.96	18.90
48.00	47.93	48.09	99189	14.00	16.97	56.01	24.99
48.56	48.48	48.64	99192	9.53	12.70	56.36	25.40
49.20	49.12	49.28	99193	14.30	17.48	56.36	25.40
49.22	49.12	49.28	99833 *	14.30	17.48	56.36	25.40
50.00	49.91	50.07	99196	14.00	17.00	57.00	24.99
50.00	49.91	50.07	99052	14.00	17.00	57.00	34.29
50.30	50.21	50.37	99198	14.30	17.88	58.75	26.67
50.80	50.72	50.88	99834 *	14.30	17.48	61.11	25.40
50.80	50.72	50.88	99835 *	22.23	25.40	61.11	25.40
50.80	50.72	50.88	99199	14.30	17.48	61.11	25.40
50.80	50.72	50.88	99200	22.23	25.40	61.11	25.40
52.00	51.81	52.00	99878	12.70	15.88	62.71	34.52
52.32	52.24	52.40	99205	19.84	23.83	62.71	34.93
54.00	53.95	54.10	99836 *	19.84	23.83	61.52	34.92
54.00	53.92	54.06	99210	12.70	19.05	61.52	32.54
54.00	53.95	54.11	99212	19.84	23.83	61.52	34.93
54.99	54.92	55.09	99863 *	19.99	22.99	62.00	31.75
55.00	54.91	55.07	99215	19.99	22.99	62.00	31.75
55.60	55.52	55.68	99218	19.84	23.83	63.50	33.35
56.00	55.81	56.00	99220	12.70	15.88	64.29	33.35
56.64	56.56	56.72	99229	12.70	15.88	64.29	33.35
56.64	56.56	56.72	99230	19.84	23.01	64.29	31.75
56.64	56.57	56.72	99861 *	12.70	15.88	64.29	33.35
56.90	56.82	56.98	99226	19.41	22.86	65.10	31.75
57.15	57.13	57.28	99837 *	19.84	23.83	64.29	33.35
57.15	57.13	57.28	99838 *	7.95	11.13	64.29	33.35
57.20	57.12	57.28	99225	19.84	23.83	64.29	33.35
57.20	57.12	57.28	99227	7.95	11.13	64.29	33.35
58.00	57.91	58.06	99219	19.84	23.83	65.99	34.92
58.72	58.64	58.80	99231	19.84	23.83	68.28	34.93

* Indicates Speedi-Sleeve Gold product

SPEEDI-SLEEVE size listing - Metric

Nominal shaft diameter	"A" Shaft diameter range		Stock number	"X"	"Y"	"D"	"Z"
	Minimum MM	Maximum MM		Width on shaft ±0.8 MM	Overall width ±0.8 MM	Flange diameter ±1.6 MM	Installation depth MM
59.18	59.10	59.26	99233	19.05	22.23	69.85	38.10
60.00	59.91	60.07	99869 *	20.00	23.00	70.74	34.93
60.00	59.91	60.07	99235	20.00	23.00	70.74	34.93
60.00	59.92	60.08	99241	9.40	11.43	70.74	37.36
60.33	60.30	60.45	99839 *	19.84	23.83	69.85	34.92
60.33	60.25	60.41	99238	15.09	19.05	69.85	34.93
60.38	60.30	60.46	99237	19.84	23.83	69.85	34.93
60.38	60.30	60.46	99240	13.36	17.35	69.85	34.93
61.90	61.82	61.98	99243	19.84	23.83	71.83	35.38
62.00	61.85	62.01	99242	12.70	15.88	71.83	36.20
62.00	61.81	62.00	99244	12.70	15.88	71.83	36.20
63.30	63.22	63.38	99249	19.84	23.83	73.03	35.38
63.50	63.50	63.65	99840 *	19.84	23.83	71.63	34.92
63.50	63.50	63.66	99248	12.70	16.66	71.83	35.38
63.50	63.50	63.66	99250	19.84	23.83	71.63	34.93
63.50	63.42	63.58	99253	14.10	16.51	71.63	22.61
63.83	63.75	63.91	99251	19.84	23.01	71.83	36.53
65.00	64.92	65.07	99841 *	20.00	23.00	72.39	34.92
65.00	64.92	65.08	99254	19.99	22.99	72.39	34.93
65.10	65.02	65.18	99256	19.84	23.83	73.43	34.93
66.00	65.91	66.07	99259	19.84	23.83	75.95	31.75
66.57	66.49	66.65	99261	19.84	23.83	77.39	34.93
66.65	66.57	66.73	99264	19.84	23.01	77.39	34.93
66.68	66.68	66.83	99842 *	19.84	23.83	77.39	34.92
66.68	66.60	66.76	99260	12.70	15.88	77.39	34.93
66.75	66.67	66.83	99262	19.84	23.83	77.39	34.93
68.00	67.81	68.00	99266	19.05	22.23	79.38	42.88
69.34	69.26	69.42	99268	19.84	23.01	79.38	33.35
69.67	69.59	69.75	99273	19.84	23.83	77.85	31.75
69.80	69.72	69.88	99274	19.84	23.83	79.38	31.75
69.85	69.72	69.88	99843 *	19.84	23.83	79.38	31.75
69.85	69.77	69.93	99267	36.53	41.28	78.11	41.28
70.00	69.85	70.00	99844 *	19.84	23.83	79.38	31.75
70.00	69.85	70.01	99269	28.58	31.75	79.38	33.32
70.00	69.85	70.01	99272	10.31	14.30	79.38	31.75
70.00	69.85	70.01	99275	19.84	23.83	79.38	31.75
70.00	69.92	70.08	99276	19.99	24.00	79.38	31.75
71.42	71.34	71.50	99281	15.09	17.48	80.98	31.75
72.00	71.81	72.01	99870 *	19.05	22.23	81.92	34.11
72.00	71.81	72.00	99284	19.05	22.23	81.92	34.11
72.08	72.08	72.24	99845 *	12.70	16.66	81.92	31.75
72.16	72.08	72.24	99282	12.70	16.66	81.92	31.75
72.87	72.79	72.95	99286	19.84	23.83	80.98	31.75
73.00	72.97	73.13	99846 *	19.84	23.83	81.76	31.75
73.00	72.97	73.13	99287	19.84	23.83	81.76	31.75
74.63	74.60	74.75	99847 *	19.84	23.83	84.94	33.35
74.68	74.60	74.76	99290	12.70	16.28	84.94	33.81
74.68	74.60	74.75	99293	19.84	23.83	84.94	33.35
75.00	74.93	75.09	99875 *	22.00	26.01	83.95	33.35
75.00	74.93	75.09	99289	15.09	17.53	83.13	27.51
75.00	74.93	75.09	99294	22.00	26.01	83.95	33.35

* Indicates Speedi-Sleeve Gold product

SPEEDI-SLEEVE size listing - Metric

Nominal shaft diameter	"A" Shaft diameter range		Stock number	"X"	"Y"	"D"	"Z"
	Minimum MM	Maximum MM		Width on shaft ±0.8 MM	Overall width ±0.8 MM	Flange diameter ±1.6 MM	Installation depth MM
75.54	75.49	75.59	99292	20.62	25.40	82.17	31.75
76.00	75.94	76.10	99298	14.30	17.48	85.32	34.93
76.00	75.94	76.10	99299	20.65	25.40	85.09	32.54
76.02	75.94	76.10	99291	12.29	15.88	85.32	33.81
76.20	76.20	76.35	99848 *	20.65	25.40	82.17	32.54
76.20	76.12	76.28	99296	20.65	23.83	82.30	34.93
76.28	76.20	76.36	99300	20.65	25.40	82.17	32.54
76.28	76.20	76.36	99048	15.88	20.65	84.96	32.51
76.48	76.40	76.56	99301	12.70	15.88	85.22	50.80
78.00	77.81	78.00	99306	19.05	22.23	88.04	52.22
79.32	79.24	79.40	99311	17.48	20.65	89.69	50.80
79.38	79.25	79.40	99849 *	20.65	25.40	89.69	50.80
79.38	79.24	79.40	99312	20.65	25.40	89.69	50.80
79.45	79.35	79.55	99053	14.00	18.01	89.54	51.59
80.00	79.81	80.01	99313	19.05	22.50	89.92	34.93
80.00	79.91	80.08	99315	21.01	24.00	89.99	34.93
80.00	79.90	80.08	99317	11.00	15.01	89.99	34.93
82.00	81.91	82.07	99328	16.76	21.54	91.06	44.45
82.50	82.50	82.70	99850 *	15.11	18.26	90.81	34.92
82.55	82.55	82.70	99851 *	20.65	25.40	91.06	34.92
82.55	82.47	82.63	99322	20.65	25.40	91.29	34.93
82.63	82.55	82.71	99324	15.11	18.26	90.81	34.93
82.63	82.55	82.71	99325	20.65	25.40	91.06	34.93
82.63	82.55	82.71	99326	17.48	22.23	91.06	31.75
84.00	84.00	84.15	99331	20.65	25.40	93.68	34.93
85.00	84.76	85.02	99872 *	21.00	25.00	93.98	35.00
85.00	84.76	85.02	99332	16.99	21.00	93.98	35.00
85.00	84.76	85.02	99333	21.01	24.99	93.98	35.00
85.00	84.78	85.00	99334	10.13	12.67	90.93	36.35
85.75	85.67	85.83	99337	20.65	25.40	93.85	34.93
85.75	85.67	85.83	99338	9.53	12.70	93.67	35.81
87.33	87.25	87.41	99339	19.84	23.01	97.64	35.71
88.39	88.31	88.47	99340	19.84	23.01	97.41	35.71
88.98	88.82	88.98	99346	15.88	20.65	97.64	34.21
89.00	88.90	89.05	99852 *	20.65	25.40	97.64	34.21
89.00	88.90	89.06	99347	7.95	12.70	97.16	34.21
89.00	88.92	89.08	99349	15.88	20.65	97.64	34.24
89.00	88.90	89.06	99350	20.65	25.40	97.64	34.21
90.00	89.91	90.07	99351	18.03	23.01	101.60	46.05
90.00	89.91	90.07	99352	11.13	13.67	101.60	46.05
90.00	89.91	90.07	99353	13.36	16.94	101.60	44.45
90.00	89.91	90.07	99354	23.01	27.99	101.60	44.45
90.50	90.42	90.58	99356	20.65	25.40	99.06	44.45
92.00	91.89	92.05	99360	20.65	25.40	102.39	44.45
92.10	92.02	92.18	99362	20.65	25.40	102.39	44.45
92.10	92.02	92.18	99363	12.70	15.87	102.24	44.45
93.65	93.57	93.73	99368	7.95	11.13	102.39	22.23
93.68	93.60	93.76	99365	20.65	23.83	102.24	45.72
94.74	94.66	94.82	99359	11.91	15.09	102.01	45.72
94.74	94.66	94.82	99366	19.84	23.01	102.24	45.72
95.00	94.99	95.15	99364	11.91	15.09	102.49	45.72

* Indicates Speedi-Sleeve Gold product

SPEEDI-SLEEVE size listing - Metric

Nominal shaft diameter	"A" Shaft diameter range		Stock number	"X"	"Y"	"D"	"Z"
	Minimum MM	Maximum MM		Width on shaft ±0.8 MM	Overall width ±0.8 MM	Flange diameter ±1.6 MM	Installation depth MM
95.00	94.92	95.08	99369	21.01	24.00	102.24	45.72
95.00	94.99	95.15	99374	8.74	12.70	102.39	45.72
95.22	95.14	95.30	99376	14.30	17.48	102.24	45.72
95.25	95.25	95.40	99853 *	17.48	22.23	102.11	45.72
95.33	95.25	95.41	99367	8.74	12.70	102.24	45.72
95.33	95.25	95.41	99372	17.48	22.23	102.11	45.72
98.32	98.24	98.40	99386	20.65	25.40	106.30	47.63
98.45	98.37	98.53	99387	20.65	25.40	107.16	47.63
100.00	99.95	100.10	99854 *	20.65	25.40	109.55	52.07
100.00	99.95	100.11	99393	20.65	25.40	109.55	52.07
101.60	101.55	101.75	99855 *	20.65	25.40	111.13	52.07
101.65	101.55	101.75	99395	15.24	18.42	111.13	52.07
101.65	101.55	101.75	99399	20.65	25.40	111.13	52.07
101.65	101.55	101.75	99400	16.51	19.69	111.13	34.93
101.65	101.55	101.75	99401	12.70	15.88	111.13	52.48
104.00	103.89	104.09	99409	19.99	24.00	112.72	35.99
104.80	104.70	104.90	99412	20.65	25.40	113.54	34.93
105.00	104.90	105.10	99413	19.99	23.19	113.54	35.00
106.35	106.25	106.45	99418	20.65	25.40	114.30	34.93
107.44	107.34	107.54	99423	19.84	23.01	117.09	36.53
108.00	107.90	108.10	99424	20.65	25.40	117.09	36.53
110.00	109.78	110.00	99434	11.38	14.96	124.99	32.94
110.00	109.91	110.11	99435	12.93	16.51	124.99	31.75
111.10	111.00	111.20	99437	20.65	25.40	120.65	41.91
112.00	111.78	112.00	99438	19.05	22.50	120.70	33.02
112.72	112.63	112.83	99439	25.40	29.01	122.25	33.35
114.30	114.20	114.40	99856 *	20.65	25.40	124.46	31.75
114.30	114.20	114.40	99450	20.65	25.40	123.19	31.75
115.00	114.89	115.09	99452	20.65	23.83	127.00	31.75
117.48	117.38	117.58	99463	25.40	31.75	128.60	34.93
117.48	117.38	117.58	99465	11.13	15.88	127.00	34.93
119.00	119.00	119.20	99468	20.65	25.40	128.60	34.93
120.00	119.89	120.09	99471	8.00	11.00	129.79	33.60
120.00	119.89	120.09	99473	19.99	24.99	129.79	32.00
120.65	120.55	120.75	99475	12.70	19.05	127.00	38.10
122.00	121.90	122.10	99472	19.99	24.00	131.49	32.00
123.83	123.73	123.93	99487	15.88	19.05	133.35	36.53
125.00	124.90	125.10	99490	10.00	14.00	137.16	36.53
125.00	124.89	125.09	99492	26.01	32.00	137.16	36.53
127.00	126.95	127.15	99857 *	17.48	22.23	137.16	36.53
127.00	126.95	127.15	99858 *	20.65	25.40	139.91	36.53
127.00	126.95	127.15	99498	17.48	22.23	137.16	36.50
127.00	126.95	127.15	99499	20.65	25.40	136.91	36.53
127.00	126.95	127.15	99501	13.72	17.30	137.16	36.53
130.00	129.97	130.17	99491	22.00	25.30	139.52	32.51
130.00	129.80	130.00	99494	19.05	23.83	139.52	30.00
130.15	130.05	130.25	99513	20.65	25.40	139.70	31.75
133.35	133.25	133.45	99525	20.65	25.40	141.22	31.75
135.00	134.80	135.00	99533	20.50	25.40	145.67	31.75
136.53	136.43	136.63	99537	20.65	25.40	149.23	31.75
138.13	138.03	138.23	99548	38.10	42.88	146.05	47.63

* Indicates Speedi-Sleeve Gold product

SPEEDI-SLEEVE size listing - Metric

Nominal shaft diameter	"A" Shaft diameter range		Stock number	"X" Width on shaft ±0.8 MM	"Y" Overall width ±0.8 MM	"D" Flange diameter ±1.6 MM	"Z" Installation depth MM
	Minimum MM	Maximum MM					
139.00	138.99	139.19	99547	14.30	19.05	149.86	31.34
139.70	139.65	139.85	99859 *	20.65	25.40	150.82	31.75
139.75	139.65	139.85	99549	20.65	25.40	150.83	31.75
139.75	139.65	139.85	99550	13.16	17.91	150.83	31.75
140.00	139.90	140.11	99552	20.50	25.40	151.00	31.75
142.88	142.77	142.98	99560	22.23	25.40	157.18	46.02
145.00	144.75	145.00	99571	19.05	22.23	154.94	46.02
145.54	145.44	145.64	99562	14.30	19.05	154.94	49.23
146.05	145.95	146.15	99575	20.65	25.40	156.97	44.45
149.23	149.12	149.33	99862 *	25.40	31.75	157.18	33.35
149.23	149.13	149.33	99587	25.40	31.75	157.18	33.35
150.00	149.75	150.00	99595	26.01	30.00	159.00	32.51
150.83	150.73	150.93	99596	25.40	28.58	161.93	47.63
152.37	152.27	152.47	99599	25.40	31.75	161.93	44.45
152.37	152.27	152.47	99601	12.70	19.05	161.54	44.45
154.00	153.87	154.13	99605	26.01	30.00	161.93	32.99
155.00	154.75	155.00	99606	26.01	30.00	167.01	32.99
157.56	157.43	157.69	99620	20.65	27.00	168.28	44.45
158.75	158.62	158.88	99625	26.19	31.75	168.28	44.45
160.00	159.74	160.00	99630	25.40	31.75	171.45	34.93
165.10	164.97	165.23	99650	25.40	31.75	177.80	34.93
170.00	169.75	170.01	99640	31.75	38.00	182.57	44.45
171.45	171.32	171.58	99675	20.65	27.00	180.98	44.45
175.00	174.75	175.01	99687	27.99	32.00	187.00	35.00
177.80	177.67	177.93	99864 *	25.40	31.75	189.87	42.88
177.80	177.67	177.93	99700	25.40	31.75	189.87	42.88
180.00	179.75	180.01	99721	32.99	38.00	190.50	44.50
184.00	183.99	184.25	99725	31.75	38.10	197.10	55.25
185.00	184.75	185.00	99726	32.00	38.00	197.10	54.99
189.20	189.07	189.33	99745	20.65	25.40	199.64	31.75
190.50	190.37	190.63	99750	20.65	25.40	200.03	31.75
196.85	196.72	196.98	99775	25.40	33.35	210.06	47.63
200.00	199.87	200.13	99787	34.52	38.10	212.73	44.45
201.63	201.50	201.76	99799	25.40	31.75	212.73	44.45
203.20	203.07	203.33	99800	25.40	31.75	212.73	44.45

* Indicates Speedi-Sleeve Gold product

ATA-Vehicle maintenance reporting standards

Listed below are American Trucking Association (ATA)—Vehicle Maintenance Reporting Standards versus SKF seal, bearing, hubcap, gasket and miscellaneous part descriptions. The ATA manufacturer code for SKF is SKFIN

Front axle

18-001-001	Bearing Assembly-Inner
18-001-002	Bearing Assembly-Outer
18-001-004	Seal
18-001-012	Bearing-Cone
18-001-013	Bearing Spacer
18-001-014	Bearing Spacer-O-Ring
18-001-015	Ring (Sleeve)
18-001-016	Bearing-Cup
18-001-017	Bearing-Cone, Inner
18-001-018	Bearing-Cup, Inner
18-001-019	Bearing-Cone, Outer
18-001-020	Bearing-Cup, Outer
18-001-025	Seal Set-Front Axle

Drive axle (rear)

18-002-005	Seal-Inner
18-002-006	Seal-Outer
18-002-008	Bearing-Inner
18-002-009	Bearing-Outer
18-002-011	Seal-Axle Shaft
18-002-013	Bearing-Cone
18-002-014	Ring (Sleeve)
18-002-016	Bearing-Cup
18-002-017	Bearing-Cone, Inner
18-002-018	Bearing-Cup, Inner
18-002-019	Bearing-Cone, Outer
18-002-020	Bearing-Cup, Outer
18-002-028	Seal-Kit

Axles driven-front steering

21-001-005	Bearing
21-001-006	Seal-Oil, Pinion
21-001-013	Bearing, Differential Side
21-001-125	Seal-Oil, Front Axle Shaft
21-001-030	Seal-Front Axle, Ball End

Axles driven-rear

22-003-027	Bearing-Differential Side
22-003-028	Bearing-Drive Pinion, Front
22-023-029	Bearing-Drive Pinion, Rear
22-003-030	Bearing-Drive Pinion, Shaft Tail
22-003-032	Seal-Rear Bearing, Oil, Drive Pinion Shaft
22-023-0333	Seal-Front Bearing, Oil, Drive Pinion Shaft
22-003-034	Bearing-Pinion Shaft, Double Reduction
22-003-035	Bearing-Idler Planetary Pinion
22-004-005	Seal-Oil, Power Divider
22-004-012	Seal-Drive Shaft Cap, Oil
22-004-013	Seal-Driven Shaft Cap, Oil
22-004-027	Cone-Output Shaft, Bearing, Inner
22-004-028	Cup-Output Shaft, Bearing, Inner
22-004-029	Bearing and Sleeve-Output Shaft, Rear
22-004-030	Seal-Oil, Output Shaft, Rear
22-004-019	Bearing-Power Divider
22-005-006	Seal-Double Reduction Shifter

Transfer case

25-001-002	Seal-Oil, Transfer Case
25-001-002	Seal-Input Shaft
25-001-008	Bearing-Input Shaft
25-001-012	Bearing-Intermediate Shaft
25-001-016	Bearing-Front Outer Shaft
25-001-020	Bearing-Rear Output Shaft

Transmission-main, standard

26-001-043	Kit-Repair, Transmission
26-001-039	Seal-Input Shaft
26-002-008	Bearing Assembly-Counter Gear, Front
26-002-009	Bearing Assembly-Counter Gear, Rear
26-002-031	Cup-Bearing, Countershaft
26-002-3-	Cone-Bearing, Countershaft
26-003-001	Bearing Assembly - Transmission Front, Main
26-003-002	Bearing-Mainshaft Pilot
26-003-003	Bearing Pilot, Rear
26-003-004	Bearing Assembly - Rear Main (Rear of Transmission Case)
26-003-006	Bearing-Mainshaft Clutch Gear and Synchronizer Collar
26-003-007	Bearing-Mainshaft Clutch Gear

(continued on next page)

ATA-Vehicle maintenance reporting standards

Transmission-main, standard—cont.

26-003-008	Bearing-Mainshaft 2nd Gear
26-003-009	Bearing-Mainshaft 3rd Gear
26-005-012	Seal-Shaft, Input
26-005-014	Cone-Bearing, Main Drive Gear
26-005-015	Cup-Bearing, Main Drive Gear
26-006-003	Seal-Oil, Rear
26-006-051	Bearing-Needle Roller, Mainshaft, 2nd Gear
26-006-022	Seal-Oil, Rear Main Bearing Retainer
26-005-055	Bearing-Needle Assembly, 1st and Reverse Gear
26-007-008	Bearing-High Range, Countershaft
26-008-066	Low Range, Countershaft
26-010-036	Seal-Oil, Shifter Shaft

Transmission-main, automatic

27-001-002	Seal-Dip Stick
27-002-012	Seal-Oil, Converter
27-002-019	Bearing-Input Power Take Off Gear
27-002-028	Bearing-Converter, Transfer Reduction
27-005-004	Seal-Oil, High Range
27-006-018	Bearing-Forward Planetary Needle
27-013-004	Bearing Assembly-Needle Thrust
27-014-009	Bearing-Needle Roller
27-015-007	Bearing-Needle Roller
27-016-002	Bearing-First Range, Planetary Needle
27-018-005	Bearing-Reverse Range Planetary Needle
27-002-004	Seal-Cover
27-029-003	Oil Seal Assembly-Front Pump
27-030-003	Seal-Rear Pump
27-031-004	Seal-Oil, Extension To Case
27-031-005	Seal-Rear
27-033-006	Seal-Oil, Range Selector or Manual Shaft

Transmission-auxiliary

28-002-006	Seal-Shift Rail
28-003-003	Bearings-Main Drive Gear
28-003-004	Cup-Main Drive Gear
28-003-005	Cone-Main Drive Gear
28-003-006	Seal-Main Drive Gear
28-004-003	Bearing-Mainshaft
28-004-007	Seal-Mainshaft Rear Bearing
28-005-003	Bearing-Countershaft
28-005-006	Cup-Countershaft Bearing
28-005-007	Cone-Countershaft Bearing

Heavy duty differential axle identification

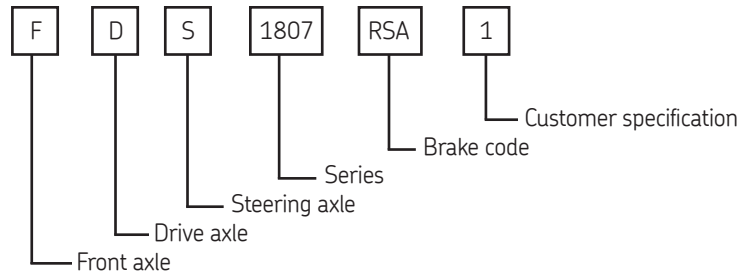
Current design front and rear axles can be identified by an alphabetical, numerical or alpha/numeric axle code. The various letters and numbers indicate the size (capacity), type (model), brake system and various modifications.

To identify your axle model:

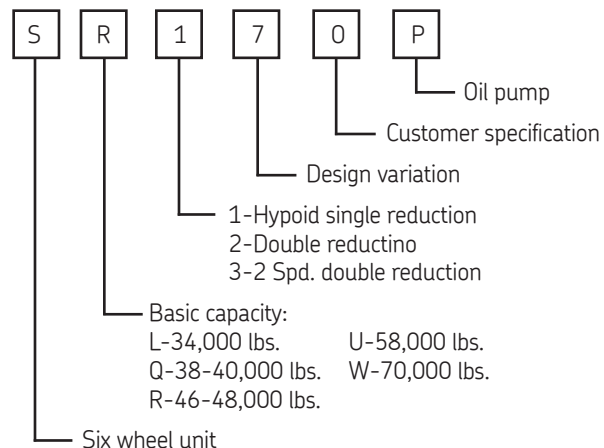
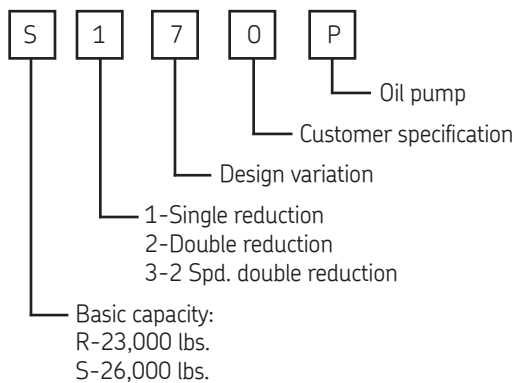
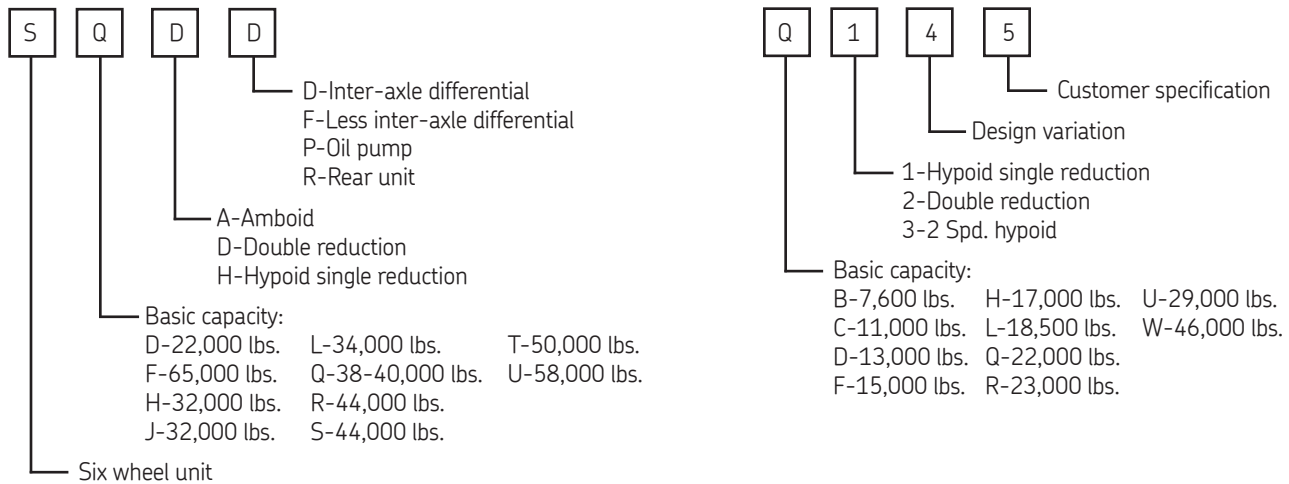
1. Refer to the I.D. tag fixed to the axle beam (housing) or the axle carrier.
2. Refer to the stamping located on the rear of the axle beam (housing) or the axle carrier.
3. Refer to the truck Bill of Material, Broadcast Sheet, Certification Label, Line Ticket, Service Parts I.D. Tag, Specification List or Vehicle Data Plate. This type of identification is located inside the cab or attached to the cab door. This data represents only the equipment on the vehicle when it was shipped from the factory.

Model no.	
Customer no.	
Serial no.	Plant
Ratio	Date

Rockwell-Standard axle identification (Front axle)

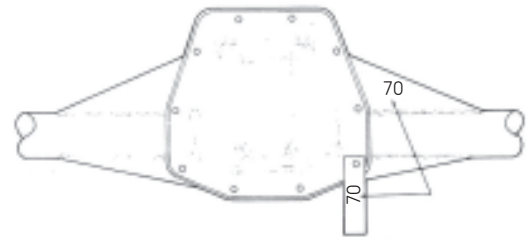
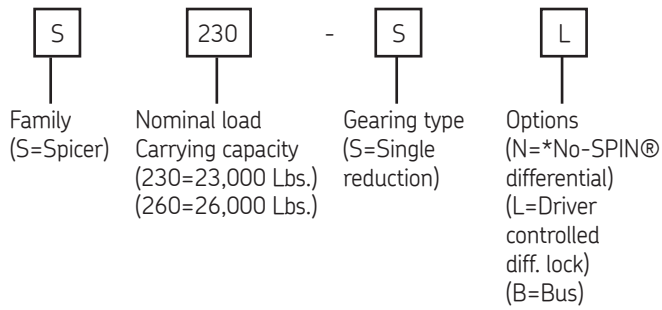


Rockwell-Standard axle identification (Drive axle)



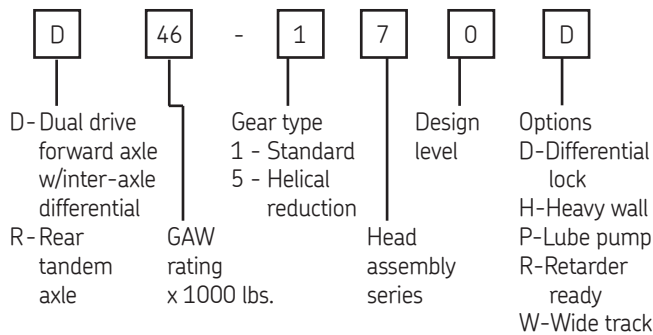
Heavy duty differential axle identification

Dana axle identification

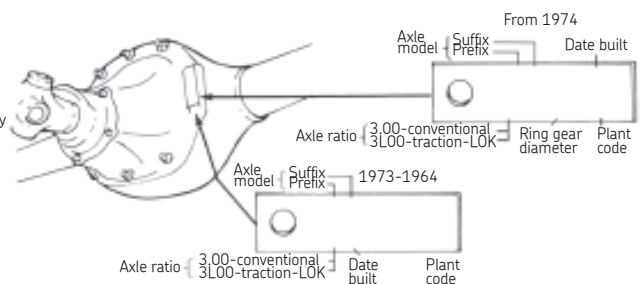
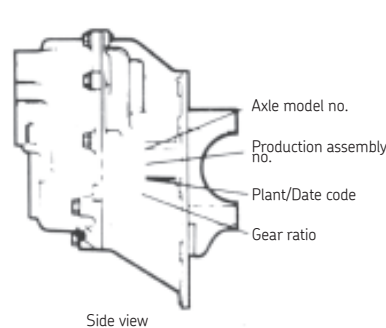
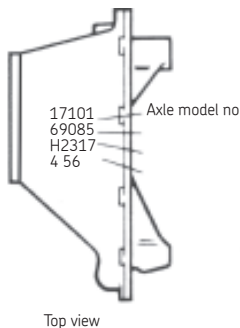
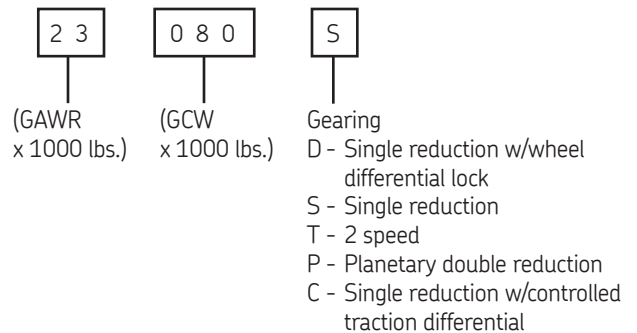
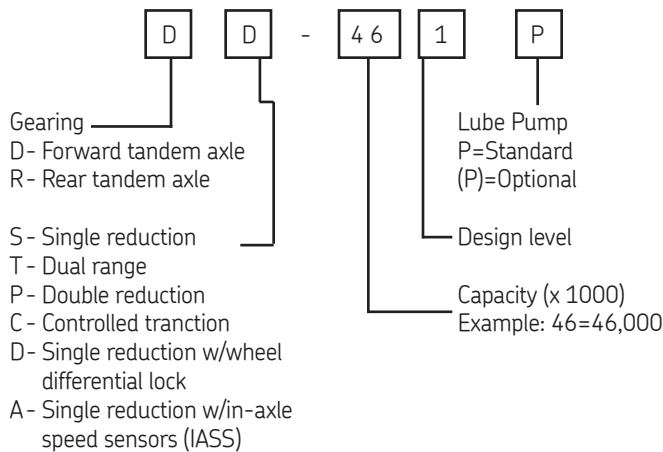


Spicer (DANA)

Light duty Spicer axles are identified with a model number. The model number is cast on the bottom right hand side of the housing. Heavy duty Spicer axles have two ID tags. One is mounted on the right side of the differential carrier and one is on the right rear leg of the housing. Those tags indicate the axle model, ratio, carrier assembly number, axle serial number and assembly number.

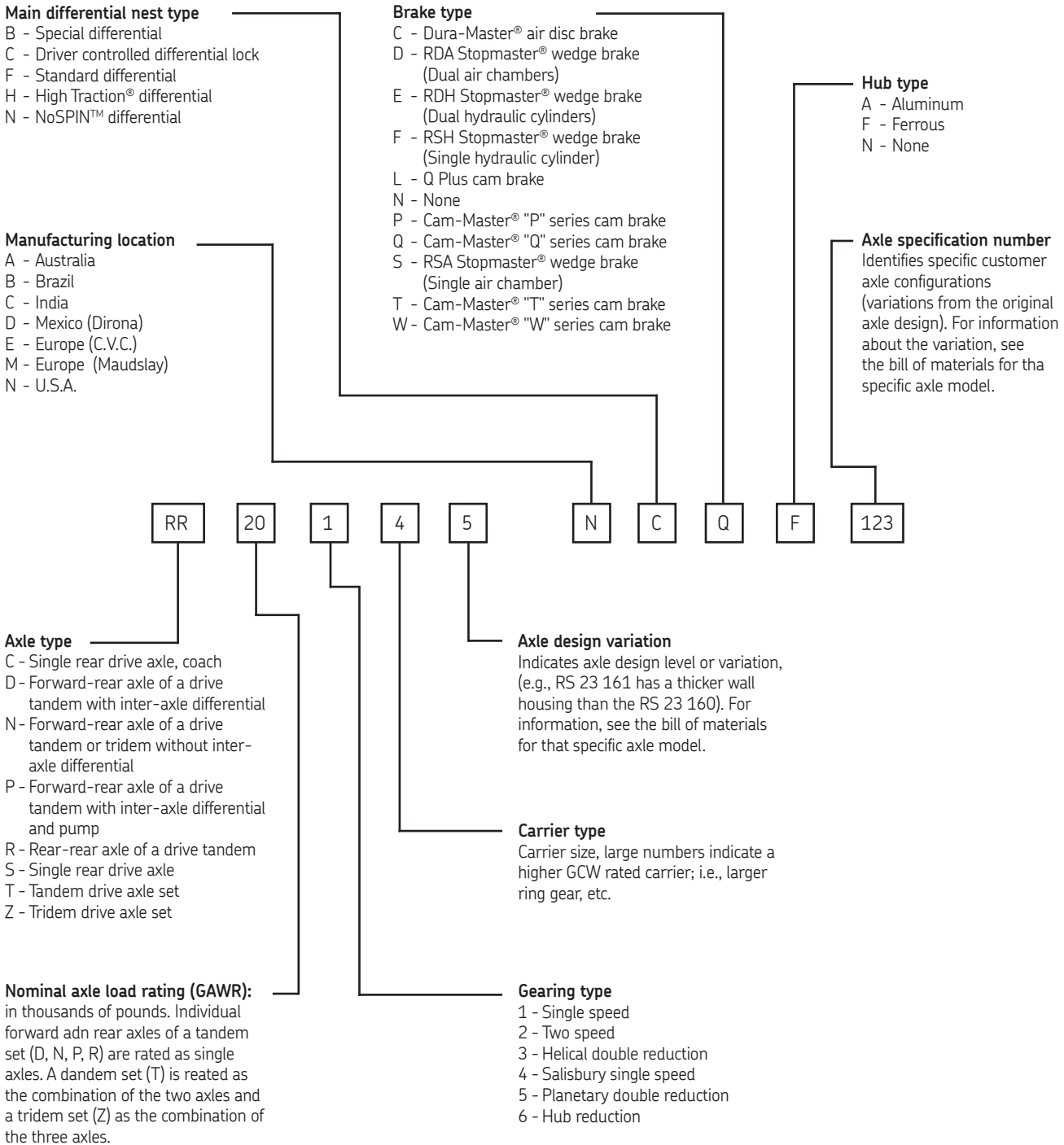


Eaton axle identification

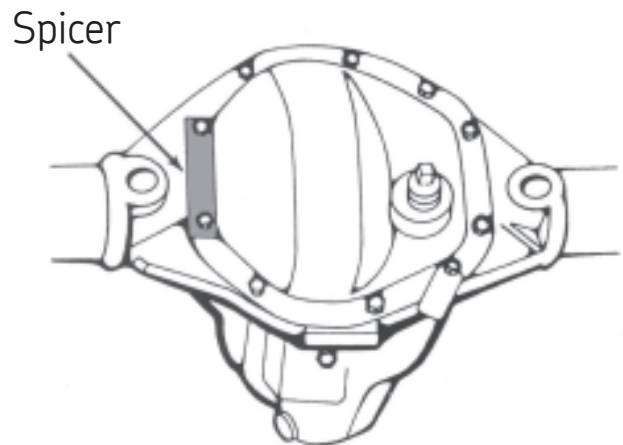
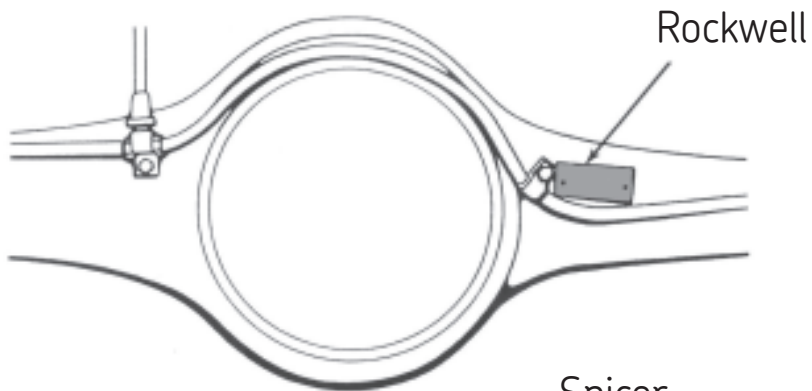
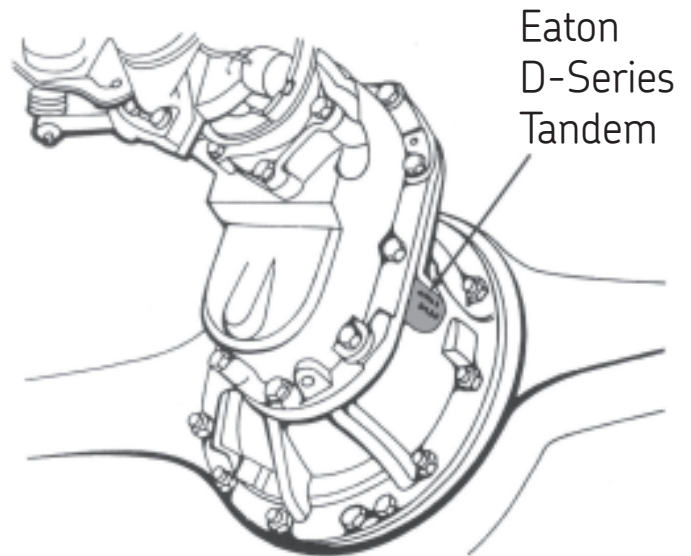
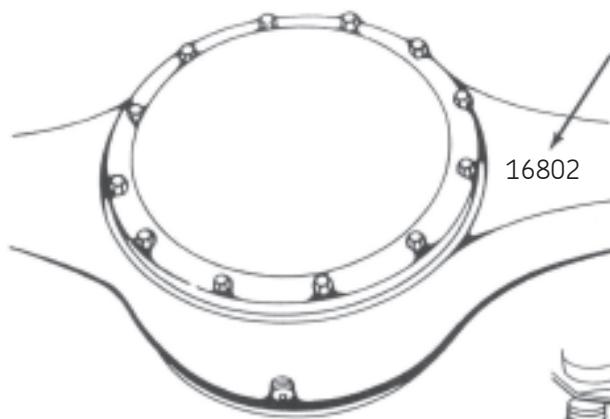


Heavy duty differential axle identification

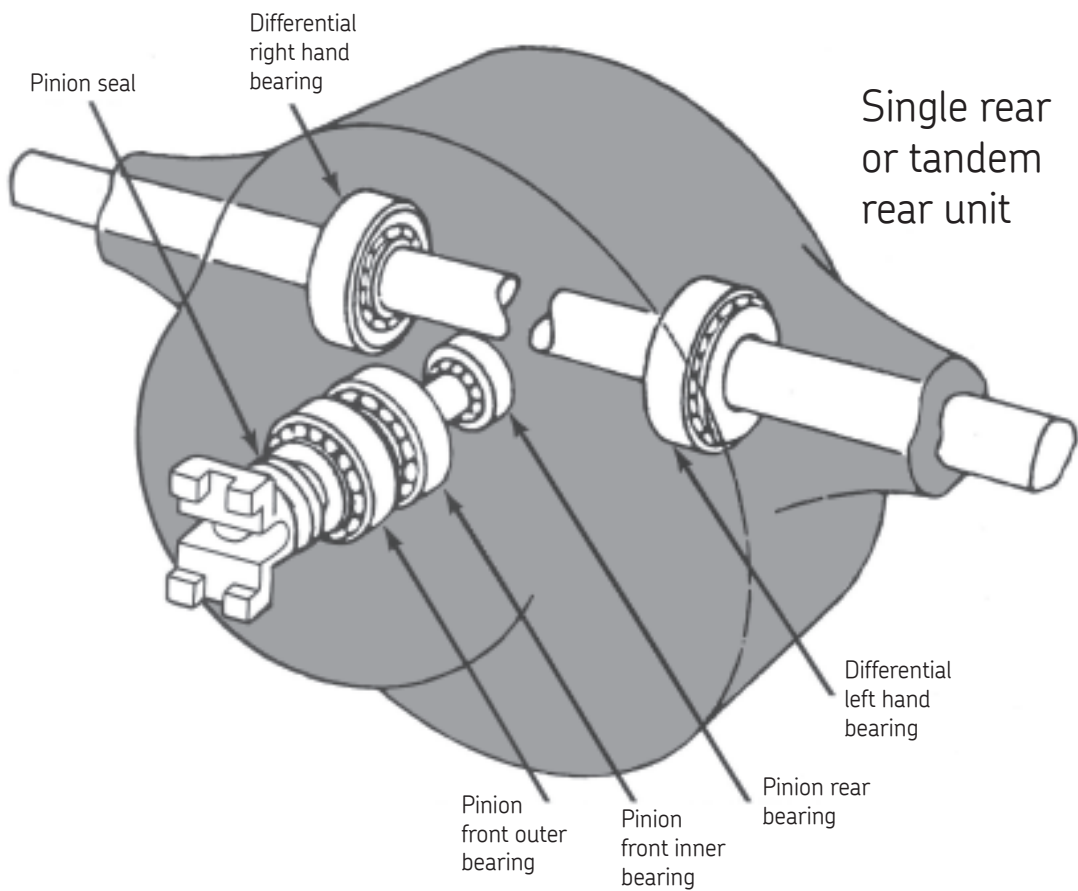
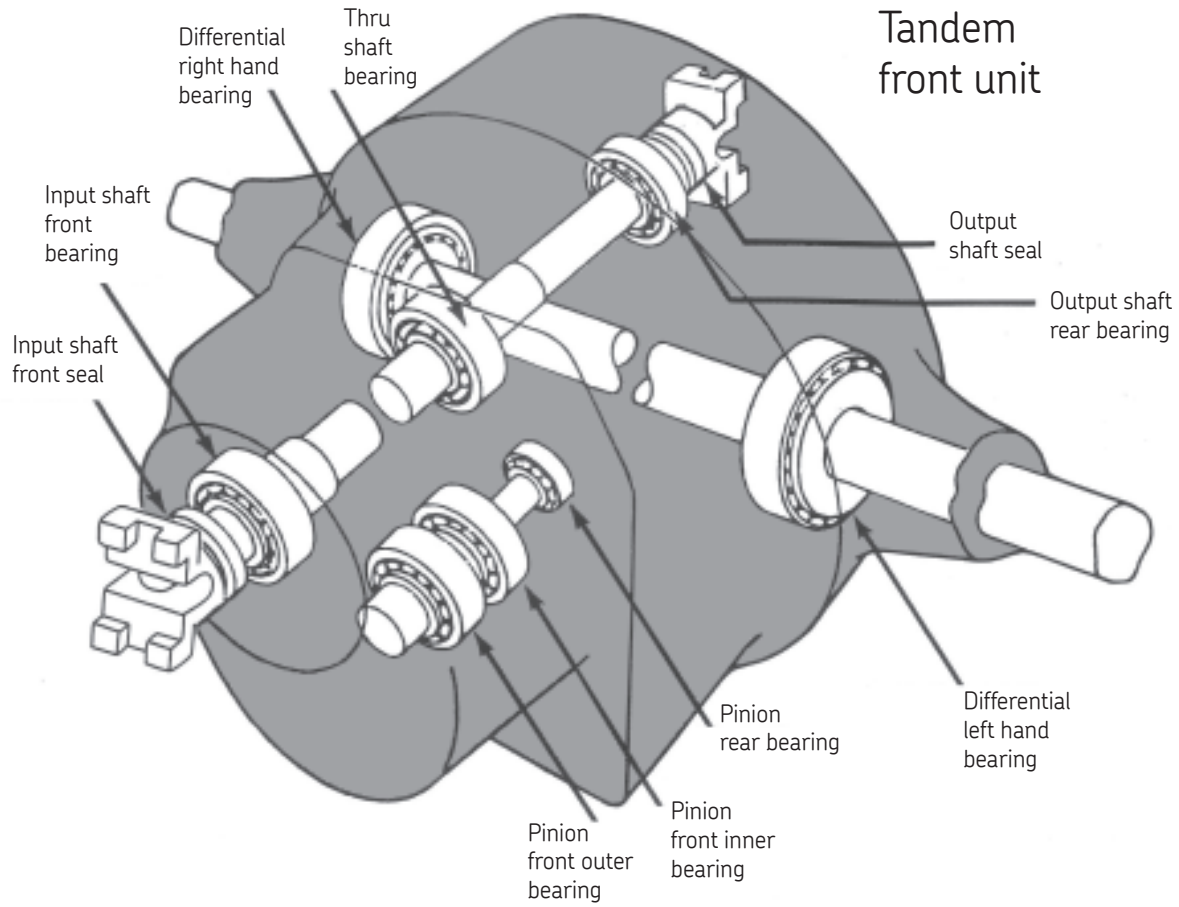
Meritor/Rockwell axle identification



Heavy duty differential axle identification



Heavy duty differential axle identification



Heavy duty differential index

Axle model	Type/ Capacity	Message	SKF kit
------------	-------------------	---------	---------

Dana model index

Front axle

G340-S	F-34,000		SDK192-FB
J340-S	F-34,000		SDK200-FA
N340-S	F-34,000		SDK223-F
G380-S	F-38,000		SDK192-FB
J380-S	F-38,000		SDK200-FA
J400-S	F-40,000		SDK200-FA
N400-I	F-40,000		SDK223-F
W440-S	F-44,000		SDK201-FA
W460-S	F-46,000		SDK201-FA

Rear axle

J175-S	R-17,500		SDK192-RB
N175	R-17,500		SDK223-R
M185-D	R-18,500		SDK214
M185-T	R-18,500		SDK214
J190-S	R-19,000		SDK192-RB
M190-T	R-19,000		SDK214
N190	R-19,000		SDK223-R
M200-D	R-20,000		SDK214
M200-T	R-20,000		SDK214
J210-S	R-21,000		SDK192-RB
M210-T	R-21,000		SDK214
J220-S	R-22,000		SDK192-RB
M220-D	R-22,000		SDK214
M220-T	R-22,000		SDK214
J230-S	R-23,000		SDK192-RB
J230-SB	R-23,000		SDK192-RB
M230-T	R-23,000		SDK214
W230-S	R-23,000		SDK201-R
J340-S	R-34,000		SDK192-RB
N340-S	R-34,000		SDK223-R
J380-S	R-38,000		SDK192-RB
J400-S	R-40,000		SDK192-RB
N400-I	R-40,000		SDK223-R
W440-S	R-44,000		SDK201-R
W460-S	R-46,000		SDK201-R

Eaton model index

Front axle

34D3	F-34,000	w/ Taper Brg. On Input Shaft	SDK64-FE
34DP	F-34,000	w/ Taper Brg. On Input Shaft	SDK64-FE
34DS	F-34,000	w/ Ribbed Carrier & Taper Brg. On Input Shaft	SDK64-FE
		w/ Conical Carrier & Taper Brg. On Input Shaft	SDK64-FD
34DT	F-34,000	w/ Taper Brg. On Input Shaft	SDK64-FE
38D3	F-38,000	w/ Taper Brg. On Input Shaft	SDK64-FE
38DP	F-38,000	w/ Taper Brg. On Input Shaft	SDK64-FE
38DS	F-38,000	w/ Ribbed Carrier & Taper Brg. On Input Shaft	SDK64-FE
		w/ Conical Carrier & Taper Brg. On Input Shaft	SDK64-FD
38DT	F-38,000	w/ Taper Brg. On Input Shaft	SDK64-FE
DST40(P)	F-40,000		SDK404-F
DST41(P)	F-41,000		SDK404-F

Axle model	Type/ Capacity	Message	SKF kit
------------	-------------------	---------	---------

Eaton model index-cont.

Front axle-cont.

42D3	F-42,000	w/ Taper Brg. On Input Shaft	SDK64-FE
42DP	F-42,000	w/ Taper Brg. On Input Shaft	SDK64-FE
42DT	F-42,000	w/ Taper Brg. On Input Shaft	SDK64-FE
DC341(P)	F-34,000		SDK207
DP341(P)	F-34,000		SDK207
DS341(P)	F-34,000	Before 4-6-89	SDK196
		4-6-89 thru 12-31-94	SDK222-F
		After 1-1-95	SDK196
DT341(P)	F-34,000		SDK207
DA344	F-34,000		SDK404-F
DS344	F-34,000		SDK404-F
DC381(P)	F-38,000		SDK207
DP381(P)	F-38,000		SDK207
DS381(P)	F-38,000		SDK196
DT381(P)	F-38,000		SDK207
DS385	F-38,000		SDK1
DC401-P	F-40,000		SDK207
DP401(P)	F-40,000		SDK207
DS401-P	F-40,000		SDK196
DT401(P)	F-40,000		SDK207
DA402(P)	F-40,000	4-6-89 thru 12-31-94	SDK222-F
		After 1-1-95	SDK196
DC402(P)	F-40,000		SDK207
DP402(P)	F-40,000		SDK207
DS402(P)	F-40,000	Before 4-6-89	SDK196
		4-6-89 thru 12-31-94	SDK222-F
		After 1-1-95	SDK196
DT402(P)	F-40,000		SDK207
DS403(P)	F-40,000	Before 4-6-89	SDK196
		4-6-89 thru 12-31-94	SDK222-F
		After 1-1-95	SDK196
DA404(P)	F-40,000		SDK404-F
DS404(P)	F-40,000		SDK404-F
DA405(P)	F-40,000		SDK404-F
DS405(P)	F-40,000		SDK404-F
DP440-P	F-44,000	36 Spline & Case # 110500	SDK210
DS440-P	F-44,000	36 Spline & Case # 110500	SDK208
DT440-P	F-44,000	36 Spline & Case # 110500	SDK210
DC451-P	F-45,000		SDK207
DP451-P	F-45,000		SDK207
DS451-P	F-45,000	Before 4-6-89	SDK196
		4-6-89 thru 12-31-94	SDK222-F
		After 1-1-95	SDK196
DT451-P	F-45,000		SDK207
DA454(P)	F-45,000		SDK404-F
DS454(P)	F-45,000		SDK404-F
DC460-P	F-46,000		SDK211-F
DP460-P	F-46,000	36 Spline & Case # 110500	SDK210
DS460-P	F-46,000	36 Spline & Case # 110500	SDK208
DT460-P	F-46,000	36 Spline & Case # 110500	SDK210
DC461-P	F-46,000	Prior 2/2000	SDK211-F
DD461-P	F-46,000	Prior 2/2000	SDK211-F
DP461-P	F-46,000	Prior 2/2000	SDK211-F
DS461-P	F-46,000	Prior 2/2000	SDK208

Heavy duty differential index

Axle model	Type/ Capacity	Message	SKF kit
------------	-------------------	---------	---------

Eaton model index-cont.

Front axle-cont.

DT461-P	F-46,000	Prior 2/2000	SDK211-F
DC462-P	F-46,000	Prior 2/2000	SDK211-F
DD462-P	F-46,000	Prior 2/2000	SDK211-F
DP462-P	F-46,000	Prior 2/2000	SDK211-F
DS462-P	F-46,000	Prior 2/2000	SDK208

DT462-P	F-46,000	Prior 2/2000	SDK211-F
DC463-P	F-46,000	Prior 2/2000	SDK211-F
DD463-P	F-46,000	Prior 2/2000	SDK211-F
DP463-P	F-46,000	Prior 2/2000	SDK211-F
DS463-P	F-46,000	Prior 2/2000	SDK208

DT463-P	F-46,000	Prior 2/2000	SDK211-F
DC480-P	F-48,000		SDK211-F
DP480-P	F-48,000	36 Spline & Case # 110500	SDK210
DS480-P	F-48,000	36 Spline & Case # 110500	SDK208
DT480-P	F-48,000	36 Spline & Case # 110500	SDK210

DP485-P	F-48,000		SDK211-F
DT485-P	F-48,000		SDK211-F
DC521-P	F-52,000	Prior 2/2000	SDK211-F
DD521-P	F-52,000	Prior 2/2000	SDK211-F
DP521-P	F-52,000	Prior 2/2000	SDK211-F

DS521-P	F-52,000	Prior 2/2000	SDK208
DT521-P	F-52,000	Prior 2/2000	SDK211-F
DP550	F-55,000	36 Spline & Case # 110500	SDK211-F
DP580-P	F-58,000	36 Spline & Case # 110500	SDK211-F
DT580-P	F-58,000	36 Spline & Case # 110500	SDK211-F

DD581-P	F-58,000	Prior 2/2000	SDK211-F
DS581-P	F-58,000	Prior 2/2000	SDK208
DD601(P)	F-60,000	Prior 2/2000	SDK211-F
DP601-P	F-60,000	Prior 2/2000	SDK211-F
DS601(P)	F-60,000	Prior 2/2000	SDK208

DT601-P	F-60,000	Prior 2/2000	SDK211-F
DP650-P	F-65,000	36 Spline & Case # 110500	SDK211-F
DT650-P	F-65,000	36 Spline & Case # 110500	SDK211-F
DD651(P)	F-65,000	Prior 2/2000	SDK211-F
DP651-P	F-65,000	Prior 2/2000	SDK211-F

DS651-P	F-65,000	Prior 2/2000	SDK208
DT651-P	F-65,000	Prior 2/2000	SDK211-F
7500	F-		SDK202
9000	F-		SDK202
10000	F-		SDK202

12000	F-		SDK202
-------	----	--	--------

Rear axle

34R3	R-34,000		SDK1
34RP	R-34,000	w/ Ribbed Carrier	SDK1
		w/ Conical Carrier	SDK1-A
34RS	R-34,000	w/ Conical Carrier	SDK1-A
34RSB	R-34,000		SDK1-A
34RT	R-34,000		SDK1

38R3	R-38,000		SDK1
38RP	R-38,000	w/ Ribbed Carrier	SDK1
		w/ Conical Carrier	SDK1-A
38RS	R-38,000		SDK1-A
38RSB	R-38,000		SDK1-A
38RT	R-38,000		SDK1

Axle model	Type/ Capacity	Message	SKF kit
------------	-------------------	---------	---------

Eaton model index-cont.

Rear axle-cont.

RDS40	R-40,000		SDK219-R
42R3	R-42,000		SDK1
42RP	R-42,000		SDK1
42RT	R-42,000		SDK1
44RP	R-		SDK72-A

44RPB	R-44,000		SDK72-A
44RS	R-44,000	w/ Casting # C98493 / After 2-1-79	SDK219-R
44RSB	R-44,000	w/ Large Spherical Diff	SDK18-E
44RT	R-44,000	w/o 103537 Case	SDK72-A
44RTB	R-44,000		SDK72-A

50RP	R-50,000		SDK1
50RT	R-50,000		SDK1
RP340	R-34,000		SDK1
RS340	R-34,000	2-Speed Carrier / Bef 4-30-78	SDK1
		1-Speed Carrier / Aft 4-30-78	SDK1-A
RT340	R-34,000		SDK1

RC341	R-34,000		SDK1
RP341	R-34,000		SDK1
RS341	R-34,000	Before 4-6-89	SDK1-A
		4-6-89 thru 12-31-94	SDK222-R
RT341	R-34,000		SDK1
RA344	R-34,000		SDK404-R

RS344	R-34,000		SDK404-R
RP380(P)	R-38,000		SDK1
RS380	R-38,000	2-Speed Carrier / Bef 4-30-78	SDK1
		1-Speed Carrier / Aft 4-30-78	SDK1-A
RT380(P)	R-38,000		SDK1
RC381	R-38,000		SDK1

RP381(P)	R-38,000		SDK1
RS381	R-38,000		SDK1-A
RT381(P)	R-38,000		SDK1
RC386	R-38,000		SDK1
RP386-P	R-38,000		SDK1

RS386	R-38,000		SDK1-A
RT386-P	R-38,000		SDK1
RP400(P)	R-40,000		SDK1
RS400	R-40,000	2-Speed Carrier / Bef 4-30-78	SDK1
		1-Speed Carrier / Aft 4-30-78	SDK1-A
RT400(P)	R-40,000		SDK1

RC401	R-40,000		SDK1
RP401(P)	R-40,000		SDK1
RS401	R-40,000		SDK1-A
RT401(P)	R-40,000		SDK1
RA402	R-40,000	4-6-89 thru 12-31-94	SDK222-R

RC402	R-40,000		SDK1
RP402(P)	R-40,000		SDK1
RS402	R-40,000	Before 4-6-89	SDK1-A
		4-6-89 thru 12-31-94	SDK222-R
RT402(P)	R-40,000		SDK1
RS403	R-40,000	Before 4-6-89	SDK1-A
		4-6-89 thru 12-31-94	SDK222-R

Heavy duty differential index

Axle model	Type/ Capacity	Message	SKF kit
------------	-------------------	---------	---------

Eaton model index-cont.

Rear axle-cont.

RA404	R-40,000		SDK404-R
RS404	R-40,000		SDK404-R
RA405	R-40,000		SDK404-R
RS405	R-40,000		SDK404-R
RC406	R-40,000		SDK1
RP406-P	R-40,000		SDK1
RS406	R-40,000		SDK1-A
RT406-P	R-40,000		SDK1
RS440	R-44,000		SDK18-E
RS446	R-44,000	w/o Traction Control	SDK18-E
RC451	R-45,000		SDK1
RP451-P	R-45,000		SDK1
RS451	R-45,000	Before 4-6-89	SDK1-A
		4-6-89 thru 12-31-94	SDK222-R
RT451-P	R-45,000		SDK1
RA454	R-45,000		SDK404-R
RS454	R-45,000		SDK404-R
RC460	R-46,000		SDK219-R
RS460	R-46,000		SDK18-E
RC461	R-46,000		SDK219-R
RD461	R-46,000		SDK219-R
RP461	R-46,000		SDK219-R
RT461	R-46,000		SDK219-R
RC462	R-46,000		SDK219-R
RD462	R-46,000		SDK219-R
RP462	R-46,000		SDK219-R
RT462	R-46,000		SDK219-R
RC463	R-46,000		SDK219-R
RD463	R-46,000		SDK219-R
RP463	R-46,000		SDK219-R
RT463	R-46,000		SDK219-R
RS466	R-46,000	w/o Traction Control	SDK18-E
RC480	R-48,000		SDK219-R
RS480	R-48,000		SDK18-E
RC521	R-52,000		SDK219-R
RD521	R-52,000		SDK219-R
RP521	R-52,000		SDK219-R
RT521	R-52,000		SDK219-R
RP580	R-58,000		SDK219-R
RS580	R-58,000	w/ Traction Control	SDK219-R
RT580	R-58,000		SDK219-R
RD581	R-58,000		SDK219-R
RC601	R-60,000		SDK219-R
RP601	R-60,000		SDK219-R
RT601	R-60,000		SDK219-R
RP650	R-65,000		SDK219-R
RS650	R-65,000	w/ Traction Control	SDK219-R
RT650	R-65,000		SDK219-R
RC651	R-65,000		SDK219-R
RP651	R-65,000		SDK219-R
RT651	R-65,000		SDK219-R

Axle model	Type/ Capacity	Message	SKF kit
------------	-------------------	---------	---------

Eaton model index-cont.

Rear axle-cont.

RC3416	R-34,000		SDK1
RP3416-P	R-34,000		SDK1
RS3416	R-34,000		SDK1-A
RT3416-P	R-34,000		SDK1
RC4026	R-40,000		SDK1
RP4026-P	R-40,000		SDK1
RS4026	R-40,000		SDK1-A
RT4026-P	R-40,000		SDK1
RP4616-P	R-46,000		SDK219-R
RT4616-P	R-46,000		SDK219-R
RP5216-P	R-52,000		SDK219-R
RT5216-P	R-52,000		SDK219-R
RP6016-P	R-60,000		SDK219-R
RT6016-P	R-60,000		SDK219-R
RP6516-P	R-65,000		SDK219-R
RT6516-P	R-65,000		SDK219-R
350	R-		SDK24
502	R-		SDK72
503	R-		SDK72
1350	R-10-15K	Exc. Dodge 1957-1958	SDK24
1880	R-19-22K		SDK1
1881	R-19-22K		SDK1
3800	R-15,000		SDK24
3802	R-15,000		SDK24
7800	R-18,000		SDK1
7801	R-18,000		SDK1
7810	R-18,000		SDK1
8800	R-22,000		SDK1
8802	R-22,000		SDK1
8803	R-22,000		SDK1
9502	R-23,000		SDK72
9503	R-23,000		SDK72
9512	R-23,000		SDK72
13800	R-13,000		SDK24
13802	R-13,000		SDK24
13803	R-13,000		SDK24
15040-P	R-15,000		SDK24
15040-T	R-15,000		SDK24
15101	R-15,000		SDK24
15200	R-15,000		SDK24
15201	R-15,000		SDK24
15300	R-15,000		SDK24
15301	R-15,000		SDK24
16120	R-16,000		SDK23-D
16123	R-16,000		SDK23-D
16220	R-16,000	w/ 15-1/2" Ring Gear	SDK23-D
16244	R-16,000		SDK23-D
16247	R-17,500		SDK23-D
16344	R-16,000		SDK23-D
17060-S	R-17,000		SDK404-R
17100	R-17,000		SDK1-A
17101	R-17,000		SDK1-A
17120	R-17,000		SDK1-A
17121	R-17,000		SDK1-A
17123	R-17,000		SDK1-A

Heavy duty differential index

Axle model	Type/ Capacity	Message	SKF kit
------------	-------------------	---------	---------

Eaton model index-cont.

Rear axle-cont.

17200	R-17,000		SDK1
17201	R-17,000		SDK1
17202	R-17,000		SDK1
17220	R-17,000		SDK1
17221	R-17,000		SDK1
17300	R-17,000		SDK1
17301	R-17,000		SDK1
17302	R-17,000		SDK1
17320	R-17,000		SDK1
17321	R-17,000		SDK1
17322	R-17,000		SDK1
17401	R-17,000		SDK1
17421	R-17,000		SDK1
17500	R-17,000		SDK1
17501	R-17,000		SDK1
17800	R-17,000		SDK1
17810	R-17,000		SDK1
18100	R-18,000		SDK1-A
18101	R-18,000		SDK1-A
18103	R-18,000		SDK1-A
18120	R-18,000		SDK1-A
18121	R-18,000		SDK1-A
18123	R-18,000		SDK1-A
18200	R-18,000		SDK1
18201	R-18,000		SDK1
18202	R-18,000		SDK1
18207	R-18,000		SDK1
18220	R-18,000		SDK1
18221	R-18,000		SDK1
18227	R-18,000		SDK1
18300	R-18,000		SDK1
18301	R-18,000		SDK1
18302	R-18,000		SDK1
18320	R-18,000		SDK1
18321	R-18,000		SDK1
18322	R-18,000		SDK1
18500	R-18,000		SDK1
18501	R-18,000		SDK1
18502	R-18,000		SDK1
18503	R-18,000		SDK1
18800	R-18,000		SDK1
18802	R-18,000		SDK1
18803	R-18,000		SDK1
18812	R-18,000		SDK1
18813	R-18,000		SDK1
19050-D	R-19,000		SDK221
19050-P	R-19,000		SDK23-D
19050-S	R-19,000		SDK221
19050-T	R-19,000		SDK23-D
19060-S	R-19,000		SDK404-R
19060-T	R-19,000		SDK1
19200	R-19,000		SDK72
19201	R-19,000		SDK72
19202	R-19,000		SDK72
19220	R-19,000	w/o 103537 Case	SDK72-A

Axle model	Type/ Capacity	Message	SKF kit
------------	-------------------	---------	---------

Eaton model index-cont.

Rear axle-cont.

19221	R-19,000	w/o 103537 Case	SDK72-A
19223	R-19,000		SDK72-A
19227	R-19,000	After 2-1-79	SDK219-R
19237	R-19,000	After 2-1-79	SDK219-R
19300	R-19,000		SDK72
19301	R-19,000		SDK72
19320	R-19,000		SDK72-A
19321	R-19,000	w/o 103537 Case	SDK72-A
19323	R-19,000		SDK72-A
19500	R-19,000		SDK72
19501	R-19,000		SDK72
19502	R-19,000		SDK72
19503	R-19,000		SDK72
19512	R-19,000		SDK72
19513	R-19,000		SDK72
19515	R-19,000		SDK72
20000	R-20,000		SDK72
20200	R-20,000		SDK72
20201	R-20,000		SDK72
20220	R-20,000	w/o 103537 Case	SDK72-A
20221	R-20,000	w/o 103537 Case	SDK72-A
20223	R-20,000		SDK72-A
20300	R-20,000		SDK72
20301	R-20,000		SDK72
20320	R-20,000	w/o 103537 Case	SDK72-A
20321	R-20,000	w/o 103537 Case	SDK72-A
20323	R-20,000		SDK72-A
20500	R-20,000		SDK72
20501	R-20,000		SDK72
20502	R-20,000		SDK72
20503	R-20,000		SDK72
21060-S	R-21,000		SDK404-R
21060-T	R-21,000		SDK1
21121	R-21,000		SDK1-A
21221	R-21,000		SDK1
21321	R-21,000		SDK1
21421	R-21,000		SDK1
22060-S	R-22,000		SDK404-R
23080-P	R-23,000	After 4-6-88	SDK219-R
23080-T	R-23,000	After 4-6-88	SDK219-R
23085-C	R-23,000		SDK219-R
23105-S	R-23,000		SDK402
23120	R-23,000	Large Spherical Differential	SDK18-E
23121	R-23,000	Non-GMC Trucks	SDK18-E
23202	R-23,000		SDK72
23220	R-23,000	w/ 27950 Case	SDK72-A
23221	R-23,000	w/ 27950 Case	SDK72-A
23227	R-23,000	After 2-1-79	SDK219-R
23302	R-23,000		SDK72
23320	R-23,000	w/ 27950 Case	SDK72-A
23321	R-23,000	w/ 27950 Case	SDK72-A
23327	R-23,000	After 2-1-79	SDK219-R
23420	R-23,000	After 2-1-79	SDK219-R
23421	R-23,000		SDK219-R
23427	R-23,000		SDK219-R

Heavy duty differential index

Axle model	Type/ Capacity	Message	SKF kit
------------	-------------------	---------	---------

Eaton model index-cont.

Rear axle-cont.

23430	R-23,000	w/ CTD	SDK219-R
23433	R-23,000		SDK219-R
26085-P	R-26,000	After 4-6-88	SDK219-R
26085-T	R-26,000	After 4-6-88	SDK219-R
26105-S	R-26,000		SDK402
26120	R-26,000	Large Spherical Differential	SDK18-E
26121	R-26,000	Large Spherical Differential	SDK18-E
26123	R-26,000	Large Spherical Differential	SDK18-E
26220	R-26,000	w/ 27950 Case	SDK72-A
26221	R-26,000	w/ 27950 Case	SDK72-A
26223	R-26,000	w/ 27950 Case	SDK72-A
26320	R-26,000	w/ 27950 Case	SDK72-A
26321	R-26,000	w/ 27950 Case	SDK72-A
26323	R-26,000	w/ 27950 Case	SDK72-A
26421	R-26,000		SDK219-R
30055-P	R-30,000		SDK219-R
30105-S	R-30,000		SDK402
33321	R-33,000	w/ 27950 Case	SDK72-A
35055-P	R-35,000		SDK219-R
35227	R-35,000	w/103537 Case	SDK219-R
35327	R-35,000	w/103537 Case	SDK219-R

GMC model index

Rear axle

T150	R-15,000	1996-1983	SDK170
T170	R-17,000	1966-On	SDK170

IHC/Navistar model index

RA25	R-13,500		SDK202
RA30	R-15,000		SDK202
RA42	R-	w/ Involute Splines	SDK192-RB
RA43	R-18,500	w/ Involute Splines	SDK192-RB
RA44	R-18,500	w/ Involute Splines	SDK192-RB
RA47	R-18,500	w/ Involute Splines	SDK192-RB
RA48	R-18,500	w/ Involute Splines	SDK192-RB
RA57	R-23,000	w/Involute Splines	SDK201-R
RA351	RF-34,000	Diff Ser. #21453 & Higher w/Tapered Drive Bearings	SDK192-FB
	RR-34,000	Involute Splines	SDK192-RB
RA355	RF-38,000	Diff Ser. #21453 & Higher w/Tapered Drive Bearings	SDK192-FB
	RF-38,000	Involute Splines	SDK192-RB

Axle model	Type/ Capacity	Message	SKF kit
------------	-------------------	---------	---------

IHC/Navistar model index-cont.

RA386	RF-	Diff Ser. #21453 & Higher w/Tapered Drive Bearings	SDK192-FB
	RR-	w/Involute Splines	SDK192-RB
RA387	RF-	Diff Ser. #21453 & Higher w/Tapered Drive Bearings	SDK192-FB
	RR-	w/Involute Splines	SDK192-RB
RA429	RF-	w/Involute Splines	SDK201-R
RA472	RF-	Involute Splines	SDK200-F
	RF-	Involute Splines	SDK200-FA
	RR-	Involute Splines	SDK192-RB
RA474	RF-46,000	Involute Splines	SDK201-F
	RF-	Involute Splines	SDK201-FA
RA474	RR-46,000	Involute Splines	SDK201-R

Mack model index

SW29	RF & RR-		SDK205
SW30	RF & RR-		SDK205
SW31	RF & RR-		SDK205
SWD32	RF & RR-		SDK206
CRDLP92		w/11KH5312, 5313	SDK206
		w/11KH5313	SDK206
		w/11KH5316, 5317, 5318, 5319	SDK206
CRD93		w/11KH5326, 5327, 5330	SDK205
CRDLP93			SDK205
CRDPC112		w/11KH5333, 5334, 5336	SDK206
CRD113		w/11KH5341, 5342	SDK205

Heavy duty differential index

Axle model	Sub model/ Message	Type/ Capacity	Carriers	SKF Kit
------------	--------------------	----------------	----------	---------

Meritor/Rockwell model index

120, 125 Series Single Axles

RS-13-120	R-13,000	All		SDK218
RS-15-120	R-15,000	All		SDK218
RS-15-125	R-15,000	All		SDK218

140, 141, 143, 144 & 145 Series Single Axles

RS-16-141	R-16,000	All		SDK217-R
RS-17-141	R-17,000	All		SDK217-R
RS-17-144	R-17,000		D1850	SDK217-R
			E1851	SDK217-R
			G1879	SDK4390
			L1676	SDK217-R
			M1885	SDK217-R
			Q1785	SDK217-R
			S1895	SDK217-R
			X1558	SDK4390
RS-17-145	R-17,000	All		SDK217-R
RS-19-144	R-19,000		D1850	SDK217-R
			E1851	SDK217-R
			G1879	SDK4390
			L1676	SDK217-R
			M1885	SDK217-R
			Q1785	SDK217-R
			S1895	SDK217-R
			X1558	SDK4390
RS-19-145	R-19,000	All		SDK217-R
RS-21-145	R-21,000		D1850	SDK217-R
			E1851	SDK217-R
			G1879	SDK4390
			L1676	SDK217-R
			M1885	SDK217-R
			Q1785	SDK217-R
			S1895	SDK217-R
			X1558	SDK4390

140, 141, 143, 144 & 145 Series Tandem Axles

RT-34-144	RT-34,000			
	RD-17-144	RF-17,000	B1978	SDK217-F
				<i>Prior to 11/93 w/ Original 39 Spline Input</i>
			B1978	SDK4395
				<i>Prior to 11/93 w/ New 46 Spline Input</i>
				<i>After 11/93</i>
			C1979	SDK217-F
				<i>Prior to 11/93 w/ Original 39 Spline Input</i>
			C1979	SDK4395
				<i>Prior to 11/93 w/ New 46 Spline Input</i>
			C1979	SDK4396
				<i>After 11/93</i>
			E1903	SDK4405
				<i>Prior to 11/93</i>
			E1903	SDK4406
				<i>After 11/93</i>
			E1981	SDK4405
				<i>Prior to 11/93</i>
			E1981	SDK4406
				<i>After 11/93</i>
			F1852	SDK217-F
				<i>Prior to 11/93 w/ Original 39 Spline Input</i>
			F1852	SDK4395
				<i>Prior to 11/93 w/ New 46 Spline Input</i>
			F1852	SDK4396
				<i>After 11/93</i>

Axle model	Sub model/ Message	Type/ Capacity	Carriers	SKF Kit
------------	--------------------	----------------	----------	---------

Meritor/Rockwell model index-cont.

140, 141, 143, 144 & 145 Series Tandem Axles-cont.

RT-34-144	RD-17-144	RF-17,000		
			G1645	SDK217-F
				<i>Prior to 11/93 w/ Original 39 Spline Input</i>
			G1645	SDK4395
				<i>Prior to 11/93 w/ New 46 Spline Input</i>
			G1645	SDK4396
				<i>After 11/93</i>
			M1677	SDK4405
				<i>Prior to 11/93</i>
			M1677	SDK4406
				<i>After 11/93</i>
			N1860	SDK217-F
				<i>Prior to 11/93 w/ Original 39 Spline Input</i>
			N1860	SDK4395
				<i>Prior to 11/93 w/ New 46 Spline Input</i>
			N1860	SDK4396
				<i>After 11/93</i>
			R1890	SDK4405
				<i>Prior to 11/93</i>
			R1890	SDK4406
				<i>After 11/93</i>
			S1917	SDK217-F
				<i>Prior to 11/93 w/ Original 39 Spline Input</i>
			S1917	SDK4395
				<i>Prior to 11/93 w/ New 46 Spline Input</i>
			S1917	SDK4396
				<i>After 11/93</i>
			T1814	SDK217-F
				<i>Prior to 11/93 w/ Original 39 Spline Input</i>
			T1814	SDK4395
				<i>Prior to 11/93 w/ New 46 Spline Input</i>
			T1814	SDK4396
				<i>After 11/93</i>
			U1815	SDK4405
				<i>Prior to 11/93</i>
			U1815	SDK4406
				<i>After 11/93</i>
			D1902	SDK4405
				<i>Prior to 11/93</i>
			D1902	SDK4406
				<i>After 11/93</i>
			G1853	SDK217-F
				<i>Prior to 11/93 w/ Original 39 Spline Input</i>
			G1853	SDK4395
				<i>Prior to 11/93 w/ New 46 Spline Input</i>
			G1853	SDK4396
				<i>After 11/93</i>
			H1984	SDK217-F
				<i>Prior to 11/93 w/ Original 39 Spline Input</i>
			H1984	SDK4395
				<i>Prior to 11/93 w/ New 46 Spline Input</i>
			H1984	SDK4396
				<i>After 11/93</i>
			K1987	SDK4405
				<i>Prior to 11/93</i>
			K1987	SDK4406
				<i>After 11/93</i>
			L1624	SDK4405
				<i>Prior to 11/93</i>
			L1624	SDK4406
				<i>After 11/93</i>
			P1888	SDK4405
				<i>Prior to 11/93</i>

Heavy duty differential index

Axle model	Sub model/ Message	Type/ Capacity	Carriers	SKF Kit
------------	--------------------	----------------	----------	---------

Meritor/Rockwell model index-cont.

140, 141, 143, 144 & 145 Series Tandem Axles-cont.

RT-34-144.....RP-17-144.....RF-17,000	P1888.....	SDK4406		
After 11/93	V1816.....	SDK217-F		
Prior to 11/93 w/ Original 39 Spline Input	V1816.....	SDK4395		
Prior to 11/93 w/ New 46 Spline Input	V1816.....	SDK4396		
After 11/93	W1817.....	SDK4405		
Prior to 11/93	W1817.....	SDK4406		
After 11/93	X1662.....	SDK217-F		
Prior to 11/93 w/ Original 39 Spline Input	X1662.....	SDK4395		
Prior to 11/93 w/ New 46 Spline Input	X1662.....	SDK4396		
After 11/93				
RR-17-144RR-17,000.....	D1850.....	SDK217-R		
	E1851.....	SDK217-R		
	G1879.....	SDK4390		
	L1676.....	SDK217-R		
	M1885.....	SDK217-R		
	Q1785.....	SDK217-R		
	S1865.....	SDK217-R		
	X1558.....	SDK4390		

RT-34-145.....	RT-34,000.....	All.....	SDK217-F	
Prior to 11/93 w/ Original 39 Spline Input				
RD-17-145.....RF-17,000.....	All.....	SDK4395		
Prior to 11/93 w/ New 46 Spline Input	All.....	SDK4396		
After 11/93				
RP-17-145.....RF-17,000.....	All.....	SDK4395		
Prior to 11/93	All.....	SDK4396		
After 11/93				
RR-17-145RR-17,000.....	All.....	SDK217-R		

RT-38-144.....	RT-38,000			
RD-19-144RF-19,000.....	B1978.....	SDK217-F		
Prior to 11/93 w/ Original 39 Spline Input	B1978.....	SDK4395		
Prior to 11/93 w/ New 46 Spline Input	B1978.....	SDK4396		
After 11/93	C1979.....	SDK217-F		
Prior to 11/93 w/ Original 39 Spline Input	C1979.....	SDK4395		
Prior to 11/93 w/ New 46 Spline Input	C1979.....	SDK4396		
After 11/93	E1903.....	SDK4405		
Prior to 11/93	E1903.....	SDK4406		
After 11/93	E1981.....	SDK4405		
Prior to 11/93	E1981.....	SDK4406		
After 11/93				

Axle model	Sub model/ Message	Type/ Capacity	Carriers	SKF Kit
------------	--------------------	----------------	----------	---------

Meritor/Rockwell model index-cont.

140, 141, 143, 144 & 145 Series Tandem Axles-cont.

RT-38-144.....RD-19-144.....RF-19,000	F1852.....	SDK217-F		
Prior to 11/93 w/ Original 39 Spline Input	F1852.....	SDK4395		
Prior to 11/93 w/ New 46 Spline Input	F1852.....	SDK4396		
After 11/93	G1645.....	SDK217-F		
Prior to 11/93 w/ Original 39 Spline Input	G1645.....	SDK4395		
Prior to 11/93 w/ New 46 Spline Input	G1645.....	SDK4396		
After 11/93	M1677.....	SDK4405		
Prior to 11/93	M1677.....	SDK4406		
After 11/93	N1860.....	SDK217-F		
Prior to 11/93 w/ Original 39 Spline Input	N1860.....	SDK4395		
Prior to 11/93 w/ New 46 Spline Input	N1860.....	SDK4396		
After 11/93	R1890.....	SDK4405		
Prior to 11/93	R1890.....	SDK4406		
After 11/93	S1917.....	SDK217-F		
Prior to 11/93 w/ Original 39 Spline Input	S1917.....	SDK4395		
Prior to 11/93 w/ New 46 Spline Input	S1917.....	SDK4396		
After 11/93	T1814.....	SDK217-F		
Prior to 11/93 w/ Original 39 Spline Input	T1814.....	SDK4395		
Prior to 11/93 w/ New 46 Spline Input	T1814.....	SDK4396		
After 11/93	U1815.....	SDK4405		
Prior to 11/93	U1815.....	SDK4406		
After 11/93				
RP-19-144.....RF-19,000.....	D1902.....	SDK4405		
Prior to 11/93	D1902.....	SDK4406		
After 11/93	G1853.....	SDK217-F		
Prior to 11/93 w/ Original 39 Spline Input	G1853.....	SDK4395		
Prior to 11/93 w/ New 46 Spline Input	G1853.....	SDK4396		
After 11/93	H1984.....	SDK217-F		
Prior to 11/93 w/ Original 39 Spline Input	H1984.....	SDK4395		
Prior to 11/93 w/ New 46 Spline Input	H1984.....	SDK4396		
After 11/93	K1987.....	SDK4405		
Prior to 11/93	K1987.....	SDK4406		
After 11/93				

Heavy duty differential index

Axle model Sub model/ Message Type/ Capacity Carriers SKF Kit

Meritor/Rockwell model index-cont.

140, 141, 143, 144 & 145 Series Tandem Axles-cont.

RT-38-144.....RP-19-144.....RF-19,000	L1624.....	SDK4405
<i>Prior to 11/93</i>	L1624.....	SDK4406
<i>After 11/93</i>	P1888.....	SDK4405
<i>Prior to 11/93</i>	P1888.....	SDK4406
<i>After 11/93</i>	V1816.....	SDK217-F
<i>Prior to 11/93 w/ Original 39 Spline Input</i>	V1816.....	SDK4395
<i>Prior to 11/93 w/ New 46 Spline Input</i>	V1816.....	SDK4396
<i>After 11/93</i>	W1817.....	SDK4405
<i>Prior to 11/93</i>	W1817.....	SDK4406
<i>After 11/93</i>	X1662.....	SDK217-F
<i>Prior to 11/93 w/ Original 39 Spline Input</i>	X1662.....	SDK4395
<i>Prior to 11/93 w/ New 46 Spline Input</i>	X1662.....	SDK4396
<i>After 11/93</i>		
RR-19-144.....RR-19,000.....	D1850.....	SDK217-R
	E1851.....	SDK217-R
	G1879.....	SDK4390
	L1676.....	SDK217-R
	M1885.....	SDK217-R
	Q1785.....	SDK217-R
	S1865.....	SDK217-R
	X1558.....	SDK4390
RT-40-140.....RT-40,000		
RR-20-140.....RR-20,000.....All.....		SDK217-R
MT-40-143.....RT-40,000		
MD-20-143.....RF-20,000.....	B1978.....	SDK217-F
<i>Prior to 11/93 w/ Original 39 Spline Input</i>	B1978.....	SDK4395
<i>Prior to 11/93 w/ New 46 Spline Input</i>	B1978.....	SDK4396
<i>After 11/93</i>	C1979.....	SDK217-F
<i>Prior to 11/93 w/ Original 39 Spline Input</i>	C1979.....	SDK4395
<i>Prior to 11/93 w/ New 46 Spline Input</i>	C1979.....	SDK4396
<i>After 11/93</i>	E1903.....	SDK4405
<i>Prior to 11/93</i>	E1903.....	SDK4406
<i>After 11/93</i>	E1981.....	SDK4405
<i>Prior to 11/93</i>	E1981.....	SDK4406
<i>After 11/93</i>	F1852.....	SDK217-F
<i>Prior to 11/93 w/ Original 39 Spline Input</i>	F1852.....	SDK4395
<i>Prior to 11/93 w/ New 46 Spline Input</i>		

Axle model Sub model/ Message Type/ Capacity Carriers SKF Kit

Meritor/Rockwell model index-cont.

140, 141, 143, 144 & 145 Series Tandem Axles-cont.

MT-40-143.....MD-20-143.....RF-20,000	F1852.....	SDK4396
<i>After 11/93</i>	G1645.....	SDK217-F
<i>Prior to 11/93 w/ Original 39 Spline Input</i>	G1645.....	SDK4395
<i>Prior to 11/93 w/ New 46 Spline Input</i>	G1645.....	SDK4396
<i>After 11/93</i>	M1677.....	SDK4405
<i>Prior to 11/93</i>	M1677.....	SDK4406
<i>After 11/93</i>	N1860.....	SDK217-F
<i>Prior to 11/93 w/ Original 39 Spline Input</i>	N1860.....	SDK4395
<i>Prior to 11/93 w/ New 46 Spline Input</i>	N1860.....	SDK4396
<i>After 11/93</i>	R1890.....	SDK4405
<i>Prior to 11/93</i>	R1890.....	SDK4406
<i>After 11/93</i>	S1917.....	SDK217-F
<i>Prior to 11/93 w/ Original 39 Spline Input</i>	S1917.....	SDK4395
<i>Prior to 11/93 w/ New 46 Spline Input</i>	S1917.....	SDK4396
<i>After 11/93</i>	T1814.....	SDK217-F
<i>Prior to 11/93 w/ Original 39 Spline Input</i>	T1814.....	SDK4395
<i>Prior to 11/93 w/ New 46 Spline Input</i>	T1814.....	SDK4396
<i>After 11/93</i>	U1815.....	SDK4405
<i>Prior to 11/93</i>	U1815.....	SDK4406
<i>After 11/93</i>		
MP-20-143.....RF-20,000.....	D1902.....	SDK4405
<i>Prior to 11/93</i>	D1902.....	SDK4406
<i>After 11/93</i>	G1853.....	SDK217-F
<i>Prior to 11/93 w/ Original 39 Spline Input</i>	G1853.....	SDK4395
<i>Prior to 11/93 w/ New 46 Spline Input</i>	G1853.....	SDK4396
<i>After 11/93</i>	H1984.....	SDK217-F
<i>Prior to 11/93 w/ Original 39 Spline Input</i>	H1984.....	SDK4395
<i>Prior to 11/93 w/ New 46 Spline Input</i>	H1984.....	SDK4396
<i>After 11/93</i>	K1987.....	SDK4405
<i>Prior to 11/93</i>	K1987.....	SDK4406
<i>After 11/93</i>	L1624.....	SDK4405
<i>Prior to 11/93</i>	L1624.....	SDK4406
<i>After 11/93</i>		

Heavy duty differential index

Axle model Sub model/ Message Type/ Capacity Carriers SKF Kit

Meritor/Rockwell model index-cont.

140, 141, 143, 144 & 145 Series Tandem Axles-cont.

MT-40-143.....MP-20-143.....RF-20,000	P1888.....	SDK4405
<i>Prior to 11/93</i>	P1888.....	SDK4406
<i>After 11/93</i>	V1816.....	SDK217-F
<i>Prior to 11/93 w/ Original 39 Spline Input</i>	V1816.....	SDK4395
<i>Prior to 11/93 w/ New 46 Spline Input</i>	V1816.....	SDK4396
<i>After 11/93</i>	W1817.....	SDK4405
<i>Prior to 11/93</i>	W1817.....	SDK4406
<i>After 11/93</i>	X1662.....	SDK217-F
<i>Prior to 11/93 w/ Original 39 Spline Input</i>	X1662.....	SDK4395
<i>Prior to 11/93 w/ New 46 Spline Input</i>	X1662.....	SDK4396
<i>After 11/93</i>		

RT-40-145.....RT-40,000	B1978.....	SDK217-F
<i>Prior to 11/93 w/ Original 39 Spline Input</i>	B1978.....	SDK4395
<i>Prior to 11/93 w/ New 46 Spline Input</i>	B1978.....	SDK4396
<i>After 11/93</i>	C1979.....	SDK217-F
<i>Prior to 11/93 w/ Original 39 Spline Input</i>	C1979.....	SDK4395
<i>Prior to 11/93 w/ New 46 Spline Input</i>	C1979.....	SDK4396
<i>After 11/93</i>	E1903.....	SDK4405
<i>Prior to 11/93</i>	E1903.....	SDK4406
<i>After 11/93</i>	E1981.....	SDK4405
<i>Prior to 11/93</i>	E1981.....	SDK4406
<i>After 11/93</i>	F1852.....	SDK217-F
<i>Prior to 11/93 w/ Original 39 Spline Input</i>	F1852.....	SDK4395
<i>Prior to 11/93 w/ New 46 Spline Input</i>	F1852.....	SDK4396
<i>After 11/93</i>	G1645.....	SDK217-F
<i>Prior to 11/93 w/ Original 39 Spline Input</i>	G1645.....	SDK4395
<i>Prior to 11/93 w/ New 46 Spline Input</i>	G1645.....	SDK4396
<i>After 11/93</i>	M1677.....	SDK4405
<i>Prior to 11/93</i>	M1677.....	SDK4406
<i>After 11/93</i>	N1860.....	SDK217-F
<i>Prior to 11/93 w/ Original 39 Spline Input</i>	N1860.....	SDK4395
<i>Prior to 11/93 w/ New 46 Spline Input</i>		

Axle model Sub model/ Message Type/ Capacity Carriers SKF Kit

Meritor/Rockwell model index-cont.

140, 141, 143, 144 & 145 Series Tandem Axles-cont.

RT-40-145.....RD-20-145.....RF-20,000	N1860.....	SDK4396
<i>After 11/93</i>	R1890.....	SDK4405
<i>Prior to 11/93</i>	R1890.....	SDK4406
<i>After 11/93</i>	S1917.....	SDK217-F
<i>Prior to 11/93 w/ Original 39 Spline Input</i>	S1917.....	SDK4395
<i>Prior to 11/93 w/ New 46 Spline Input</i>	S1917.....	SDK4396
<i>After 11/93</i>	T1814.....	SDK217-F
<i>Prior to 11/93 w/ Original 39 Spline Input</i>	T1814.....	SDK4395
<i>Prior to 11/93 w/ New 46 Spline Input</i>	T1814.....	SDK4396
<i>After 11/93</i>	U1815.....	SDK4405
<i>Prior to 11/93</i>	U1815.....	SDK4406
<i>After 11/93</i>		
RP-20-145.....RF-20,000.....	D1902.....	SDK4405
<i>Prior to 11/93</i>	D1902.....	SDK4406
<i>After 11/93</i>	G1853.....	SDK217-F
<i>Prior to 11/93 w/ Original 39 Spline Input</i>	G1853.....	SDK4395
<i>Prior to 11/93 w/ New 46 Spline Input</i>	G1853.....	SDK4396
<i>After 11/93</i>	H1984.....	SDK217-F
<i>Prior to 11/93 w/ Original 39 Spline Input</i>	H1984.....	SDK4395
<i>Prior to 11/93 w/ New 46 Spline Input</i>	H1984.....	SDK4396
<i>After 11/93</i>	K1987.....	SDK4405
<i>Prior to 11/93</i>	K1987.....	SDK4406
<i>After 11/93</i>	L1624.....	SDK4405
<i>Prior to 11/93</i>	L1624.....	SDK4406
<i>After 11/93</i>	P1888.....	SDK4405
<i>Prior to 11/93</i>	P1888.....	SDK4406
<i>After 11/93</i>	V1816.....	SDK217-F
<i>Prior to 11/93 w/ Original 39 Spline Input</i>	V1816.....	SDK4395
<i>Prior to 11/93 w/ New 46 Spline Input</i>	V1816.....	SDK4396
<i>After 11/93</i>	W1817.....	SDK4405
<i>Prior to 11/93</i>	W1817.....	SDK4406
<i>After 11/93</i>	X1662.....	SDK217-F
<i>Prior to 11/93 w/ Original 39 Spline Input</i>		

Heavy duty differential index

Axle model	Sub model/ Message	Type/ Capacity	Carriers	SKF Kit
------------	--------------------	----------------	----------	---------

Meritor/Rockwell model index-cont.

140, 141, 143, 144 & 145 Series Tandem Axles-cont.

RT-40-145.....	RP-20-145.....	RF-20,000		X1662.....SDK4395
				<i>Prior to 11/93 w/ New 46 Spline Input</i>
				X1662.....SDK4396
				<i>After 11/93</i>
RR-20-145	RR-R-20,000 ...		D1850.....	SDK217-R
			E1851.....	SDK217-R
			G1879.....	SDK4390
			L1676.....	SDK217-R
			M1885.....	SDK217-R
			Q1785.....	SDK217-
			S1865.....	SDK217-R
			X1558.....	SDK4390

RT-44-145.....		RT-44,000		
RD-22-145	RF-22,000		B1874.....	SDK217-F
				<i>Prior to 11/93 w/ Original 39 Spline Input</i>
			B1874.....	SDK4395
				<i>Prior to 11/93 w/ New 46 Spline Input</i>
			B1874.....	SDK4396
				<i>After 11/93</i>
			C1875.....	SDK4405
				<i>Prior to 11/93</i>
			C1875.....	SDK4406
				<i>After 11/93</i>
			D1980.....	SDK217-F
				<i>Prior to 11/93 w/ Original 39 Spline Input</i>
			D1980.....	SDK4395
				<i>Prior to 11/93 w/ New 46 Spline Input</i>
			D1980.....	SDK4396
				<i>After 11/93</i>
			F1982.....	SDK4405
				<i>Prior to 11/93</i>
			F1982.....	SDK4406
				<i>After 11/93</i>
			G1905.....	SDK4405
				<i>Prior to 11/93</i>
			G1905.....	SDK4406
				<i>After 11/93</i>
RP-22-145.....	RF-22,000		D1876.....	SDK217-F
				<i>Prior to 11/93 w/ Original 39 Spline Input</i>
			D1876.....	SDK4395
				<i>Prior to 11/93 w/ New 46 Spline Input</i>
			D1876.....	SDK4396
				<i>After 11/93</i>
			E1877	SDK4405
				<i>Prior to 11/93</i>
			E1877	SDK4406
				<i>After 11/93</i>
			H1906	SDK4405
				<i>Prior to 11/93</i>
			H1906	SDK4406
				<i>After 11/93</i>
			J1986.....	SDK217-F
				<i>Prior to 11/93 w/ Original 39 Spline Input</i>
			J1986.....	SDK4395
				<i>Prior to 11/93 w/ New 46 Spline Input</i>
			J1986.....	SDK4396
				<i>After 11/93</i>
			M1911	SDK4405
				<i>Prior to 11/93</i>

Axle model	Sub model/ Message	Type/ Capacity	Carriers	SKF Kit
------------	--------------------	----------------	----------	---------

Meritor/Rockwell model index-cont.

140, 141, 143, 144 & 145 Series Tandem Axles-cont.

RT-44-145.....	RP-22-145.....	RF-22,000		M1911.....	SDK4406
					<i>After 11/93</i>
				P1914.....	SDK217-F
					<i>Prior to 11/93 w/ Original 39 Spline Input</i>
				P1914.....	SDK4395
					<i>Prior to 11/93 w/ New 46 Spline Input</i>
				P1914.....	SDK4396
					<i>After 11/93</i>
				T1918.....	SDK4405
					<i>Prior to 11/93</i>
				T1918.....	SDK4406
					<i>After 11/93</i>
RR-22-145	RR-22,000		A1873.....	SDK217-R	
			F1904.....	SDK4390	

160, 161 & 164 Series Single Axles

RS-20-160	R-R-20,000.....		A1821.....	SDK4426
			C1823.....	SDK4428
			D1928.....	SDK4428
			E1825.....	SDK4428
			E1929.....	SDK4428
			H1854	SDK4426
			J1856.....	SDK4426
			P1706.....	SDK4426
			R1708.....	SDK4428
			T1892.....	SDK4428
			V1712.....	SDK4428
			Y1897	SDK4428
RS-21-160	R-21,000.....		A1821.....	SDK4426
			C1823.....	SDK4428
			D1928.....	SDK4428
			E1825.....	SDK4428
			E1929.....	SDK4428
			H1854	SDK4426
			J1856.....	SDK4426
			P1706.....	SDK4426
			R1708.....	SDK4428
			T1892.....	SDK4428
			V1712.....	SDK4428
			Y1897	SDK4428

RC-23-160	R-23,000.....		A1821.....	SDK4426
			C1823.....	SDK4428
			D1928.....	SDK4428
			E1825.....	SDK4428
			E1929.....	SDK4428
			H1854	SDK4426
			J1856.....	SDK4426
			P1706.....	SDK4426
			R1708.....	SDK4428
			T1892.....	SDK4428
			V1712.....	SDK4428
			Y1897	SDK4428

Heavy duty differential index

Axle model	Sub model/ Message	Type/ Capacity	Carriers	SKF Kit
------------	--------------------	----------------	----------	---------

Meritor/Rockwell model index-cont.

160, 161 & 164 Series Single Axles-cont.

RS-23-160	R-23,000	A1821	SDK4426
		C1823	SDK4428
		D1928	SDK4428
		E1825	SDK4428
		E1929	SDK4428
		H1854	SDK4426
		J1856	SDK4426
		P1706	SDK4426
		R1708	SDK4428
		T1892	SDK4428
		V1712	SDK4428
		Y1897	SDK4428

RS-23-161	R-23,000	A1821	SDK4426
		C1823	SDK4428
		D1928	SDK4428
		E1825	SDK4428
		E1929	SDK4428
		H1854	SDK4426
		J1856	SDK4426
		P1706	SDK4426
		R1708	SDK4428
		T1892	SDK4428
		V1712	SDK4428
		Y1897	SDK4428

RS-24-160	R-24,000	A1821	SDK4426
		C1823	SDK4428
		D1928	SDK4428
		E1825	SDK4428
		E1929	SDK4428
		H1854	SDK4426
		J1856	SDK4426
		P1706	SDK4426
		R1708	SDK4428
		T1892	SDK4428
		V1712	SDK4428
		Y1897	SDK4428

RS-25-160	R-25,000	A1821	SDK4426
		C1823	SDK4428
		D1928	SDK4428
		E1825	SDK4428
		E1929	SDK4428
		H1854	SDK4426
		J1856	SDK4426
		P1706	SDK4426
		R1708	SDK4428
		T1892	SDK4428
		V1712	SDK4428
		Y1897	SDK4428

RS-26-160	R-26,000	A1821	SDK4426
		C1823	SDK4428
		D1928	SDK4428
		E1825	SDK4428
		E1929	SDK4428
		H1854	SDK4426
		J1856	SDK4426
		P1706	SDK4426
		R1708	SDK4428
		T1892	SDK4428
		V1712	SDK4428
		Y1897	SDK4428

Axle model	Sub model/ Message	Type/ Capacity	Carriers	SKF Kit
------------	--------------------	----------------	----------	---------

Meritor/Rockwell model index-cont.

160, 161 & 164 Series Tandem Axles

RT-40-160	RT-40,000		
RD-20-160	RF-20,000	J2116	SDK4422
		K1857	SDK4422
		L2118	SDK4423
		M1703	SDK4422
		Q1837	SDK4422
		W1713	SDK4423
		W1895	SDK4423
		X1818	SDK4422
		Y1819	SDK4423
RP-20-160	RF-20,000	K1701	SDK4423
		K2117	SDK4423
		V1894	SDK4423
		Z1820	SDK4423

RR-20-160	RR-20,000	A1821	SDK4426
		C1823	SDK4428
		D1928	SDK4428
		E1825	SDK4428
		E1929	SDK4428
		H1854	SDK4426
		J1856	SDK4426
		P1706	SDK4426
		R1708	SDK4428
		T1892	SDK4428
		V1712	SDK4428
		Y1897	SDK4428

RT-46-160	RT-46,000		
RD-23-160	RF-23,000	J2116	SDK4422
		K1857	SDK4422
		L2118	SDK4423
		M1703	SDK4422
		Q1837	SDK4422
		W1713	SDK4423
		W1895	SDK4423
		X1818	SDK4422
		Y1819	SDK4423

RP-23-160	RF-23,000	K1701	SDK4423
		K2117	SDK4423
		V1894	SDK4423
		Z1820	SDK4423

RR-23-160	RR-23,000	A1821	SDK4426
		C1823	SDK4428
		D1928	SDK4428
		E1825	SDK4428
		E1929	SDK4428
		H1854	SDK4426
		J1856	SDK4426
		P1706	SDK4426
		R1708	SDK4428
		T1892	SDK4428
		V1712	SDK4428
		Y1897	SDK4428

Heavy duty differential index

Axle model	Sub model/ Message	Type/ Capacity	Carriers	SKF Kit
------------	--------------------	----------------	----------	---------

Meritor/Rockwell model index-cont.

160, 161 & 164 Series Tandem Axles-cont.

RT-46-164.....	RT-46,000			
RD-23-164.....	RF-23,000	J2116.....	SDK4422	
		K1857.....	SDK4422	
		L2118.....	SDK4423	
		M1703.....	SDK4422	
		Q1837.....	SDK4422	
		W1713.....	SDK4423	
		W1895.....	SDK4423	
		X1818.....	SDK4422	
		Y1819.....	SDK4423	
RP-23-164.....	RF-23,000	K1701.....	SDK4423	
		K2117.....	SDK4423	
		V1894.....	SDK4423	
		Z1820.....	SDK4423	
RR-23-164.....	RR-23,000	A1821.....	SDK4426	
		C1823.....	SDK4428	
		D1928.....	SDK4428	
		E1825.....	SDK4428	
		E1929.....	SDK4428	
		H1854.....	SDK4426	
		J1856.....	SDK4426	
		P1706.....	SDK4426	
		R1708.....	SDK4428	
		T1892.....	SDK4428	
		V1712.....	SDK4428	
		Y1897.....	SDK4428	

RT-50-160.....	RT-50,000			
RD-25-160.....	RF-25,000	J2116.....	SDK4422	
		K1857.....	SDK4422	
		L2118.....	SDK4423	
		M1703.....	SDK4422	
		Q1837.....	SDK4422	
		W1713.....	SDK4423	
		W1895.....	SDK4423	
		X1818.....	SDK4422	
		Y1819.....	SDK4423	
RP-25-160.....	RF-25,000	K1701.....	SDK4423	
		K2117.....	SDK4423	
		V1894.....	SDK4423	
		Z1820.....	SDK4423	
RR-25-160.....	RR-25,000	A1821.....	SDK4426	
		C1823.....	SDK4428	
		D1928.....	SDK4428	
		E1825.....	SDK4428	
		E1929.....	SDK4428	
		H1854.....	SDK4426	
		J1856.....	SDK4426	
		P1706.....	SDK4426	
		R1708.....	SDK4428	
		T1892.....	SDK4428	
		V1712.....	SDK4428	
		Y1897.....	SDK4428	

Axle model	Sub model/ Message	Type/ Capacity	Carriers	SKF Kit
------------	--------------------	----------------	----------	---------

Meritor/Rockwell model index-cont.

160, 161 & 164 Series Tandem Axles-cont.

RT-50-164.....	RT-50,000			
RD-25-164.....	RF-25,000	J2116.....	SDK4422	
		K1857.....	SDK4422	
		L2118.....	SDK4423	
		M1703.....	SDK4422	
		Q1837.....	SDK4422	
		W1713.....	SDK4423	
		W1895.....	SDK4423	
		X1818.....	SDK4422	
		Y1819.....	SDK4423	
RP-25-164.....	RF-25,000	K1701.....	SDK4423	
		K2117.....	SDK4423	
		V1894.....	SDK4423	
		Z1820.....	SDK4423	
RR-25-164.....	RR-25,000	A1821.....	SDK4426	
		C1823.....	SDK4428	
		D1928.....	SDK4428	
		E1825.....	SDK4428	
		E1929.....	SDK4428	
		H1854.....	SDK4426	
		J1856.....	SDK4426	
		P1706.....	SDK4426	
		R1708.....	SDK4428	
		T1892.....	SDK4428	
		V1712.....	SDK4428	
		Y1897.....	SDK4428	

RT-52-160.....	RT-52,000			
RD-26-160.....	RF-26,000	J2116.....	SDK4422	
		K1857.....	SDK4422	
		L2118.....	SDK4423	
		M1703.....	SDK4422	
		Q1837.....	SDK4422	
		W1713.....	SDK4423	
		W1895.....	SDK4423	
		X1818.....	SDK4422	
		Y1819.....	SDK4423	
RP-26-160.....	RF-26,000	K1701.....	SDK4423	
		K2117.....	SDK4423	
		V1894.....	SDK4423	
		Z1820.....	SDK4423	
RR-26-160.....	RR-26,000	A1821.....	SDK4426	
		C1823.....	SDK4428	
		D1928.....	SDK4428	
		E1825.....	SDK4428	
		E1929.....	SDK4428	
		H1854.....	SDK4426	
		J1856.....	SDK4426	
		P1706.....	SDK4426	
		R1708.....	SDK4428	
		T1892.....	SDK4428	
		V1712.....	SDK4428	
		Y1897.....	SDK4428	

Heavy duty differential index

Axle model	Sub model/ Message	Type/ Capacity	Carriers	SKF Kit
------------	--------------------	----------------	----------	---------

Meritor/Rockwell model index-cont.

160, 161 & 164 Series Tandem Axles-cont.

RT-52-164	RT-52,000			
RD-26-164	RF-26,000	J2116	SDK4422	
		K1857	SDK4422	
		L2118	SDK4423	
		M1703	SDK4422	
		Q1837	SDK4422	
		W1713	SDK4423	
		W1895	SDK4423	
		X1818	SDK4422	
		Y1819	SDK4423	
RP-26-164	RF-26,000	K1701	SDK4423	
		K2117	SDK4423	
		V1894	SDK4423	
		Z1820	SDK4423	
RR-26-164	RR-26,000	A1821	SDK4426	
		C1823	SDK4428	
		D1928	SDK4428	
		E1825	SDK4428	
		E1929	SDK4428	
		H1854	SDK4426	
		J1856	SDK4426	
		P1706	SDK4426	
		R1708	SDK4428	
		T1892	SDK4428	
		V1712	SDK4428	
		Y1897	SDK4428	

210, 2R-20, 224, 230 & 240 Series Single Axles

RS-15-210	R-15,000	All	SDK4360
RS-15-220	R-15,000	All	SDK216
RS-17-220	R-17,000	All	SDK216
RS-17-224	R-17,000	All	SDK216
RS-19-220	R-19,000	All	SDK216
RS-19-224	R-19,000	All	SDK216

Out of Production Single Reduction Axles – Single

H120	R-17,000		SDK9-RC
	<i>3.55 - 4.63 Ratios</i>		
L100	R-18,500		SDK9-RC
	<i>3.55 - 4.63 Ratios</i>		
L100A	R-18,500		SDK9-RC
	<i>3.55 - 4.63 Ratios</i>		
L101	R-18,500		SDK9-RC
	<i>3.55 - 4.63 Ratios</i>		
L110	R-18,500		SDK9-RC
	<i>3.55 - 4.63 Ratios</i>		
L110A	R-18,500		SDK9-RC
	<i>3.55 - 4.63 Ratios</i>		
PL143	R-18,500		SDK172-R
R100	R-23,000		SDK172-R
R100A	R-23,000		SDK172-R
R110	R-23,000		SDK172-R
R110A	R-23,000		SDK172-R
R112	R-23,000		SDK172-R
R113	R-23,000		SDK172-R
R114	R-23,000		SDK172-R
R115	R-23,000		SDK172-R

Axle model	Sub model/ Message	Type/ Capacity	Carriers	SKF Kit
------------	--------------------	----------------	----------	---------

Meritor/Rockwell model index-cont.

Out of Production Single Reduction Axles – Single-cont.

R120	R-23,000		SDK172-R
R140	R-23,000		SDK172-R
R141	R-23,000		SDK172-R
R143	R-23,000		SDK172-R
R155	R-23,000		SDK172-R
R170	R-23,000		SDK50
	<i>Prior to 12/1/83 Exc. 7.40 Ratio</i>		
RL170	R-R-20,000		SDK50
	<i>Prior to 12/1/83 Exc. 7.40 Ratio</i>		
RT140	R-23,000		SDK172-R
S170	R-26,000		SDK50
	<i>Prior to 12/1/83 Exc. 7.40 Ratio</i>		
U140	R-23,000		SDK172-R
W170	R-36-38,000		SDK50

Out of Production Single Reduction Axles – Tandem

SL/SQ-100 Series

SL100	RT-34,000		
	LD100	RF-17,000	SDK194-F
	LR100	RR-17,000	SDK194-RB
SL100P	RT-34,000		
	LP100	RF-17,000	SDK194-F
	LR100	RR-17,000	SDK194-RB
SQ100	RT-38-40,000		
	QD100	RF-19-R-20,000	SDK194-F
	QR100	RR-19-R-20,000	SDK194-RB
SQ100P	RT-38-40,000		
	QP100	RF-19-R-20,000	SDK194-F
	QR100	RR-19-R-20,000	SDK194-RB
SQR100	RT-44,000		
	QRD100	RF-22,000	SDK194-F
	QRR100	RR-22,000	SDK194-RB
SQR100P	RT-44,000		
	QRP100	RF-22,000	SDK194-F
	QRR100	RR-22,000	SDK194-RB
SR170	RT-46-48,000		
	R170	RF-23-24,000	G1255
		<i>All ratios Exc. 7.40</i>	
	R170R	RR-23-24,000	SDK50
		<i>All ratios Exc. 7.40</i>	
SU170	RT-58,000		
	U170	RF-29,000	G1255
		<i>All ratios Exc. 7.40</i>	
	U170R	RR-29,000	SDK50
		<i>All ratios Exc. 7.40</i>	
SW170	RT-70,000		
	W170	RF-35,000	G1255
		<i>All ratios Exc. 7.40</i>	
		RF-35,000	J1076
		<i>All ratios Exc. 7.40</i>	
	W170R	RR-35,000	SDK50
		<i>All ratios Exc. 7.40</i>	

Heavy duty differential index

Axle model	Sub model/ Message	Type/ Capacity	Carriers	SKF Kit
------------	--------------------	----------------	----------	---------

Meritor/Rockwell model index-cont.

Out of Production Single Reduction Axles – Tandem

SL/SQ/SS/ST/SUHD Series

SLHD	RT-34,000			
LHD	RF-17,000			SDK900-F
	3.55 - 4.63 Ratios			
	RF-17,000			SDK900-FA
	3.55 - 4.63 Ratios Complete Kit			
LHR	RR-17,000			SDK9-RC
	3.55 - 4.63 Ratios			

SQHD	RT-38-40,000			
QHD	RF-19-20,000			SDK900-F
	3.55 - 4.63 Ratios			
	RF-19-20,000			SDK900-FA
	3.55 - 4.63 Ratios Complete Kit			
QHR	RR-19-20,000			SDK9-RC
	3.55 - 4.63 Ratios			

SQHP	RT-38-40,000			
QHP	RF-19-R-20,000			SDK194-F
QAR	RR-19-R-20,000			SDK194-RA

SSHHD	RT-46,000			
SHD	RF-23,000			SDK172-F
	Ball Bearing Input & Output Shaft			
	RF-23,000			SDK172-FA
	Ball Bearing Input & Output Shaft w/ Involute Splines			
	RF-23,000			SDK172-FB
	Taper Bearing Input & Output Shaft			
SHR	RR-23,000			SDK172-R
	Early Style Seal			

SSHP	RT-46,000			
SHP	RF-23,000			SDK172-F
	Ball Bearing Input & Output Shaft			
	RF-23,000			SDK172-FA
	Ball Bearing Input & Output Shaft w/ Involute Splines			
	RF-23,000			SDK172-FB
	Taper Bearing Input & Output Shaft			
SHR	RR-23,000			SDK172-R
	Early Style Seal			

STHD	RT-50,000			
THD	RF-25,000			SDK172-F
	Ball Bearing Input & Output Shaft			
	RF-25,000			SDK172-FA
	Ball Bearing Input & Output Shaft w/ Involute Splines			
	RF-25,000			SDK172-FB
	Taper Bearing Input & Output Shaft			
THR	RR-25,000			SDK172-R
	Early Style Seal			

SUHD	RT-58,000			
UHD	RF-29,000			SDK172-F
	Ball Bearing Input & Output Shaft			
	RF-29,000			SDK172-FA
	Ball Bearing Input & Output Shaft w/ Involute Splines			
	RF-29,000			SDK172-FB
	Taper Bearing Input & Output Shaft			
UHR	RR-29,000			SDK172-R
	Early Style Seal			

Axle model	Sub model/ Message	Type/ Capacity	Carriers	SKF Kit
------------	--------------------	----------------	----------	---------

Meritor/Rockwell model index-cont.

Out of Production Single Reduction Axles – Tandem-cont.

SR270	RT-46-48,000			
R270	RF-23-24,000		G1255	SDK203-F
	All ratios Exc. 7.40			
	RF-23-24,000		J1076	SDK203-F
	All ratios Exc. 7.40			

SR280	RT-46-48,000			
R280	RF-23-24,000		G1255	SDK203-F
	All ratios Exc. 7.40			
	RF-23-24,000		J1076	SDK203-F
	All ratios Exc. 7.40			

SU270	RT-58,000			
U270	RF-29,000		G1255	SDK203-F
	All ratios Exc. 7.40			
	RF-29,000		J1076	SDK203-F
	All ratios Exc. 7.40			

SU280	RT-58,000			
U280	RF-29,000		G1255	SDK203-F
	All ratios Exc. 7.40			
	RF-29,000		J1076	SDK203-F
	All ratios Exc. 7.40			

SW270	RT-70,000			
W270	RF-35,000		G1255	SDK203-F
	All ratios Exc. 7.40			
	RF-35,000		J1076	SDK203-F
	All ratios Exc. 7.40			

SW280	RT-70,000			
W280	RF-35,000		G1255	SDK203-F
	All ratios Exc. 7.40			
	RF-35,000		J1076	SDK203-F
	All ratios Exc. 7.40			

Out of Production Double Reduction Axles

SF/SQ/SR/ST/SUDD Series

SFDD4640	RT-65,000			
FDR			3800F604	SDK1910

SQDD	RT-38,000			
QDR	RR-19,000		3800E759	SDK11-R
			3800K557	SDK11-R

SRDD	RT-44,000			
SRDD	RDR	RR-22,000	3800A755	SDK11-R
			3800E473	SDK11-R
			3800H554	SDK11-R

STDD	RT-50,000			
TDR	RR-25,000		3800D758	SDK187-R

Notes

DIFFERENTIAL KIT CONTENTS—Heavy Duty

SDK1

APPLICATIONS: EATON—DP340, DS385, DT340, DT341, D3-340, RP340, RP341, RP380, RP381, RP400, RP401, RP402, RS340, RS380, RS400 w/Date Code 1208 (4/30/78), RT340, RT341, RT380, RT381, RT400, RT401, RT402, RT451, R3-340, R3-380, R3-400, 17200 Series, 17300 Series, 17400 Series, 17500 Series, 17800 (Exc. Dodge From 1974), 17801, 17810, 17815, 18200 Series, 18300 Series, 18500 Series (Exc. Ford w/Conical Carrier), 1880, 18800, 18802, 18803, 1881, 18812, 18813, 21421, 34DP, 34DT,34D3, 34RP, 34RPC, 34RPE, 34RT, 34RTA, 34RTC, 34RTE, 34R3, 34R3E, 38DP, 38DT, 38D3, 38RP, 38RPA, 38RPC, 38RPE, 38RT, 38RTC, 38RTE, 38R3, 38R3C, 38R3E, 42DP, 42DT, 42D3, 42RP, 42RPB, 42RPC, 42RT, 42R3, 50DP, 50DT, 50RP, 50RPB, 50RT, 7322, 7800, 7801, 7810, 8800, 8802, 8803, 8812, 8813

APPLICATION	DESCRIPTION	PART NUMBER	QUANTITY
Pinion Pilot.....	Cylindrical Roller Bearing.....	<input type="checkbox"/> MUSB1307-UM	1
Pinion.....	Seal.....	26373.....	1
	<i>Speedi-Sleeve</i>	<input checked="" type="checkbox"/> 99262	
Pinion Front Inner/Outer.....	Tapered Roller Bearing (Cone/Cup).....	55200-C/BR55437	2
Differential Right Hand	Tapered Roller Bearing (Cone/Cup).....	BR497/BR493.....	1
Differential Left Hand.....	Tapered Roller Bearing (Cone/Cup).....	BR56425/BR56650.....	1
Electric Shift.....	Ball Bearing.....	<input checked="" type="checkbox"/> 6200-ZNRJ	1
Misc.	3 oz Silicone Blue	<input type="checkbox"/> SEALANT	1

SDK1-A

APPLICATIONS: EATON—RS340, RS341, RS380, RS381, RS400 From Date Code 1218 (5/1/78), RS401, 17100, 17101, 17120, 17121, 18100, 18101, 18102, 18103, 18120, 18121, 18122, 18123, 21121 (w/Conical Carrier), 22120, 34D, 34DS, 34RS, 34RSA, 34RSC, 34RSE, 38D, 38DS (Rear Unit), 38RS, 38RSA, 38RSC, 38RSE

APPLICATION	DESCRIPTION	PART NUMBER	QUANTITY
Pinion Pilot.....	Cylindrical Roller Bearing.....	<input type="checkbox"/> MUSB1307-UM	1
Pinion.....	Seal.....	26373.....	1
	<i>Speedi-Sleeve</i>	<input checked="" type="checkbox"/> 99262	
Pinion Front Inner/Outer.....	Tapered Roller Bearing (Cone/Cup).....	55200-C/BR55437	2
Differential Right Hand	Tapered Roller Bearing (Cone/Cup).....	BR497/BR493.....	1
Differential Left Hand.....	Tapered Roller Bearing (Cone/Cup).....	BR567/BR563.....	1
Misc.	3 oz Silicone Blue	<input type="checkbox"/> SEALANT	1

Note: For Eaton RS341, RS402, RS451 built after 4/16/89 use SDK222-R

SDK9-RC

APPLICATIONS: ARVIN MERITOR—ELHD, ERLHD, ERQHD,ESQHD Rear Unit (To 4.63:1 Ratio w/1.375" I.D. Rear Pinion Brg.), H120, L100, L100A, L100AP, L100DH,L100DPA, L100DPH, L100H, L100N, L100P, L101, L110, L110A, L110AP, L110DPA, L110P,L155 (To 4.63:1 Ratio w/1.375" I.D. Rear Pinion Brg.), SLHD, SQHD, SQRHD Rear Unit (From Ratio 4.63:1 w/1.375" I.D. Rear Pinion Brg.)

APPLICATION	DESCRIPTION	PART NUMBER	QUANTITY
Pinion Pilot.....	Cylindrical Roller Bearing.....	RU1570-UM.....	1
Pinion.....	Seal.....	27452.....	1
	<i>Speedi-Sleeve</i>	<input checked="" type="checkbox"/> 99274	
Pinion Front Outer	Tapered Roller Bearing (Cone/Cup).....	72188-C/BR72487	1
Pinion Front Inner.....	Tapered Roller Bearing (Cone/Cup).....	72200-C/BR72487	1
Differential Right Hand	Tapered Roller Bearing (Cone/Cup).....	BR496/BR493.....	2
Differential Left Hand.....	Tapered Roller Bearing (Cone/Cup).....	BR497/BR493.....	1
Misc.	3 oz Silicone Blue	<input type="checkbox"/> SEALANT	1

Use Speedi-Sleeves to repair grooved shafts (Not Included) Not Sold Separately Not included in kit

DIFFERENTIAL KIT CONTENTS—Heavy Duty

SDK11-R

APPLICATIONS: ARVIN MERITOR—EQDD (Center & Rear Units), ERQDD, SQD, SQDA, SQDD (Rear Unit)

APPLICATION	DESCRIPTION	PART NUMBER	QUANTITY
Pinion Pilot.....	Cylindrical Roller Bearing.....	MR1212-EX	1
Pinion.....	Seal.....	30144.....	1
	<i>Speedi-Sleeve</i>	■ 99300	
Pinion/Output Shaft	Seal.....	29192.....	1
	<i>Speedi-Sleeve</i>	■ 99293	
Pinion Front Outer	Tapered Roller Bearing	BR497/BR493.....	1
Pinion Front Inner	Tapered Roller Bearing (Cone/Cup).....	BR42350/BR42584.....	1
Differential Right/Left Hand	Tapered Roller Bearing (Cone/Cup).....	BR581/BR572.....	2
Crosshaft Right Hand	Tapered Roller Bearing	BR66225/BR66462.....	2
Crosshaft Left Hand.....	Cylindrical Roller Bearing.....	MU1218TDHM.....	1
Misc.	3 oz Silicone Blue	□ SEALANT	1

SDK18-E

APPLICATIONS: EATON—DS440P, RS440 (w/o Controlled Traction), RS460, RS480 (w/o Controlled Traction), 23120, 23121, 26120, 26121, 26123 (w/Carrier C98493), 44DS, 44RS, 44RSC

APPLICATION	DESCRIPTION	PART NUMBER	QUANTITY
Pinion Pilot.....	Cylindrical Roller Bearing.....	MUS1308-UM	1
Pinion (Exc. Ford w/44RS, RSC)....	Seal.....	29471**	1
	<i>Speedi-Sleeve</i>	■ 99293	
Pinion Front Inner.....	Tapered Roller Bearing (Cone/Cup).....	78215-C/BR78551*.....	1
Pinion Front Outer	Tapered Roller Bearing (Cone/Cup).....	72212-C/BR72487	1
Differential Right Hand	Tapered Roller Bearing (Cone/Cup).....	BR42381/BR42584.....	1
Differential Left Hand.....	Tapered Roller Bearing (Cone/Cup).....	BR665/BR653.....	1
Misc.	3 oz Silicone Blue	□ SEALANT	1

* With GMC (1984 & later) use 72212-C/BR72487 (Not Included)

**For Ford w/44RS, 44RSC use 26373 (Not Included)

SDK23-D

APPLICATIONS: EATON —16244, 16247, 16344, 19050P, 19050T

APPLICATION	DESCRIPTION	PART NUMBER	QUANTITY
Pinion Pilot.....	Cylindrical Roller Bearing.....	□ MUSB1307-UM	1
Pinion.....	Seal (2.625" Shaft).....	26378.....	1
	<i>Speedi-Sleeve</i>	■ 99262	
Pinion.....	Seal (2.375" Shaft).....	23770.....	1
	<i>Speedi-Sleeve</i>	■ 99237	
Pinion Front Inner/Outer	Tapered Roller Bearing (Cone/Cup).....	55175-C/BR55437	2
Differential Right Hand	Tapered Roller Bearing (Cone/Cup).....	495-A/BR493	1
Differential Left Hand.....	Tapered Roller Bearing (Cone/Cup).....	BR42381/BR42584.....	1
Electric Shift.....	Ball Bearing.....	● 6200-ZNRJ	1
Misc.	3 oz Silicone Blue	□ SEALANT	1

■ Use Speedi-Sleeves to repair grooved shafts (Not Included) □ Not Sold Separately ● Not included in kit

DIFFERENTIAL KIT CONTENTS—Heavy Duty

SDK24

APPLICATIONS: EATON —1350, 13800, 13802, 13803, 15040P, 15040T, 15200, 15201, 15300, 15301, 350, 3800, 3802

APPLICATION	DESCRIPTION	PART NUMBER	QUANTITY
Pinion Pilot.....	Cylindrical Roller Bearing.....	MU1305TM17	1
Pinion (Exc. GMC).....	Seal (2.25" x 3.194").....	22425**	1
	<i>Speedi-Sleeve</i>	■ 99225	
Pinion.....	Seal (2.25" x 4.069").....	22653	1
	<i>Speedi-Sleeve</i>	■ 99225	
Pinion.....	Seal (2.625" x 4.069").....	● 26358.....	1
Pinion Front Inner/Outer.....	Tapered Roller Bearing (Cone/Cup).....	HM903249/HM903210***	2
Differential Right Hand	Tapered Roller Bearing (Cone/Cup).....	BR33275/BR33472.....	1
Differential Left Hand.....	Tapered Roller Bearing (Cone/Cup).....	BR498/BR493*	1
Electric Shift.....	Ball Bearing.....	● 6200-ZNRJ	1
Misc.	3 oz Silicone Blue	□ SEALANT	1

* With GMC (1986-87) use BR3994/BR3920 (Not Included)

** For GMC use 22424 (Not Included)

*** For GMC use BR53176/BR53375 (Not Included)

SDK50

APPLICATIONS: ARVIN MERITOR—QT346, QT346P, R170, R170P, R170RDA, R171, R172, R173, SP100P, SR170, SR270, SU270, SW170,SW270, SW280, S170, U170, W170 (Exc. Ford From Ser. 732001)

APPLICATION	DESCRIPTION	PART NUMBER	QUANTITY
Pinion Pilot.....	Cylindrical Roller Bearing.....	□ MU1309TM19*	1
Pinion.....	Seal.....	30057	1
	<i>Speedi-Sleeve</i>	■ 99300	
Pinion Front Inner.....	Tapered Roller Bearing (Cone/Cup).....	H715343/H715311	1
Pinion Front Outer	Tapered Roller Bearing (Cone/Cup).....	H715334/H715311	1
Differential Right Hand	Tapered Roller Bearing (Cone/Cup).....	BR598/592-A	1
Differential Left Hand.....	Tapered Roller Bearing (Cone/Cup).....	BR52387/BR52618.....	1
Misc.	3 oz Silicone Blue	□ SEALANT	1

* Use MUS1309TM2 for 7.40 ratio (Not Included)

SDK64-FD

APPLICATIONS: EATON—34DS, 34DSA, 34DSB, 34DSC, 34DSD, 34DSE, 34RS, 38DS, 38DSA, 38DSB, 38DSC, 38DSD, 38DSE Conical Carrier (w/Tapered Input Shaft Brg.), 38RS

APPLICATION	DESCRIPTION	PART NUMBER	QUANTITY
Pinion Pilot.....	Cylindrical Roller Bearing.....	□ MUSB1307-UM	1
Pinion Front Inner/Outer.....	Tapered Roller Bearing (Cone/Cup).....	72200-C/BR72487	2
Output Shaft Rear.....	Cylindrical Roller Bearing.....	MA1209-TV.....	1
Output Shaft Front.....	Tapered Roller Bearing (Cone/Cup).....	BR34274/34492-A	1
Input/Output Shaft	Seal.....	26239.....	2
	<i>Speedi-Sleeve</i>	■ 99262	
Input/Output Shaft	Felt Seal.....	● 654.....	1
Input Shaft	Tapered Roller Bearing (Cone/Cup).....	JM207049/JM207010	1
Differential Right Hand	Tapered Roller Bearing (Cone/Cup).....	BR567/BR563.....	1
Differential Left Hand.....	Tapered Roller Bearing (Cone/Cup).....	BR497/BR493.....	1
Misc.	3 oz Silicone Blue	□ SEALANT	1

■ Use Speedi-Sleeves to repair grooved shafts (Not Included)

□ Not Sold Separately

● Not included in kit

DIFFERENTIAL KIT CONTENTS—Heavy Duty

SDK64-FE

APPLICATIONS: EATON—34DP, 34DPB, 34DPD, 34DPE, 34DS, 34DSA, 34DSB, 34DSC, 34DSD, 34DSE, 34DT, 34DTA, 34DTB, 34DTC, 34DTD, 34DTE, 34D3, 34D3B, 34D3C, 34D3D, 34D3E, 34RP, 34RS, 34RT, 34R3, 38DP, 38DPA, 38DPB, 38DPC, 38DPE, 38DS, 38DSA, 38DSB, 38DSC, 38DSD, 38DSE, 38DT, 38DTB, 38DTC, 38DTE, 38D3, 38D3C, 38D3E, 38RP, 38RS, 38RT, 38R3, 42DP, 42DPB, 42DPC, 42DT (w/Tapered Input Shaft Brg.), 42D3, 42RP, 42RT, 42R3

APPLICATION	DESCRIPTION	PART NUMBER	QUANTITY
Pinion Pilot.....	Cylindrical Roller Bearing.....	<input type="checkbox"/> MUSB1307-UM	1
Pinion Front Inner/Outer.....	Tapered Roller Bearing (Cone/Cup).....	72200-C/BR72487	2
Output Shaft Rear.....	Cylindrical Roller Bearing.....	MA1209-TV.....	1
Output Shaft Front.....	Tapered Roller Bearing (Cone/Cup).....	BR34274/34492-A	1
Input/Output Shaft	Seal.....	26239.....	2
	<i>Speedi-Sleeve</i>	<input checked="" type="checkbox"/> 99262	
Input/Output Shaft	Felt Seal.....	<input checked="" type="bullet"/> 654.....	1
Input Shaft	Tapered Roller Bearing (Cone/Cup).....	JM207049/JM207010	1
Differential Left Hand.....	Tapered Roller Bearing (Cone/Cup).....	BR497/BR493.....	1
Differential Right Hand	Tapered Roller Bearing (Cone/Cup).....	BR56425/BR56650.....	1
Misc.	3 oz Silicone Blue	<input type="checkbox"/> SEALANT	1

SDK72

APPLICATIONS: EATON— 0502, 0503, 19200, 19201, 19202, 19300, 19301, 19500, 19501, 19502, 19503, 19512, 19513, 19515, 20000, 20200, 20201, 20300, 20301, 20500, 20501, 20502, 20503, 23202, 23302, 9502, 9503, 9512

APPLICATION	DESCRIPTION	PART NUMBER	QUANTITY
Pinion Pilot.....	Cylindrical Roller Bearing.....	MUS1308-UM	1
Pinion.....	Seal.....	26239.....	1
	<i>Speedi-Sleeve</i>	<input checked="" type="checkbox"/> 99262	
Pinion.....	Felt Seal.....	<input checked="" type="bullet"/> 654.....	1
Pinion Front Inner/Outer.....	Tapered Roller Bearing (Cone/Cup).....	72212-C/BR72487	2
Differential Right Hand	Tapered Roller Bearing (Cone/Cup).....	BR42346/BR42584.....	1
Differential Left Hand.....	Tapered Roller Bearing (Cone/Cup).....	BR68450/BR68712*	1
Electric Shift.....	Ball Bearing.....	<input checked="" type="bullet"/> 6200-ZNRJ	1
Misc.	3 oz Silicone Blue	<input type="checkbox"/> SEALANT	1

* Use BR68450 cone with 27950 case; use BR68462 cone with 103537 case (Not Included)

SDK72-A

APPLICATIONS: EATON—RP440, RP460, RP480, RT440, RT460, RT480, 19220, 19221, 19320, 19321, 19420, 19421, 19426, 20220, 20221, 20320, 20321, 23220, 23221, 23320, 23321, 23420, 26220, 26221, 26320, 26321, 26420, 26426, 35327, 44DP, 44DT, 44RP, 44RT

APPLICATION	DESCRIPTION	PART NUMBER	QUANTITY
Pinion Pilot.....	Cylindrical Roller Bearing.....	MUS1308-UM	1
Pinion.....	Seal.....	29471.....	1
	<i>Speedi-Sleeve</i>	<input checked="" type="checkbox"/> 99293	
Pinion Front Inner.....	Tapered Roller Bearing (Cone/Cup).....	78215-C/BR78551	1
Pinion Front Outer.....	Tapered Roller Bearing (Cone/Cup).....	72212-C/BR72487	1
Differential Right Hand	Tapered Roller Bearing (Cone/Cup).....	BR42346/BR42584.....	1
Differential Left Hand.....	Tapered Roller Bearing (Cone/Cup).....	BR68450/BR68712*	1
Misc.	3 oz Silicone Blue	<input type="checkbox"/> SEALANT	1

* Use BR68450 cone with 27950 & 478997 cases; use BR68462 cone with 103530 & 103537 cases (Not Included)

Use Speedi-Sleeves to repair grooved shafts (Not Included) Not Sold Separately Not included in kit

DIFFERENTIAL KIT CONTENTS—Heavy Duty

SDK170

APPLICATIONS: GMC—T150, T170 (From 1966)

APPLICATION	DESCRIPTION	PART NUMBER	QUANTITY
Pinion Pilot.....	Cylindrical Roller Bearing.....	M5305-TV	1
Pinion (Exc. T150).....	Seal.....	25990*	1
	<i>Speedi-Sleeve</i>	■ 99259	
Pinion Front Outer	Tapered Roller Bearing (Cone/Cup).....	HM804848/HM804810.....	1
Pinion Front Inner	Tapered Roller Bearing (Cone/Cup).....	55200-C/BR55437	1
Differential Right Hand	Tapered Roller Bearing (Cone/Cup).....	BR33287/BR33472.....	1
Differential Left Hand.....	Tapered Roller Bearing (Cone/Cup).....	BR42381/BR42584.....	1
Electric Shift.....	Ball Bearing.....	● 6200-ZNRJ	1
Shift Rod.....	Seal.....	● 23030.....	1
Misc.	3 oz Silicone Blue	□ SEALANT	1

* For T150 use 25970 (Not Included)

SDK172-F

APPLICATIONS: ARVIN MERITOR—SSHD, STHD, SUHD with carrier 3200-M-585

APPLICATION	DESCRIPTION	PART NUMBER	QUANTITY
Pinion Front Inner.....	Tapered Roller Bearing (Cone/Cup).....	BR65237/BR65500.....	1
Pinion Front Outer	Tapered Roller Bearing (Cone/Cup).....	H715343/H715311	1
Output Shaft	Seal (2.750" Shaft).....	27558.....	1
	<i>Speedi-Sleeve</i>	■ 99274	
Output Shaft	Seal (3.000" Shaft).....	30057.....	1
	<i>Speedi-Sleeve</i>	■ 99300	
Output Shaft	Ball Bearing.....	6210-J.....	1
Input Shaft	Ball Bearing.....	6313-J.....	1
Differential Right/Left Hand	Tapered Roller Bearing (Cone/Cup).....	BR47890/BR47820.....	2
Drive Gear Front.....	Cylindrical Roller Bearing.....	MU1015-DX9.....	1
Misc.	3 oz Silicone Blue	□ SEALANT	1

SDK172-FA

APPLICATIONS: ARVIN MERITOR—ESQHD, SQHD

APPLICATION	DESCRIPTION	PART NUMBER	QUANTITY
Pinion Front Inner.....	Tapered Roller Bearing (Cone/Cup).....	BR65237/BR65500.....	1
Pinion Front Outer	Tapered Roller Bearing (Cone/Cup).....	H715343/H715311	1
Output Shaft	Seal (2.750" Shaft).....	27558.....	1
	<i>Speedi-Sleeve</i>	■ 99274	
Output Shaft	Seal (3.000" Shaft).....	30057.....	1
	<i>Speedi-Sleeve</i>	■ 99300	
Output Shaft	Ball Bearing.....	6210-J.....	1
Input Shaft	Ball Bearing.....	6313-A	1
Differential Right/Left Hand	Tapered Roller Bearing (Cone/Cup).....	BR47890/BR47820.....	2
Drive Gear Front.....	Cylindrical Roller Bearing.....	MU1015-DX9.....	1
Misc.	3 oz Silicone Blue	□ SEALANT	1

■ Use Speedi-Sleeves to repair grooved shafts (Not Included) □ Not Sold Separately ● Not included in kit

DIFFERENTIAL KIT CONTENTS—Heavy Duty

SDK172-FB

APPLICATIONS: ARVIN MERITOR— SSHD, STHD, SUHD (w/Tapered Output Shaft Brg.) with carriers 3200-R-1162, 3200-M-1235 & 3200-P-1420

APPLICATION	DESCRIPTION	PART NUMBER	QUANTITY
Pinion Front Outer	Tapered Roller Bearing (Cone/Cup).....	BR65237/BR65500	1
Pinion Front Inner	Tapered Roller Bearing (Cone/Cup).....	H715343/H715311	1
Output Shaft	Seal.....	27558	1
	<i>Speedi-Sleeve</i>	■ 99274	
Output Shaft	Tapered Roller Bearing (Cone/Cup).....	LM104949/JLM104910	2
Input Shaft (Exc. Dodge)	Seal.....	32410*	1
	<i>Speedi-Sleeve</i>	■ 99325	
Input Shaft	Tapered Roller Bearing (Cone/Cup).....	JH211749/JH211710	1
Inter-Axle Differential	Tapered Roller Bearing (Cone/Cup).....	JLM714149/JLM714110	1
Differential Right/Left Hand	Tapered Roller Bearing (Cone/Cup).....	BR47890/BR47820	2
Misc.	3 oz Silicone Blue	□ SEALANT	1

* For Dodge use 30057 (Not Included)

SDK172-R

APPLICATIONS: ARVIN MERITOR— H141, PRM258, PRM400, PRM408, PR250, PR250H, PR250P, PR251, PR251H, PR251P, PR300, PR305, PR311, PR350, PR352, PR400, PR400P, PR400W, PR408, PR500, PR502, PR502P, PR503, PSM350, PS300, PS300W, PS310, PS310W, R100, R100ADPH, R100AP, R100DH, R100DPA, R100DPH, R100P, R100, R110, R110AP, R110P, R110W, R112, R112W, R113, R114, R115, R120, R120P, R140, R140DH, R140P, R141, R143 (Exc. IHC w/Carrier Stamped L402), R143W, R164, SSSH, STHD, SUHD (Rear Unit), U140 (Late)

APPLICATION	DESCRIPTION	PART NUMBER	QUANTITY
Pinion Pilot.....	Cylindrical Roller Bearing.....	MU1308-UM	1
Pinion.....	Seal (Seal w/Retainer).....	27642*	1
	<i>Speedi-Sleeve</i>	■ 99274	
Pinion (SSHD, STHD & SUHD).....	Seal.....	● 27452.....	1
Pinion Front Inner	Tapered Roller Bearing (Cone/Cup).....	H715343/H715311	1
Pinion Front Outer	Tapered Roller Bearing (Cone/Cup).....	H715334/H715311	1
Differential Right/Left Hand	Tapered Roller Bearing (Cone/Cup).....	BR47890/BR47820	2
Misc.	3 oz Silicone Blue	□ SEALANT	1

* For R113W, R115 use 27601 (Not Included)

SDK187-R

APPLICATIONS: ARVIN MERITOR—STD (Rear Unit)

APPLICATION	DESCRIPTION	PART NUMBER	QUANTITY
Pinion Pilot.....	Cylindrical Roller Bearing.....	MR1212-EX	1
Pinion Front Outer	Tapered Roller Bearing (Cone/Cup).....	BR497/BR493.....	1
Pinion Front Inner	Tapered Roller Bearing (Cone/Cup).....	BR42350/BR42584	1
Pinion.....	Seal.....	30144	1
	<i>Speedi-Sleeve</i>	■ 99300	
Output Shaft	Seal.....	29961	1
	<i>Speedi-Sleeve</i>	■ 99300	
Crosshaft Right Hand	Tapered Roller Bearing (Cone/Cup).....	BR66225/BR66462	2
Crosshaft Left Hand.....	Cylindrical Roller Bearing.....	MU1218TDHM.....	1
Differential Right/Left Hand	Tapered Roller Bearing (Cone/Cup).....	HM516449-C/HM516410.....	2
Misc.	3 oz Silicone Blue	□ SEALANT	1

■ Use Speedi-Sleeves to repair grooved shafts (Not Included) □ Not Sold Separately ● Not included in kit

DIFFERENTIAL KIT CONTENTS—Heavy Duty

SDK192-FA

APPLICATIONS: IHC—RA351, RA355, RA386, RA387 Front Unit (Pinion cup O.D. is 4.8750")

APPLICATION	DESCRIPTION	PART NUMBER	QUANTITY
Pinion Pilot.....	Cylindrical Roller Bearing.....	<input type="checkbox"/> MUB1307-UM.....	1
Pinion Front Inner/Outer.....	Tapered Roller Bearing (Cone/Cup).....	72225-C/BR72487.....	2
Thrushaft.....	Seal.....	24988.....	1
	<i>Speedi-Sleeve</i>	<input checked="" type="checkbox"/> 99250.....	
Output Shaft.....	Ball Bearing.....	6210-J.....	1
Driveshaft.....	Tapered Roller Bearing (Cone/Cup).....	L610549/L610510.....	2
Input Shaft.....	Seal.....	30007.....	1
	<i>Speedi-Sleeve</i>	<input checked="" type="checkbox"/> 99300.....	
Input Shaft Rear.....	Ball Bearing.....	6022-ZNRJ.....	1
Input Shaft Front.....	Ball Bearing.....	6310-B.....	1
Idler Gear.....	Tapered Roller Bearing (Cone/Cup).....	BR25877/BR25821.....	2
Differential Right/Left Hand.....	Tapered Roller Bearing (Cone/Cup).....	BR47890/BR47820.....	2
Thrust Bearing Race.....	Needle Bearing Washer.....	TRA2840.....	2
Thrust Washer Shim.....	Needle Bearing.....	W2840.....	1
Misc.....	3 oz Silicone Blue.....	<input type="checkbox"/> SEALANT.....	1

SDK192-FB

APPLICATIONS: IHC—RA351, RA355, RA386, RA387 3rd Design Front Rear (Pinion cup O.D. is 4.8750")

APPLICATION	DESCRIPTION	PART NUMBER	QUANTITY
Pinion Pilot.....	Cylindrical Roller Bearing.....	<input type="checkbox"/> MUB1307-UM.....	1
Pinion.....	Seal.....	29872.....	1
	<i>Speedi-Sleeve</i>	<input checked="" type="checkbox"/> 99300.....	
Pinion Front Inner/Outer.....	Tapered Roller Bearing (Cone/Cup).....	72225-C/BR72487.....	2
Driveshaft.....	Tapered Roller Bearing (Cone/Cup).....	L610549/L610510.....	2
Idler Gear.....	Tapered Roller Bearing (Cone/Cup).....	BR25877/BR25821.....	2
Differential Right/Left Hand.....	Tapered Roller Bearing (Cone/Cup).....	BR47890/BR47820.....	2
Thrust Bearing Race.....	Needle Bearing Washer.....	TRA2840.....	2
Thrust Washer Shim.....	Needle Bearing.....	W2840.....	1
Thrushaft.....	Ball Bearing.....	6210-J.....	1
Thrushaft.....	Seal.....	24989.....	1
	<i>Speedi-Sleeve</i>	<input checked="" type="checkbox"/> 99250.....	
Input Shaft Front.....	Ball Bearing.....	6310-B.....	1
Input Shaft Rear.....	Ball Bearing.....	6022-ZNRJ.....	1
Misc.....	3 oz Silicone Blue.....	<input type="checkbox"/> SEALANT.....	1

SDK192-RB

APPLICATIONS: IHC—RA351, RA355, RA386, RA387 Rear Unit (w/4.875" Pinion Brg. O.D.), RA42, RA43, RA44, RA46, RA47, RA48 (w/4.875" Pinion Brg. O.D.)

APPLICATION	DESCRIPTION	PART NUMBER	QUANTITY
Pinion Pilot.....	Cylindrical Roller Bearing.....	<input type="checkbox"/> MUB1307-UM.....	1
Pinion.....	Seal (5.576" O.D.).....	30140*.....	1
	<i>Speedi-Sleeve</i>	<input checked="" type="checkbox"/> 99300.....	
Pinion Front Inner/Outer.....	Tapered Roller Bearing (Cone/Cup).....	72225-C/BR72487.....	2
Differential Right/Left Hand.....	Tapered Roller Bearing (Cone/Cup).....	BR47890/BR47820.....	2
Misc.....	3 oz Silicone Blue.....	<input type="checkbox"/> SEALANT.....	1

* For 4.008" O.D. use 29925 (Not Included)

Use Speedi-Sleeves to repair grooved shafts (Not Included) Not Sold Separately ● Not included in kit

DIFFERENTIAL KIT CONTENTS—Heavy Duty

SDK194-F

APPLICATIONS: ARVIN MERITOR—SLR100, SL100, SL100P, SQHP (Front Unit), SQ100, SQ100P

APPLICATION	DESCRIPTION	PART NUMBER	QUANTITY
Pinion Pilot.....	Cylindrical Roller Bearing.....	RU1570-UM.....	1
Pinion Front Inner/Outer.....	Tapered Roller Bearing (Cone/Cup).....	72212-C/BR72487.....	2
Pinion.....	Seal.....	30007.....	1
	<i>Speedi-Sleeve</i>	■ 99300	
Thrushaft.....	Seal.....	24964.....	1
	<i>Speedi-Sleeve</i>	■ 99250	
Thrushaft.....	Tapered Roller Bearing (Cone/Cup).....	● LM603049/LM603011.....	2
Input Shaft.....	Tapered Roller Bearing (Cone/Cup).....	JM511946/JM511910.....	1
Drive Gear Front.....	Tapered Roller Bearing (Cone/Cup).....	JLM710949/JLM710910.....	1
Differential Right/Left Hand.....	Tapered Roller Bearing (Cone/Cup).....	JM716649/JM716610.....	2
Misc.....	3 oz Silicone Blue.....	□ SEALANT.....	1

SDK194-RA

APPLICATIONS: ARVIN MERITOR—SQHP Rear Unit (Exc. GMC)

APPLICATION	DESCRIPTION	PART NUMBER	QUANTITY
Pinion.....	Seal.....	30153.....	1
	<i>Speedi-Sleeve</i>	■ 99300	
Pinion Front Inner.....	Tapered Roller Bearing (Cone/Cup).....	BR65237/BR65500.....	1
Pinion Front Outer.....	Tapered Roller Bearing (Cone/Cup).....	72225-C/BR72487.....	1
Differential Right/Left Hand.....	Tapered Roller Bearing (Cone/Cup).....	JM716649/JM716610.....	2
Misc.....	3 oz Silicone Blue.....	□ SEALANT.....	1

SDK194-RB

APPLICATIONS: ARVIN MERITOR—SLR100, SL100, SL100P, SQHP (Rear Unit), SQ100, SQ100P

APPLICATION	DESCRIPTION	PART NUMBER	QUANTITY
Pinion Pilot.....	Cylindrical Roller Bearing.....	RU1570-UM.....	1
Pinion.....	Seal.....	30153.....	1
	<i>Speedi-Sleeve</i>	■ 99300	
Pinion Front Inner/Outer.....	Tapered Roller Bearing (Cone/Cup).....	72212-C/BR72487.....	2
Differential Right/Left Hand.....	Tapered Roller Bearing (Cone/Cup).....	JM716649/JM716610.....	2
Misc.....	3 oz Silicone Blue.....	□ SEALANT.....	1

■ Use Speedi-Sleeves to repair grooved shafts (Not Included) □ Not Sold Separately ● Not included in kit

DIFFERENTIAL KIT CONTENTS—Heavy Duty

SDK196

APPLICATIONS: EATON—DS341, DS381, DS381P, DS401, DS401P, DS402, DS402P, DS451, DS451P

APPLICATION	DESCRIPTION	PART NUMBER	QUANTITY
Pinion Pilot.....	Cylindrical Roller Bearing.....	<input type="checkbox"/> MUSB1307-UM	1
Pinion Front Outer	Tapered Roller Bearing (Cone/Cup).....	HM807049/HM807010*	1
Pinion Front Inner	Tapered Roller Bearing (Cone/Cup).....	72218-C/BR72487*	1
Output Shaft Front.....	Tapered Roller Bearing (Cone/Cup).....	BR29675/BR29620	1
Output Shaft Rear.....	Cylindrical Roller Bearing.....	MA1209-TV	1
Thrushaft	Seal.....	26239	1
	<i>Speedi-Sleeve</i>	<input checked="" type="checkbox"/> 99262	
Input Shaft	Seal.....	29192	1
	<i>Speedi-Sleeve</i>	<input checked="" type="checkbox"/> 99293	
Input Shaft	Tapered Roller Bearing (Cone/Cup).....	BR3979/JM511910	1
Differential Left Hand.....	Tapered Roller Bearing (Cone/Cup).....	BR497/BR493	1
Differential Right Hand	Tapered Roller Bearing (Cone/Cup).....	BR567/BR563	1
Misc.	3 oz Silicone Blue	<input type="checkbox"/> SEALANT	1

* DS341 w/GMC (after 1985) use 55200-C/BR55437 (Not Included)
 Note: For Eaton DS341, DS402, DS451 built after 4/6/89 use SDK222-F

SDK200-F

APPLICATIONS: IHC—RA472 (Front Unit)

APPLICATION	DESCRIPTION	PART NUMBER	QUANTITY
Pinion Pilot.....	Cylindrical Roller Bearing.....	<input type="checkbox"/> MUB1307-UM	1
Pinion Front Inner/Outer	Tapered Roller Bearing (Cone/Cup).....	72225-C/BR72487	2
Thrushaft	Seal.....	29961	1
	<i>Speedi-Sleeve</i>	<input checked="" type="checkbox"/> 99300	
Output Shaft	Ball Bearing.....	6210-J	1
Input Shaft	Seal.....	30007	1
	<i>Speedi-Sleeve</i>	<input checked="" type="checkbox"/> 99300	
Power Divider Case Intermedial	Tapered Roller Bearing (Cone/Cup).....	BR28985/BR28921	1
Power Divider	Tapered Roller Bearing (Cone/Cup).....	JLM710949/JLM710910	2
Idler Gear.....	Tapered Roller Bearing (Cone/Cup).....	BR3877/BR3820	2
Differential Right/Left Hand	Tapered Roller Bearing (Cone/Cup).....	BR47890/BR47820	2
Power Divider Fr Side Gear Thrust Race..	Needle Bearing Washer	TRA4860	2
Power Divider Fr Side Gear Thrust..	Needle Bearing	W4860	1
Power Divider Intermedial Disc Rr..	Ball Bearing.....	XLS5-1/8-AF	1
Misc.	3 oz Silicone Blue	<input type="checkbox"/> SEALANT	1

Note: IHC RA472 for later design bearings use SDK200-FA

Use Speedi-Sleeves to repair grooved shafts (Not Included) Not Sold Separately ● Not included in kit

DIFFERENTIAL KIT CONTENTS—Heavy Duty

SDK200-FA

APPLICATIONS: IHC—RA472 (Front Unit) With Later Design Bearings

APPLICATION	DESCRIPTION	PART NUMBER	QUANTITY
Pinion Pilot.....	Cylindrical Roller Bearing.....	<input type="checkbox"/> MUB1307-UM.....	1
Pinion Front Inner/Outer.....	Tapered Roller Bearing (Cone/Cup).....	72225-C/BR72487.....	2
Thrushaft.....	Seal.....	29961.....	1
	<i>Speedi-Sleeve</i>	<input checked="" type="checkbox"/> 99300	
Output Shaft.....	Ball Bearing.....	6210-J.....	1
Input Shaft.....	Seal.....	30007.....	1
	<i>Speedi-Sleeve</i>	<input checked="" type="checkbox"/> 99300	
Power Divider Case Intermedial.....	Tapered Roller Bearing (Cone/Cup).....	BR28985/BR28921.....	1
Power Divider.....	Tapered Roller Bearing (Cone/Cup).....	JLM710949/JLM710910.....	2
Differential Right/Left Hand.....	Tapered Roller Bearing (Cone/Cup).....	BR47890/BR47820.....	2
Idler Gear.....	Tapered Roller Bearing (Cone/Cup).....	M802048/M802011.....	2
Power Divider Fr Side Gear Thrust Race..	Needle Bearing Washer.....	TRA4860.....	2
Power Divider Fr Side Gear Thrust..	Needle Bearing.....	W4860.....	1
Power Divider Intermedial Disc Rr..	Ball Bearing.....	XLS5-1/8-AF.....	1
Misc.....	3 oz Silicone Blue.....	<input type="checkbox"/> SEALANT.....	1

SDK201-F

APPLICATIONS: IHC— RA474 (Front Unit)

APPLICATION	DESCRIPTION	PART NUMBER	QUANTITY
Pinion Pilot.....	Cylindrical Roller Bearing.....	MU1308-UM.....	1
Pinion Front Inner.....	Tapered Roller Bearing (Cone/Cup).....	H715343/H715311.....	1
Pinion Front Outer.....	Tapered Roller Bearing (Cone/Cup).....	HM813844/HM813810.....	1
Thrushaft.....	Seal.....	29961.....	1
	<i>Speedi-Sleeve</i>	<input checked="" type="checkbox"/> 99300	
Output Shaft.....	Ball Bearing.....	6210-J.....	1
Input Shaft.....	Seal.....	30007.....	1
	<i>Speedi-Sleeve</i>	<input checked="" type="checkbox"/> 99300	
Power Divider Case Intermedial.....	Tapered Roller Bearing (Cone/Cup).....	BR28985/BR28921.....	1
Power Divider.....	Tapered Roller Bearing (Cone/Cup).....	JLM710949/JLM710910.....	2
Idler Gear.....	Tapered Roller Bearing (Cone/Cup).....	BR3877/BR3820.....	2
Differential Right/Left Hand.....	Tapered Roller Bearing (Cone/Cup).....	BR56425/BR56650.....	2
Power Divider Fr Side Gear Thrust Race..	Needle Bearing Washer.....	TRA4860.....	2
Power Divider Fr Side Gear Thrust..	Needle Bearing.....	W4860.....	1
Power Divider Intermedial Disc Rr..	Ball Bearing.....	XLS5-1/8-AF.....	1
Misc.....	3 oz Silicone Blue.....	<input type="checkbox"/> SEALANT.....	1

Note: IHC RA474 for later design bearings use SDK201-FA

Use Speedi-Sleeves to repair grooved shafts (Not Included) Not Sold Separately ● Not included in kit

DIFFERENTIAL KIT CONTENTS—Heavy Duty

SDK201-FA

APPLICATIONS: IHC—RA474 (Front Unit) with Involute Splines with Later Design Bearings

APPLICATION	DESCRIPTION	PART NUMBER	QUANTITY
Pinion Pilot.....	Cylindrical Roller Bearing.....	MU1308-UM	1
Pinion Front Inner	Tapered Roller Bearing (Cone/Cup).....	H715343/H715311	1
Pinion Front Outer	Tapered Roller Bearing (Cone/Cup).....	HM813844/HM813810.....	1
Thrushaft	Seal.....	29961.....	1
	<i>Speedi-Sleeve</i>	■ 99300	
Output Shaft	Ball Bearing.....	6210-J.....	1
Input Shaft	Seal.....	30007.....	1
	<i>Speedi-Sleeve</i>	■ 99300	
Power Divider Intermedial	Tapered Roller Bearing (Cone/Cup).....	BR28985/BR28921	1
Power Divider	Tapered Roller Bearing (Cone/Cup).....	JLM710949/JLM710910	2
Differential Right/Left Hand	Tapered Roller Bearing (Cone/Cup).....	BR56425/BR56650.....	2
Idler Gear.....	Tapered Roller Bearing (Cone/Cup).....	M802048/M802011	2
Power Divider Fr Side Gear Thrust Race.	Needle Bearing Washer	TRA4860.....	2
Power Divider Fr Side Gear Thrust..	Needle Bearing	W4860	1
Power Divider Intermedial Disc Rr..	Ball Bearing.....	XLS5-1/8-AF.....	1
Misc.	3 oz Silicone Blue	□ SEALANT	1

SDK201-R

APPLICATIONS: IHC—RA429, RA437, RA56, RA57 (w/5.00" Outer Pinion Brg. O.D.)

APPLICATION	DESCRIPTION	PART NUMBER	QUANTITY
Pinion Pilot.....	Cylindrical Roller Bearing.....	MU1308-UM	1
Pinion.....	Seal (5.576" O.D.).....	30140*	1
	<i>Speedi-Sleeve</i>	■ 99300	
Pinion Front Inner.....	Tapered Roller Bearing (Cone/Cup).....	H715343/H715311	1
Pinion Front Outer	Tapered Roller Bearing (Cone/Cup).....	HM813844/HM813810.....	1
Differential Right/Left Hand	Tapered Roller Bearing (Cone/Cup).....	BR56425/BR56650.....	2
Misc.	3 oz Silicone Blue	□ SEALANT	1

* For 4.008" O.D. use 29925 (Not Included)

SDK202

APPLICATIONS: COLEMAN—SD12, SD9, 9000 lb. FABCO - 12,000 lb. IHC - FA64, FA78, FA81 (Front Axle), RA25, RA26, RA30, RA31, RA32, RA33, RA34 (Rear Axle)

APPLICATION	DESCRIPTION	PART NUMBER	QUANTITY
Pinion Pilot.....	Cylindrical Roller Bearing (.9843" Shaft) ...	MU5205UM26**.....	1
Pinion.....	Seal (3.406" O.D.).....	23755*	1
	<i>Speedi-Sleeve</i>	■ 99237	
Pinion.....	Seal (4.504" O.D.).....	23806	1
	<i>Speedi-Sleeve</i>	■ 99237	
Pinion Front Inner/Outer	Tapered Roller Bearing (Cone/Cup).....	HM903249-A/HM903210	2
Differential Right/Left Hand	Tapered Roller Bearing (Cone/Cup).....	BR3984/BR3925.....	2
Misc.	3 oz Silicone Blue	□ SEALANT	1

* RA25 & RA30

** For 1.378" shaft use MU1307-UM (Not Included)

■ Use Speedi-Sleeves to repair grooved shafts (Not Included) □ Not Sold Separately ● Not included in kit

DIFFERENTIAL KIT CONTENTS—Heavy Duty

SDK203-F

APPLICATIONS: ARVIN MERITOR—SR170, SR270, SR280, SU170, SW170, SW270

APPLICATION	DESCRIPTION	PART NUMBER	QUANTITY
Pinion Pilot.....	Cylindrical Roller Bearing.....	<input type="checkbox"/> MU1309TM19**.....	1
Pinion Front Inner/Outer.....	Tapered Roller Bearing (Cone/Cup).....	78250-AC/BR78551.....	2
Thrushaft	Seal.....	29961.....	1
	<i>Speedi-Sleeve</i>	<input checked="" type="checkbox"/> 99300	
Thrushaft	Tapered Roller Bearing (Cone/Cup).....	385-A/382-A.....	2
Input Shaft Rear	Tapered Roller Bearing (Cone/Cup).....	JM515649/JM515610	1
Input Shaft	Seal.....	32410.....	1
	<i>Speedi-Sleeve</i>	<input checked="" type="checkbox"/> 99325	
Input Shaft Front.....	Tapered Roller Bearing (Cone/Cup).....	HM813841/HM813810*	1
Input Shaft (GMC)	Seal.....	<input checked="" type="checkbox"/> 30144.....	1
	<i>Speedi-Sleeve</i>	<input checked="" type="checkbox"/> 99300	
Differential Left Hand.....	Tapered Roller Bearing (Cone/Cup).....	BR52387/BR52618.....	1
Differential Right Hand	Tapered Roller Bearing (Cone/Cup).....	BR598/592-A	1
Oil Pump Idler Gear.....	Double Row Ball Bearing	5204-A	1
Misc.	3 oz Silicone Blue	<input type="checkbox"/> SEALANT	1

* With Carrier 3200-X-1324 use HM813844/HM813810 (Not Included)

** Use MUS1309TM2 with 7.40 ratio (Not Included)

SDK205

APPLICATIONS: MACK—CRD113 (w/11KH5341, 11KH5342), CRD93 (w/11KH5326, 11KH5327, 11KH5330)

APPLICATION	DESCRIPTION	PART NUMBER	QUANTITY
Pinion.....	Seal.....	27565.....	1
	<i>Speedi-Sleeve</i>	<input checked="" type="checkbox"/> 99274	
Pinion Front Inner.....	Tapered Roller Bearing (Cone/Cup).....	BR5760/BR5735.....	1
Pinion Front Outer	Tapered Roller Bearing (Cone/Cup).....	557-S/552-A.....	1
Crosshaft Right Hand	Tapered Roller Bearing (Cone/Cup).....	BR621/BR612*	1
Crosshaft Left Hand.....	Tapered Roller Bearing (Cone/Cup).....	H715345/H715313-W	1
Differential Left Hand.....	Tapered Roller Bearing (Cone/Cup).....	HM516448/HM516414-B	1
Differential Right Hand	Tapered Roller Bearing (Cone/Cup).....	BR47687/47623-A	1
Misc.	O-Ring Set	<input type="checkbox"/> OK-205	1
Misc.	3 oz Silicone Blue	<input type="checkbox"/> SEALANT	1

* For models thru 1974 use BR624/BR612 (Not Included)

Use Speedi-Sleeves to repair grooved shafts (Not Included) Not Sold Separately Not included in kit

DIFFERENTIAL KIT CONTENTS—Heavy Duty

SDK206

APPLICATIONS: MACK—CRDLP92, CRDPC112, CRDPC92

APPLICATION	DESCRIPTION	PART NUMBER	QUANTITY
Pinion Front Outer	Tapered Roller Bearing (Cone/Cup).....	BR497/492-A	1
Pinion Front Inner	Tapered Roller Bearing (Cone/Cup).....	BR576/BR572.....	1
Thrushaft	Seal.....	27558.....	1
	<i>Speedi-Sleeve</i>	■ 99274	
Drive Gear Front.....	Max Ball Bearing.....	211-J	1
Input Shaft.....	Max Ball Bearing.....	213-NRJ.....	1
Input Shaft.....	Seal.....	34891.....	1
	<i>Speedi-Sleeve</i>	■ 99350	
Differential Right Hand	Tapered Roller Bearing (Cone/Cup).....	BR47687/47623-A	1
Differential Left Hand.....	Tapered Roller Bearing (Cone/Cup).....	HM516448/HM516414-B	1
Crossshaft Right Hand	Tapered Roller Bearing (Cone/Cup).....	BR621/BR612*	1
Crossshaft Left Hand.....	Tapered Roller Bearing (Cone/Cup).....	H715345/H715313-W	1
Misc.	O-Ring Set	□ OK-206	1
Misc.	3 oz Silicone Blue	□ SEALANT	1

* For models thru 1974 use BR624/BR612 (Not Included)

Note: CRDPPC92 (11KH5318, 11KH5319), CRDLP92 (11KH5313), CRDPC112 (KH5334) use different Gaskets & O-Rings not packaged in this kit

SDK207

APPLICATIONS: EATON—DP341, DP381, DP381P, DP401, DP401P, DP402, DP402P, DT341, DT381, DT381P, DT401, DT401P, DT402, DT402P, DT451, DT451P, D341, D381, D381P, D401, D401P

APPLICATION	DESCRIPTION	PART NUMBER	QUANTITY
Pinion Pilot.....	Cylindrical Roller Bearing.....	□ MUSB1307-UM	1
Pinion Front Outer	Tapered Roller Bearing (Cone/Cup).....	HM807049/HM807010.....	1
Pinion Front Inner	Tapered Roller Bearing (Cone/Cup).....	72218-C/BR72487	1
Thrushaft	Seal.....	26239.....	1
	<i>Speedi-Sleeve</i>	■ 99262	
Output Shaft Rear.....	Cylindrical Roller Bearing.....	MA1209-TV.....	1
Output Shaft Front.....	Tapered Roller Bearing (Cone/Cup).....	BR29675/BR29620.....	1
Input Shaft	Seal.....	29192.....	1
	<i>Speedi-Sleeve</i>	■ 99293	
Input Shaft	Tapered Roller Bearing (Cone/Cup).....	BR3979/JM511910	1
Differential Left Hand.....	Tapered Roller Bearing (Cone/Cup).....	BR497/BR493.....	1
Differential Right Hand	Tapered Roller Bearing (Cone/Cup).....	BR56425/BR56650.....	1
Misc.	3 oz Silicone Blue	□ SEALANT	1

■ Use Speedi-Sleeves to repair grooved shafts (Not Included) □ Not Sold Separately ● Not included in kit

DIFFERENTIAL KIT CONTENTS—Heavy Duty

SDK208

APPLICATIONS: EATON—DP460, DS440P, DS460P, DS461P, DS480P, DS521P, RS440, 44DS, 44RS

APPLICATION	DESCRIPTION	PART NUMBER	QUANTITY
Pinion Front	Cylindrical Roller Bearing.....	MU1309-CX.....	1
Pinion Pilot.....	Cylindrical Roller Bearing.....	MUS1308-UM.....	1
Pinion Front Inner/Outer	Tapered Roller Bearing (Cone/Cup).....	72212-C/BR72487	2
Output Shaft Rear.....	Cylindrical Roller Bearing.....	MA1211-UV	1
Output Shaft Front.....	Tapered Roller Bearing (Cone/Cup).....	BR33275/BR33472.....	1
Thrushaft	Seal.....	29192.....	1
	<i>Speedi-Sleeve</i>	■ 99293	
Input Shaft	Seal.....	33699.....	1
	<i>Speedi-Sleeve</i>	■ 99337	
Input Shaft	Tapered Roller Bearing (Cone/Cup).....	JM511946/JM511910*	1
Differential Left Hand.....	Tapered Roller Bearing (Cone/Cup).....	BR42381/BR42584.....	1
Differential Right Hand	Tapered Roller Bearing (Cone/Cup).....	BR665/BR653.....	1
Misc.	3 oz Silicone Blue	□ SEALANT	1

* For models before 8/81 use 6313-J (Not Included)

SDK210

APPLICATIONS: EATON—DP440P, DP480P, DP485P, DT440P, DT460P, DT480P, DT485P

APPLICATION	DESCRIPTION	PART NUMBER	QUANTITY
Pinion Front	Cylindrical Roller Bearing.....	MU1309-CX.....	1
Pinion Pilot Rear.....	Cylindrical Roller Bearing.....	MUS1308-UM.....	1
Pinion Front Inner/Outer	Tapered Roller Bearing (Cone/Cup).....	72212-C/BR72487	2
Output Shaft Front.....	Tapered Roller Bearing (Cone/Cup).....	BR33275/BR33472.....	1
Thrushaft	Seal.....	29192.....	1
	<i>Speedi-Sleeve</i>	■ 99293	
Output Shaft Rear.....	Cylindrical Roller Bearing.....	MA1211-UV	1
Input Shaft	Seal.....	33699.....	1
	<i>Speedi-Sleeve</i>	■ 99337	
Input Shaft	Tapered Roller Bearing (Cone/Cup).....	JM511946/JM511910**	1
Differential Left Hand.....	Tapered Roller Bearing (Cone/Cup).....	BR42346/BR42584.....	1
Differential Right Hand	Tapered Roller Bearing (Cone/Cup).....	BR68462/BR68712*	1
Misc.	3 oz Silicone Blue	□ SEALANT	1

* With Carrier 78997 use BR68450/BR68712 (Not Included)

** Exc. Carrier 78997 use 6313-J before 8/81 (Not Included)

■ Use Speedi-Sleeves to repair grooved shafts (Not Included) □ Not Sold Separately ● Not included in kit

DIFFERENTIAL KIT CONTENTS—Heavy Duty

SDK211-F

APPLICATIONS: EATON—DP521P, DP601P, DP651P, DT521P, DT601P, DT651P, RP550

APPLICATION	DESCRIPTION	PART NUMBER	QUANTITY
Pinion Front Inner/Outer	Tapered Roller Bearing (Cone/Cup).....	72212-C/BR72487	2
Pinion Front	Cylindrical Roller Bearing.....	MU1309-CX	1
Pinion Pilot.....	Cylindrical Roller Bearing.....	MUS1308-UM	1
Output Shaft Rear.....	Cylindrical Roller Bearing.....	MA1211-UV	1
Output Shaft Front.....	Tapered Roller Bearing (Cone/Cup).....	BR33275/BR33472.....	1
Thrushaft	Seal.....	29192.....	1
	<i>Speedi-Sleeve</i>	■ 99293	
Input Shaft	Seal.....	33699.....	1
	<i>Speedi-Sleeve</i>	■ 99337	
Input Shaft	Tapered Roller Bearing (Cone/Cup).....	JM511946/JM511910.....	1
Differential Right Hand	Tapered Roller Bearing (Cone/Cup).....	BR68462/BR68712*	1
Differential Left Hand.....	Tapered Roller Bearing (Cone/Cup).....	BR42381/BR42584.....	1
Misc.	3 oz Silicone Blue	□ SEALANT	1

* Exc. Carrier 78997. With Carrier 78997 use BR68450/BR68712. (Not Included)

SDK214

APPLICATIONS: SPICER —M185-T, M190-S, M190-T, M200-S, M210-T, M220-S, M230-T

APPLICATION	DESCRIPTION	PART NUMBER	QUANTITY
Pinion Pilot.....	Cylindrical Roller Bearing.....	MUS1308-UM	1
Pinion.....	Seal.....	30100.....	1
	<i>Speedi-Sleeve</i>	■ 99300	
Pinion Front Outer	Tapered Roller Bearing (Cone/Cup).....	55200-C/BR55437	1
Pinion Front Inner	Tapered Roller Bearing (Cone/Cup).....	72225-C/BR72487*.....	1
Differential Left Hand.....	Tapered Roller Bearing (Cone/Cup).....	JM822049/JM822010	1
Differential Right Hand	Tapered Roller Bearing (Cone/Cup).....	JM716649/JM716610	1
Misc.	3 oz Silicone Blue	□ SEALANT	1

* For I.H. use 55200-C/BR55437

SDK216

APPLICATIONS: ARVIN MERITOR—RS17220, RS19220

APPLICATION	DESCRIPTION	PART NUMBER	QUANTITY
Pinion Pilot.....	Cylindrical Roller Bearing.....	RU1570-UM.....	1
Pinion.....	Seal.....	25106.....	1
	<i>Speedi-Sleeve</i>	■ 99250	
Pinion Front Outer	Tapered Roller Bearing (Cone/Cup).....	M804049/M804010.....	1
Pinion Front Inner.....	Tapered Roller Bearing (Cone/Cup).....	55200-C/BR55437	1
Differential Right Hand	Tapered Roller Bearing (Cone/Cup).....	JLM714149/JLM714110	1
Differential Left Hand.....	Tapered Roller Bearing (Cone/Cup).....	BR42381/BR42584.....	1
Misc.	3 oz Silicone Blue	□ SEALANT	1

■ Use Speedi-Sleeves to repair grooved shafts (Not Included) □ Not Sold Separately ● Not included in kit

DIFFERENTIAL KIT CONTENTS—Heavy Duty

SDK217-F

APPLICATIONS: ARVIN MERITOR—RD17145, RD20145, RD22145, RP20145, RP22145. Before 11/93

APPLICATION	DESCRIPTION	PART NUMBER	QUANTITY
Pinion Front Outer	Tapered Roller Bearing (Cone/Cup).....	72212-C/BR72487	1
Pinion Front Inner	Tapered Roller Bearing (Cone/Cup).....	H715334/H715311	1
Output Shaft	Tapered Roller Bearing (Cone/Cup).....	LM104949/JLM104910	2
Input/Thrushaft	Seal.....	30007	2
	<i>Speedi-Sleeve</i>	■ 99300	
Input Shaft Rear	Tapered Roller Bearing (Cone/Cup).....	JLM710949/JLM710910	1
Input Shaft Front.....	Tapered Roller Bearing (Cone/Cup).....	JM511946/JM511910	1
Differential Right/Left Hand	Tapered Roller Bearing (Cone/Cup).....	JM716649/JM716610	2
Misc.	3 oz Silicone Blue	□ SEALANT	1
Misc.	O-Ring.....	□ 5X1034	2

SDK217-R

APPLICATIONS: ARVIN MERITOR—RR17145, RR20140, RR20145, RR22145, RS16141, RS17141, RS17145, RS19145, RS21145

APPLICATION	DESCRIPTION	PART NUMBER	QUANTITY
Pinion Pilot.....	Cylindrical Roller Bearing.....	RU1570-UM	1
Pinion Front Outer	Tapered Roller Bearing (Cone/Cup).....	55206-C/BR55437	1
Pinion Front Inner.....	Tapered Roller Bearing (Cone/Cup).....	72212-C/BR72487	1
Pinion.....	Seal.....	30153.....	1
	<i>Speedi-Sleeve</i>	■ 99300	
Differential Right/Left Hand	Tapered Roller Bearing (Cone/Cup).....	JM716649/JM716610	2
Misc.	3 oz Silicone Blue	□ SEALANT	1

SDK218

APPLICATIONS: ARVIN MERITOR—RS13120, RS15120

APPLICATION	DESCRIPTION	PART NUMBER	QUANTITY
Pinion Pilot.....	Cylindrical Roller Bearing.....	MU1305UM18.....	1
Pinion.....	Seal.....	25106.....	1
	<i>Speedi-Sleeve</i>	■ 99250	
Pinion Front Outer	Tapered Roller Bearing (Cone/Cup).....	HM804846/HM804810.....	1
Pinion Front Inner.....	Tapered Roller Bearing (Cone/Cup).....	55200-C/BR55437	1
Differential Right Hand	Tapered Roller Bearing (Cone/Cup).....	BR34306/BR34478.....	1
Differential Left Hand.....	Tapered Roller Bearing (Cone/Cup).....	BR3994/JM511910	1
Misc.	3 oz Silicone Blue	□ SEALANT	1

■ Use Speedi-Sleeves to repair grooved shafts (Not Included) □ Not Sold Separately ● Not included in kit

DIFFERENTIAL KIT CONTENTS—Heavy Duty

SDK219-R

APPLICATIONS: EATON—DS440P, RP461, RP521, RP601, RP651, RS440 (w/Controlled Traction), RS480 (w/Controlled Traction), RT461, RT521, RT601, RT651

APPLICATION	DESCRIPTION	PART NUMBER	QUANTITY
Pinion Pilot.....	Cylindrical Roller Bearing.....	MUS1308-UM.....	1
Pinion.....	Seal.....	29471.....	1
	<i>Speedi-Sleeve</i>	■ 99293	
Pinion Front Outer.....	Tapered Roller Bearing (Cone/Cup).....	72212-C/BR72487.....	1
Pinion Front Inner.....	Tapered Roller Bearing (Cone/Cup).....	78215-C/BR78551.....	1
Differential Left Hand.....	Tapered Roller Bearing (Cone/Cup).....	BR68462/BR68712*.....	1
Differential Right Hand.....	Tapered Roller Bearing (Cone/Cup).....	BR42381/BR42584.....	1
Misc.....	3 oz Silicone Blue.....	□ SEALANT.....	1

* Use BR68450/BR68712 w/Support Case 27950

SDK221

APPLICATIONS: EATON —19050S

APPLICATION	DESCRIPTION	PART NUMBER	QUANTITY
Pinion Pilot.....	Cylindrical Roller Bearing.....	RUB1570-UM.....	1
Pinion.....	Seal.....	26373.....	1
	<i>Speedi-Sleeve</i>	■ 99262	
Pinion Front Inner.....	Tapered Roller Bearing (Cone/Cup).....	72200-C/BR72487.....	1
Pinion Front Outer.....	Tapered Roller Bearing (Cone/Cup).....	HM903249/HM903210.....	1
Differential Right Hand.....	Tapered Roller Bearing (Cone/Cup).....	BR3994/BR3920.....	1
Differential Left Hand.....	Tapered Roller Bearing (Cone/Cup).....	BR497/BR493.....	1
Misc.....	3 oz Silicone Blue.....	□ SEALANT.....	1

SDK222-F

APPLICATIONS: EATON—DS341, DS402, DS451 Built After 4/06/89

APPLICATION	DESCRIPTION	PART NUMBER	QUANTITY
Pinion Front Outer.....	Tapered Roller Bearing (Cone/Cup).....	HM807049/HM807010.....	1
Pinion Front Inner.....	Tapered Roller Bearing (Cone/Cup).....	72218-C/BR72487.....	1
Pinion Pilot.....	Cylindrical Roller Bearing.....	□ MUSB1307-UM.....	1
Thrushaft.....	Seal.....	26239.....	1
	<i>Speedi-Sleeve</i>	■ 99262	
Output Shaft Rear.....	Cylindrical Roller Bearing.....	MA1209-TV.....	1
Output Shaft Front.....	Tapered Roller Bearing (Cone/Cup).....	BR29675/BR29620.....	1
Input Shaft.....	Seal.....	29192.....	1
	<i>Speedi-Sleeve</i>	■ 99293	
Input Shaft.....	Tapered Roller Bearing (Cone/Cup).....	BR3979/JM511910.....	1
Differential Left Hand.....	Tapered Roller Bearing (Cone/Cup).....	BR497/BR493.....	1
Differential Right Hand.....	Tapered Roller Bearing (Cone/Cup).....	BR567/BR563.....	1
Misc.....	3 oz Silicone Blue.....	□ SEALANT.....	1

■ Use Speedi-Sleeves to repair grooved shafts (Not Included) □ Not Sold Separately ● Not included in kit

DIFFERENTIAL KIT CONTENTS—Heavy Duty

SDK222-R

APPLICATIONS: EATON—RS341, RS402, RS451 Built After 4/06/89

APPLICATION	DESCRIPTION	PART NUMBER	QUANTITY
Pinion Pilot.....	Cylindrical Roller Bearing.....	<input type="checkbox"/> MUSB1307-UM	1
Pinion.....	Seal.....	26373.....	1
	<i>Speedi-Sleeve</i>	<input checked="" type="checkbox"/> 99262	
Pinion Front Outer.....	Tapered Roller Bearing (Cone/Cup).....	55200-C/BR55437	1
Pinion Front Inner.....	Tapered Roller Bearing (Cone/Cup).....	72200-C/BR72487	1
Differential Right Hand	Tapered Roller Bearing (Cone/Cup).....	BR497/BR493.....	1
Differential Left Hand.....	Tapered Roller Bearing (Cone/Cup).....	BR567/BR563.....	1
Misc.	3 oz Silicone Blue	<input type="checkbox"/> SEALANT	1

SDK223-F

APPLICATIONS: DANA—N400 Front

APPLICATION	DESCRIPTION	PART NUMBER	QUANTITY
Pinion Pilot.....	Cylindrical Roller Bearing.....	RU1570-UM.....	1
Pinion.....	Seal.....	25005.....	1
	<i>Speedi-Sleeve</i>	<input checked="" type="checkbox"/> 99250	
Pinion Front Inner/Outer.....	Tapered Roller Bearing (Cone/Cup).....	72225-C/BR72487	2
Output Shaft	Tapered Roller Bearing (Cone/Cup).....	<input type="checkbox"/> A1400	1
Input Shaft	Tapered Roller Bearing (Cone/Cup).....	HM807049/HM807010.....	1
Thrushaft	Seal.....	29925.....	1
	<i>Speedi-Sleeve</i>	<input checked="" type="checkbox"/> 99300	
Inter Axle.....	Tapered Roller Bearing (Cone/Cup).....	JLM710949/JLM710910	1
Input Gear.....	Needle Bearing	<input type="checkbox"/> J3624.....	1
Differential Right/Left Hand	Tapered Roller Bearing (Cone/Cup).....	BR495/BR493.....	2
Misc.	O-Ring.....	<input type="checkbox"/> OR-230	1
Misc.	3 oz Silicone Blue	<input type="checkbox"/> SEALANT	1

SDK223-R

APPLICATIONS: DANA—N400 Rear

APPLICATION	DESCRIPTION	PART NUMBER	QUANTITY
Pinion Pilot.....	Cylindrical Roller Bearing.....	RU1570-UM.....	1
Pinion.....	Seal.....	30140.....	1
	<i>Speedi-Sleeve</i>	<input checked="" type="checkbox"/> 99300	
Pinion Front Inner/Outer.....	Tapered Roller Bearing (Cone/Cup).....	72225-C/BR72487	2
Differential Right/Left Hand	Tapered Roller Bearing (Cone/Cup).....	BR495/BR493.....	2
Misc.	3 oz Silicone Blue	<input type="checkbox"/> SEALANT	1

Use Speedi-Sleeves to repair grooved shafts (Not Included)
 Not Sold Separately
 Not included in kit

DIFFERENTIAL KIT CONTENTS—Heavy Duty

SDK402

APPLICATIONS: EATON—23105S, 26105S, 30105S

APPLICATION	DESCRIPTION	PART NUMBER	QUANTITY
Pinion Pilot.....	Cylindrical Roller Bearing.....	MU1309-GUM.....	1
Pinion.....	Seal.....	30153.....	1
	<i>Speedi-Sleeve</i>	■ 99300	
Pinion Inner	Tapered Roller Bearing (Cone/Cup).....	H914841/H914811	1
Pinion Outer.....	Tapered Roller Bearing (Cone/Cup).....	HM813841/HM813810.....	1
Differential Left Hand.....	Tapered Roller Bearing (Cone/Cup).....	BR52400/BR52618	1
Differential Right Hand	Tapered Roller Bearing (Cone/Cup).....	JM822049/JM822010	1
Misc.	3 oz Silicone Blue	□ SEALANT	1

SDK404-F

APPLICATIONS: EATON— DA/DS 344, 404(P), 405(P), 454(P) Tandem Front. For DD404, DD404(P) & DD454 use BR42362 cone & BR42584 cup for RH differential (Not Included).

APPLICATION	DESCRIPTION	PART NUMBER	QUANTITY
Pinion Pilot.....	Cylindrical Roller Bearing.....	□ MUB1307-UM.....	1
Pinion Outer.....	Tapered Roller Bearing (Cone/Cup).....	55212-C/BR55437	1
Pinion Inner	Tapered Roller Bearing (Cone/Cup).....	72218-C/BR72487	1
Thrushaft	Seal.....	26762.....	1
Input Shaft	Seal.....	29528.....	1
Input V-Ring.....	Seal.....	401300.....	1
Input Shaft	Tapered Roller Bearing (Cone/Cup).....	555-S/552-A.....	1
Output Shaft	Tapered Roller Bearing (Cone/Cup).....	BR29675/BR29630.....	1
Differential Left Hand.....	Tapered Roller Bearing (Cone/Cup).....	BR497/BR493.....	1
Differential Right Hand	Tapered Roller Bearing (Cone/Cup).....	BR567/BR563.....	1
Misc.	3 oz Silicone Blue	□ SEALANT	1

SDK404-R

APPLICATIONS: EATON— RA/RS 344, 404, 405, 454 Tandem Rear. For 19060D, 21060D, 22060D, RD404/405/454 use BR42362 cone & BR42584 cup for LH differential (Not Included).

APPLICATION	DESCRIPTION	PART NUMBER	QUANTITY
Pinion Pilot.....	Cylindrical Roller Bearing.....	□ MUB7307-UM.....	1
Pinion.....	Seal.....	29528.....	1
Pinion Outer.....	Tapered Roller Bearing (Cone/Cup).....	55200-C/BR55437	1
Pinion Inner	Tapered Roller Bearing (Cone/Cup).....	72212-C/BR72487	1
Differential Right Hand	Tapered Roller Bearing (Cone/Cup).....	BR497/BR493.....	1
Differential Left Hand.....	Tapered Roller Bearing (Cone/Cup).....	BR567/BR563.....	1
Misc.	3 oz Silicone Blue	□ SEALANT	1

■ Use Speedi-Sleeves to repair grooved shafts (Not Included) □ Not Sold Separately ● Not included in kit

DIFFERENTIAL KIT CONTENTS—Heavy Duty

SDK900-F

APPLICATIONS: ARVIN MERITOR—ELHD, EQHD, ERLHD, ERQHD, ESQHD, SLHD, SQHD

APPLICATION	DESCRIPTION	PART NUMBER	QUANTITY
Pinion Pilot.....	Cylindrical Roller Bearing.....	RU1570-UM.....	1
Pinion Front Inner/Outer.....	Tapered Roller Bearing (Cone/Cup).....	72200-C/BR72487.....	2
Input Shaft.....	Seal.....	29273.....	1
	<i>Speedi-Sleeve</i>	■ 99293	
Thrushaft.....	Tapered Roller Bearing (Cone/Cup).....	● LM603049/LM603011.....	1
Thrushaft.....	Seal.....	● 27295	
	<i>Speedi-Sleeve</i>	■ 99274	
Input Shaft.....	Ball Bearing.....	6211-J.....	1
Idler Gear.....	Tapered Roller Bearing (Cone).....	BR31597.....	2
Idler Gear.....	Tapered Roller Bearing (Cup).....	● BR31520.....	1
Drive Gear Front/Rear.....	Tapered Roller Bearing (Cone/Cup).....	BR29675/BR29630.....	2
Differential Right Hand.....	Tapered Roller Bearing (Cone/Cup).....	BR496/BR493.....	1
Differential Left Hand.....	Tapered Roller Bearing (Cone/Cup).....	BR497/BR493*.....	1
Misc.....	3 oz Silicone Blue.....	□ SEALANT.....	1

* Use BR496/BR493 for ratios above 4.63:1

SDK900-FA

APPLICATIONS: ARVIN MERITOR—ELHD, EQHD, ERLHD, ERQHD, ESQHD, SLHD, SQHD Center Unit (To 4.63:1 Ratio w/1.375" Pinion Rear Brg.)

APPLICATION	DESCRIPTION	PART NUMBER	QUANTITY
Pinion Front Inner/Outer.....	Tapered Roller Bearing (Cone/Cup).....	72200-C/BR72487.....	2
Pinion Pilot.....	Cylindrical Roller Bearing.....	RU1570-UM.....	1
Pinion.....	Seal.....	27295.....	1
	<i>Speedi-Sleeve</i>	■ 99274	
Input Shaft.....	Seal.....	29273.....	1
Thrushaft.....	Tapered Roller Bearing Set.....	BR37.....	2
Input Shaft.....	Ball Bearing.....	6211-J.....	1
Idler Gear.....	Tapered Roller Bearing (Cone/Cup).....	BR31597/BR31520.....	2
Drive Gear Front/Rear.....	Tapered Roller Bearing (Cone/Cup).....	BR29675/BR29630.....	2
Differential Right Hand.....	Tapered Roller Bearing (Cone/Cup).....	BR496/BR493.....	2
Differential Left Hand.....	Tapered Roller Bearing (Cone/Cup).....	BR497/BR493*.....	1
Misc.....	3 oz Silicone Blue.....	□ SEALANT.....	1

* Use BR496/BR493 for ratios above 4.63:1

SDK1910

APPLICATIONS: ARVIN MERITOR—SFDD4640

APPLICATION	DESCRIPTION	PART NUMBER	QUANTITY
Pinion Rear.....	Cylindrical Roller Bearing.....	MR1213-TV.....	1
Pinion.....	Seal.....	30055.....	2
	<i>Speedi-Sleeve</i>	■ 99300	
Pinion Front Inner/Outer.....	Tapered Roller Bearing (Cone/Cup).....	BR42350/BR42584.....	2
Crosshaft Right Hand.....	Tapered Roller Bearing (Cone/Cup).....	BR632/BR641.....	2
Differential Right/Left Hand.....	Tapered Roller Bearing (Cone/Cup).....	BR683/BR672.....	2
Crosshaft Left Hand.....	Cylindrical Roller Bearing.....	MU1221-TM.....	1
Misc.....	3 oz Silicone Blue.....	□ SEALANT.....	1

■ Use Speedi-Sleeves to repair grooved shafts (Not Included) □ Not Sold Separately ● Not included in kit

DIFFERENTIAL KIT CONTENTS—Heavy Duty

SDK4360

APPLICATIONS: ARVIN MERITOR—RS15210 with carrier 3200-H-1568.

APPLICATION	DESCRIPTION	PART NUMBER	QUANTITY
Pinion Pilot.....	Cylindrical Roller Bearing.....	MU1305UM18.....	1
Pinion.....	Seal.....	25102.....	1
	<i>Speedi-Sleeve</i>	■ 99250	
Pinion Outer.....	Tapered Roller Bearing (Cone/Cup).....	M804049/M804010.....	1
Pinion Inner	Tapered Roller Bearing (Cone/Cup).....	55200-C/BR55437	1
Differential Right Hand	Tapered Roller Bearing (Cone/Cup).....	JLM714149/JLM714110	1
Differential Left Hand.....	Tapered Roller Bearing (Cone/Cup).....	JP10049/JP10010-A.....	1
Misc.5 ml Thread Locker	□ TL1	1
Misc.	3 oz Silicone Blue	□ SEALANT	1

SDK4390

APPLICATIONS: ARVIN MERITOR—RS17144, RS19144, RS21145, RT34144, RT40145 & RT44145 tandem rear. Carriers 3200-M-1547, 3200-X-1558, 3200-G-1879 & 3200-F-1904.

APPLICATION	DESCRIPTION	PART NUMBER	QUANTITY
Pinion Pilot.....	Cylindrical Roller Bearing.....	RU1570-UM.....	1
Pinion.....	Seal.....	30145.....	1
	<i>Speedi-Sleeve</i>	■ 99300	
Pinion Outer.....	Tapered Roller Bearing (Cone/Cup).....	55206-C/BR55437	1
Pinion Inner	Tapered Roller Bearing (Cone/Cup).....	72212-C/BR72487	1
Differential Left Hand.....	Tapered Roller Bearing (Cone/Cup).....	JP10049/JP10010	1
Differential Right Hand	Tapered Roller Bearing (Cone/Cup).....	JM716649/JM716610	1
Misc.5 ml Thread Locker	□ TL1	1
Misc.	3 oz Silicone Blue	□ SEALANT	1

SDK4395

APPLICATIONS: ARVIN MERITOR—RT34145, RT40145, RT44145, RD17145, RD20145, RD22145, RP17145, RP20145 & RP22145 tandem forward with standard & no spin differential. Before 11/93. Carriers 3200-G-1645, 3200-X-1662, 3200-T-1814, 3200-V-1816, 3200-N-1860 & 3200-B-1874. Note - Some applications use JM511910 (not included in kit SDK4395) with JM511946 (included in kit).

APPLICATION	DESCRIPTION	PART NUMBER	QUANTITY
Pinion Outer.....	Tapered Roller Bearing (Cone/Cup).....	72212-C/BR72487	1
Pinion Inner	Tapered Roller Bearing (Cone/Cup).....	H715334/H715311	1
Pinion & Thrushaft.....	Seal.....	30007.....	2
	<i>Speedi-Sleeve</i>	■ 99300	
Input Shaft Front.....	Tapered Roller Bearing (Cone/Cup).....	JM511946/BR3920	1
Input Shaft Rear	Tapered Roller Bearing (Cone/Cup).....	JLM710949/JLM710910	1
Output Shaft Front/Rear	Tapered Roller Bearing (Cone/Cup).....	LM104949/JLM104910	2
Differential Right/Left Hand	Tapered Roller Bearing (Cone/Cup).....	JM716649/JM716610	2
Misc.	O-Ring.....	□ 5X1034	2
Misc.5 ml Thread Locker	□ TL1	1
Misc.	3 oz Silicone Blue	□ SEALANT	1

■ Use Speedi-Sleeves to repair grooved shafts (Not Included) □ Not Sold Separately ● Not included in kit

DIFFERENTIAL KIT CONTENTS—Heavy Duty

SDK4396

APPLICATIONS: ARVIN MERITOR—RT34144, RT34145, RT40145, RT44145, MD20143, MP20143, RD17145, RD20145, RD22145, RP17145, RP20145, RP22145 tandem forward with standard or no spin differential & 2.38" dia. input shaft w/46 splines. After 11/03. Carriers 3200-G-1645, 3200-X-1662, 3200-T-1814, 3200-V-1816, 3200-N-1860, 3200-B-1874, 3200-D-1876, 3200-B-1978, 3200-C-1979, 3200-D-1980, 3200-H-1984 & 3200-J-1986

APPLICATION	DESCRIPTION	PART NUMBER	QUANTITY
Pinion Outer.....	Tapered Roller Bearing (Cone/Cup).....	72212-C/BR72487	1
Pinion Inner	Tapered Roller Bearing (Cone/Cup).....	H715334/H715311	1
Thrushaft	Seal.....	30007	1
	<i>Speedi-Sleeve</i>	■ 99300	
Input Shaft Front.....	Tapered Roller Bearing (Cone/Cup).....	JM511945/BR3920	1
Input Shaft	Seal.....	32410	1
	<i>Speedi-Sleeve</i>	■ 99325	
Input Shaft Rear	Tapered Roller Bearing (Cone/Cup).....	JLM710949/JLM710910	1
Output Shaft Front/Rear	Tapered Roller Bearing (Cone/Cup).....	LM104949/JLM104910	2
Differential Right/Left Hand	Tapered Roller Bearing (Cone/Cup).....	JM716649/JM716610	2
Misc.	O-Ring.....	□ 5X1034	2
Misc.5 ml Thread Locker	□ TL1	1
Misc.	3 oz Silicone Blue	□ SEALANT	1

SDK4405

APPLICATIONS: ARVIN MERITOR— RT34144, RT40145, RT44145, MD20143, RD20145, MP20143, RP20145, RD22145, RP22145 tandem forward with differential lock - before 11/93. Carriers 3200-L-1624, 3200-M-1677, 3200-U-1815, 3200-W-1817, 3200-P-1888, 3200-R-1890, 3200-D-1902, 3200-H-1906

APPLICATION	DESCRIPTION	PART NUMBER	QUANTITY
Pinion Outer.....	Tapered Roller Bearing (Cone/Cup).....	72212-C/BR72487	1
Pinion Inner	Tapered Roller Bearing (Cone/Cup).....	H715334/H715311	1
Thrushaft	Seal.....	30007	1
	<i>Speedi-Sleeve</i>	■ 99300	
Input Shaft	Seal.....	32410	1
	<i>Speedi-Sleeve</i>	■ 99325	
Input Shaft Rear	Tapered Roller Bearing (Cone/Cup).....	JLM710949/JLM710910	1
Input Shaft Front.....	Tapered Roller Bearing (Cone/Cup).....	JM511946/JM511910	1
Input Shaft Front (New)	Tapered Roller Bearing (Cup)	BR3920	1
Output Shaft Front/Rear	Tapered Roller Bearing (Cone/Cup).....	LM104949/JLM104910	2
Differential Right Hand	Tapered Roller Bearing (Cone/Cup).....	JM716649/JM716610	1
Differential Left Hand.....	Tapered Roller Bearing (Cone/Cup).....	JP10010-A/JP10049.....	1
Misc.	O-Ring.....	□ 5X1034	2
Misc.5 ml Thread Locker	□ TL1	1
Misc.	3 oz Silicone Blue	□ SEALANT	1

■ Use Speedi-Sleeves to repair grooved shafts (Not Included) □ Not Sold Separately ● Not included in kit

DIFFERENTIAL KIT CONTENTS—Heavy Duty

SDK4406

APPLICATIONS: ARVIN MERITOR—RT34144, RT40145, RT44145, MD20143, MP20143, RD20145, RD22145, RP20145, RP22145 tandem forward with differential lock & 2.38" dia. input shaft w/46 splines. After 11/93. Carriers 3200-L-1624, 3200-M-1677, 3200-U-1815, 3200-P-1888, 3200-R-1890, 3200-D-1902, 3200-H-1905, 3200-H-1906, 3200-E-1981, 3200-F-1982, 3200-K-1987, 3200-L-1988

APPLICATION	DESCRIPTION	PART NUMBER	QUANTITY
Pinion Outer.....	Tapered Roller Bearing (Cone/Cup).....	72212-C/BR72487	1
Pinion Inner	Tapered Roller Bearing (Cone/Cup).....	H715334/H715311	1
Thruhaft	Seal.....	30007	1
	<i>Speedi-Sleeve</i>	■ 99300	
Input Shaft Front.....	Tapered Roller Bearing (Cone/Cup).....	JM511945/BR3920	1
Input Shaft Rear	Tapered Roller Bearing (Cone/Cup).....	JLM710949/JLM710910	1
Output Shaft Front/Rear	Tapered Roller Bearing (Cone/Cup).....	LM104949/JLM104910	2
Input Shaft	Seal.....	32410	1
	<i>Speedi-Sleeve</i>	■ 99325	
Differential Left Hand.....	Tapered Roller Bearing (Cone/Cup).....	JP10010-A/JP10049.....	1
Differential Right Hand	Tapered Roller Bearing (Cone/Cup).....	JM716649/JM716610	1
Misc.	O-Ring.....	□ 5X1034	2
Misc.5 ml Thread Locker	□ TL1	1
Misc.	3 oz Silicone Blue	□ SEALANT	1

SDK4422

APPLICATIONS: ARVIN MERITOR—RD23160, RD23164, RD26160, RP26060, RT46160 & RT52160 tandem rear with inter-axle standard and no spin differentials. Carriers 3200-M-1703, 3200-X-1818, 3200-K-1857.

APPLICATION	DESCRIPTION	PART NUMBER	QUANTITY
Pinion.....	Seal.....	32410	1
	<i>Speedi-Sleeve</i>	■ 99325	
Pinion Outer.....	Tapered Roller Bearing (Cone/Cup).....	BR65237/BR65500.....	1
Pinion Inner	Tapered Roller Bearing (Cone/Cup).....	H715343/H715311	1
Input Shaft Front.....	Tapered Roller Bearing (Cone/Cup).....	HM813843/HM813810.....	1
Input Shaft Rear	Tapered Roller Bearing (Cone/Cup).....	JLM714149/JLM714110	1
Differential Right/Left Hand	Tapered Roller Bearing (Cone/Cup).....	594-A/592-A.....	2
Misc.	O-Ring.....	□ 5X1034	1
Misc.5 ml Thread Locker	□ TL1	1
Misc.	3 oz Silicone Blue	□ SEALANT	1

Use Speedi-Sleeves to repair grooved shafts (Not Included)
 Not Sold Separately
 Not included in kit

DIFFERENTIAL KIT CONTENTS—Heavy Duty

SDK4423

APPLICATIONS: ARVIN MERITOR—RT46160, RT52160, RD23180, RD23164, RD26160, RP23160, RP23164 & RP26160 tandem forward with differential lock and no spin. Carriers 3200-K-1701, 3200-W-1713, 3200-Y-1819, 3200-Z-1820, 3200-L-1858, 3200-V-1894 & 3200-W-1895

APPLICATION	DESCRIPTION	PART NUMBER	QUANTITY
Pinion Outer.....	Tapered Roller Bearing (Cone/Cup).....	BR65237/BR65500.....	1
Pinion Inner	Tapered Roller Bearing (Cone/Cup).....	H715343/H715311	1
Input Shaft	Seal.....	32410.....	1
	<i>Speedi-Sleeve</i>	■ 99325	
Input Shaft Front.....	Tapered Roller Bearing (Cone/Cup).....	HM813843/HM813810.....	1
Input Shaft Rear	Tapered Roller Bearing (Cone/Cup).....	JLM714149/JLM714110	1
Differential Left Hand.....	Tapered Roller Bearing (Cone/Cup).....	BR52400/BR52618.....	1
Differential Right Hand	Tapered Roller Bearing (Cone/Cup).....	594-A/592-A.....	1
Misc.	O-Ring.....	□ 5X1034	1
Misc.5 ml Thread Locker	□ TL1	1
Misc.	3 oz Silicone Blue	□ SEALANT	1

SDK4426

APPLICATIONS: ARVIN MERITOR—RS23160, RS23161, RS25160 & RS26160 single rear axle. Without driver controlled differential lock. Carriers 3200-P-1706, 3200-A-1821, 3200-J-1856 & 3200-H-1854.

APPLICATION	DESCRIPTION	PART NUMBER	QUANTITY
Pinion Pilot.....	Cylindrical Roller Bearing.....	RU9008-UM.....	1
Pinion.....	Seal.....	□ DTQ2591	1
Pinion Inner	Tapered Roller Bearing (Cone/Cup).....	BR9278/BR9220.....	1
Pinion Outer.....	Tapered Roller Bearing (Cone/Cup).....	HM813843/HM813810.....	1
Differential Right/Left Hand	Tapered Roller Bearing (Cone/Cup).....	594-A/592-A.....	2
Misc.5 ml Thread Locker	□ TL1	1
Misc.	3 oz Silicone Blue	□ SEALANT	1

SDK4428

APPLICATIONS: ARVIN MERITOR—RT46160, RT52160, RS23160, RS23161, RS25160, RS26160, RR23160, RR23164 & RR26160 single rear & tandem rear with standard, driver controlled differential lock & no spin. Carriers 3200-R-1708, 3200-V-1712, 3200-C-1823, 3200-E-1825, 3200-T-1892, 3200-Y-1897 & 3200-D-1928

APPLICATION	DESCRIPTION	PART NUMBER	QUANTITY
Pinion Pilot.....	Cylindrical Roller Bearing.....	RU9008-UM.....	1
Pinion.....	Seal.....	□ DTQ2591	1
Pinion Inner	Tapered Roller Bearing (Cone/Cup).....	BR9278/BR9220.....	1
Pinion Outer.....	Tapered Roller Bearing (Cone/Cup).....	HM813843/HM813810.....	1
Differential Left Hand.....	Tapered Roller Bearing (Cone/Cup).....	BR52400/BR52618.....	1
Differential Right Hand	Tapered Roller Bearing (Cone/Cup).....	594-A/592-A.....	1
Misc.5 ml Thread Locker	□ TL1	1
Misc.	3 oz Silicone Blue	□ SEALANT	1

■ Use Speedi-Sleeves to repair grooved shafts (Not Included) □ Not Sold Separately ● Not included in kit

Heavy duty transmission axle identification

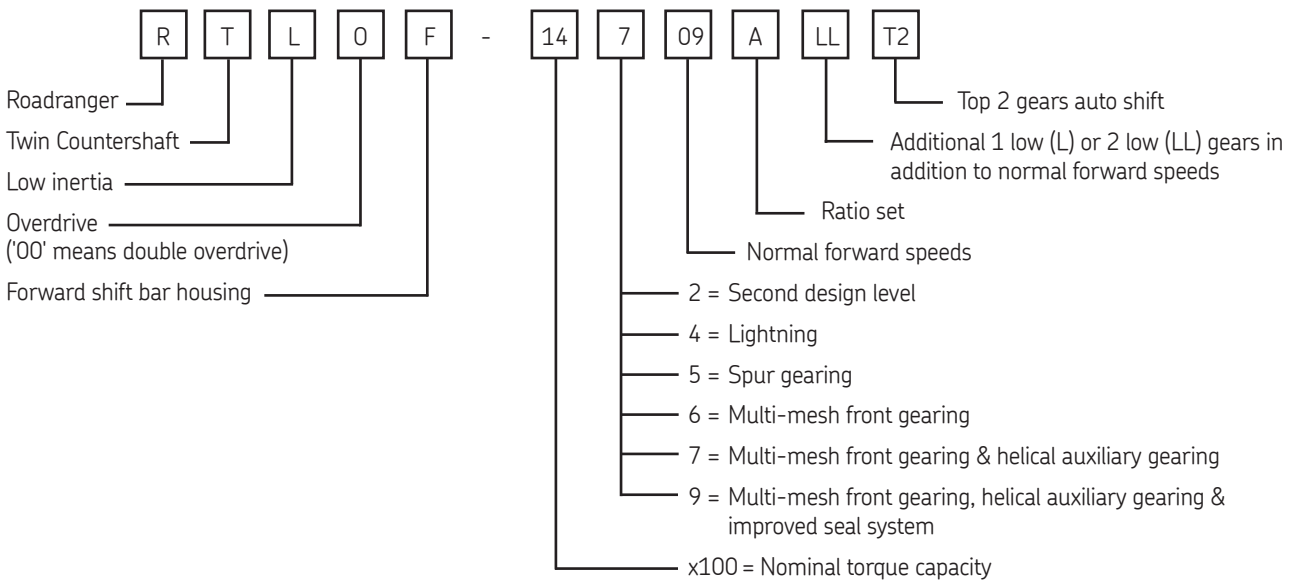
Transmission identification

Current design main and auxiliary transmissions can be identified by an alphabetical, numeric or alpha/numeric code. The various letters and numbers indicate the relative torque capacity, type (model), speeds and various modifications.

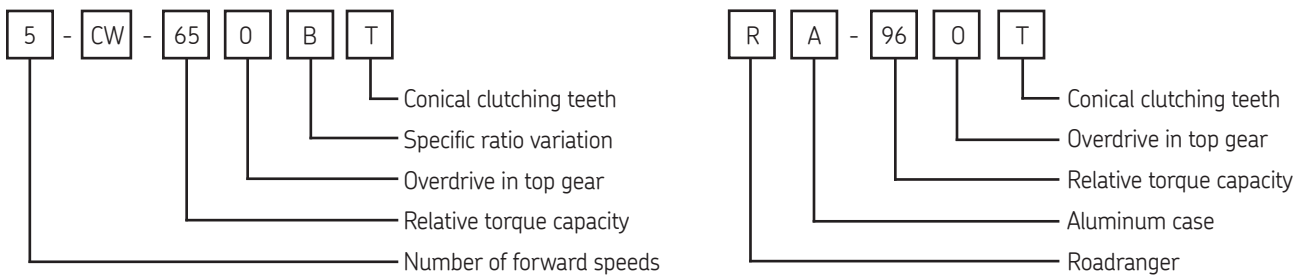
To identify your transmission model:

1. Refer to the I.D. tag fixed to the transmission case
2. Refer to the stamping located on the transmission case
3. Refer to the truck Bill of Material, Broadcast Sheet, Certification Label, Line Ticket, Service Parts I.D. Tag, Specification List or Vehicle Data Plate. This type of identification is located inside the cab or attached to the cab door. This data represents only the vehicle when it was shipped from the factory.
4. Unless otherwise noted, the cataloged kit services all variations of the model listed.

Clark/Eaton/Fuller transmission axle identification

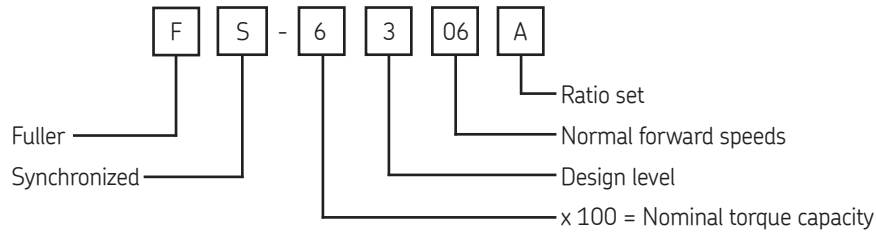


Single countershaft transmissions

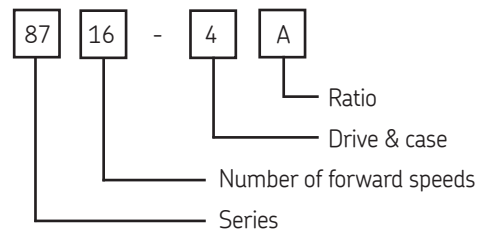
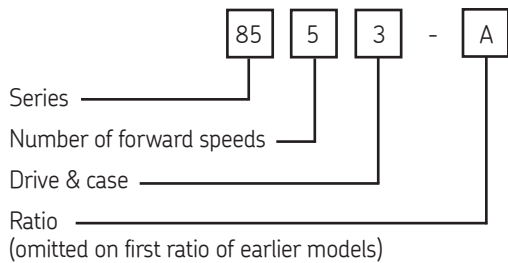


Heavy duty transmission axle identification

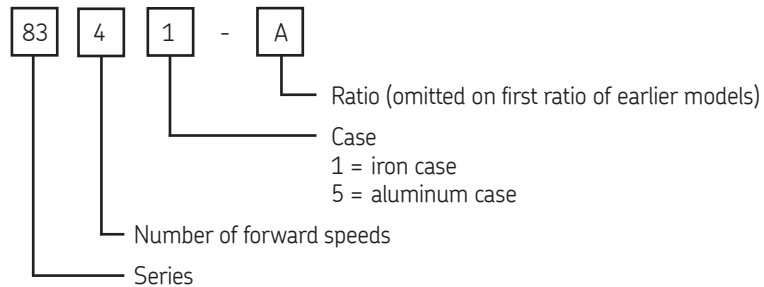
Clark/Eaton/Fuller transmission axle identification



Spicer main transmission axle identification

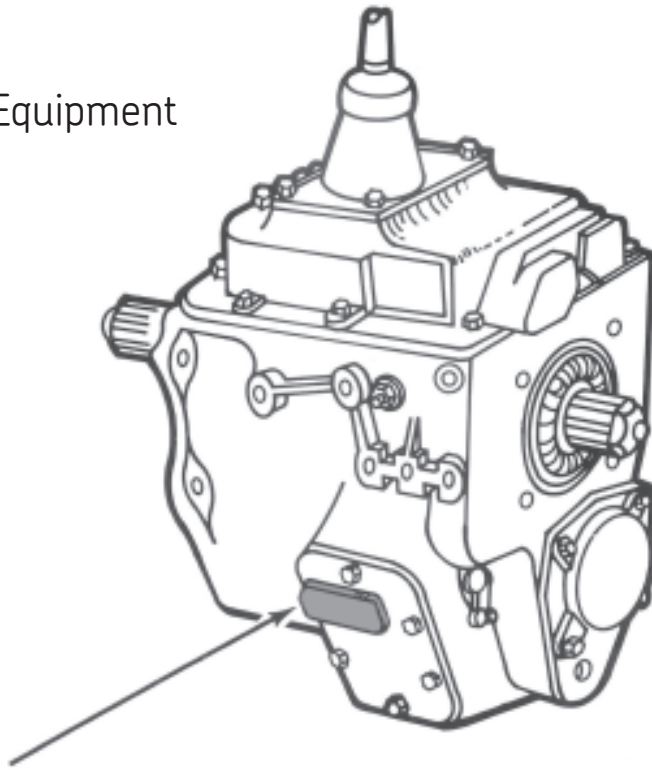


Spicer auxiliary transmission axle identification

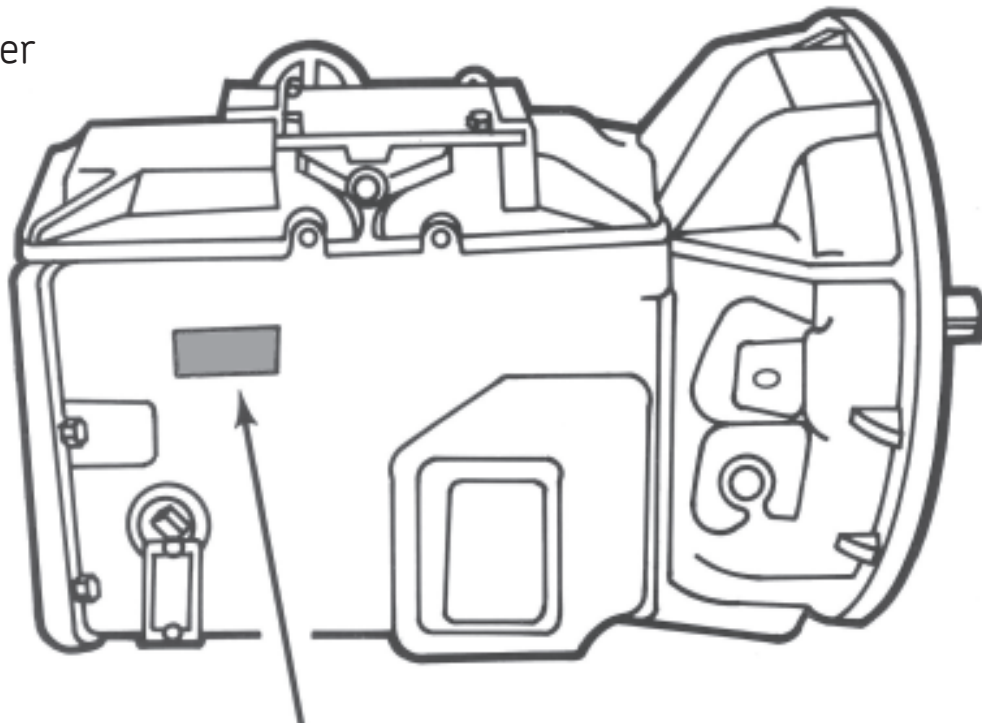


Heavy duty transmission axle identification

Clark Equipment

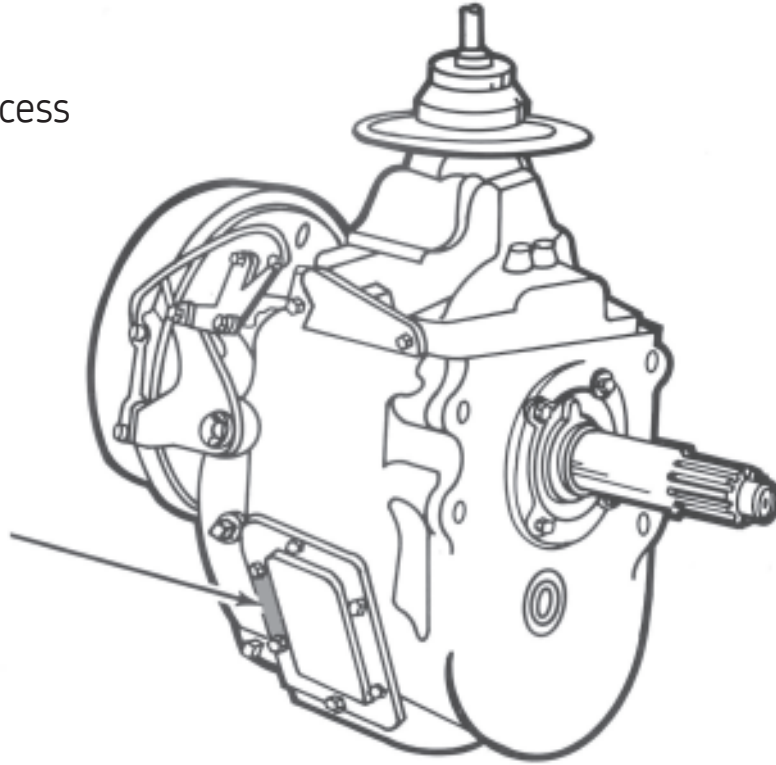


Fuller

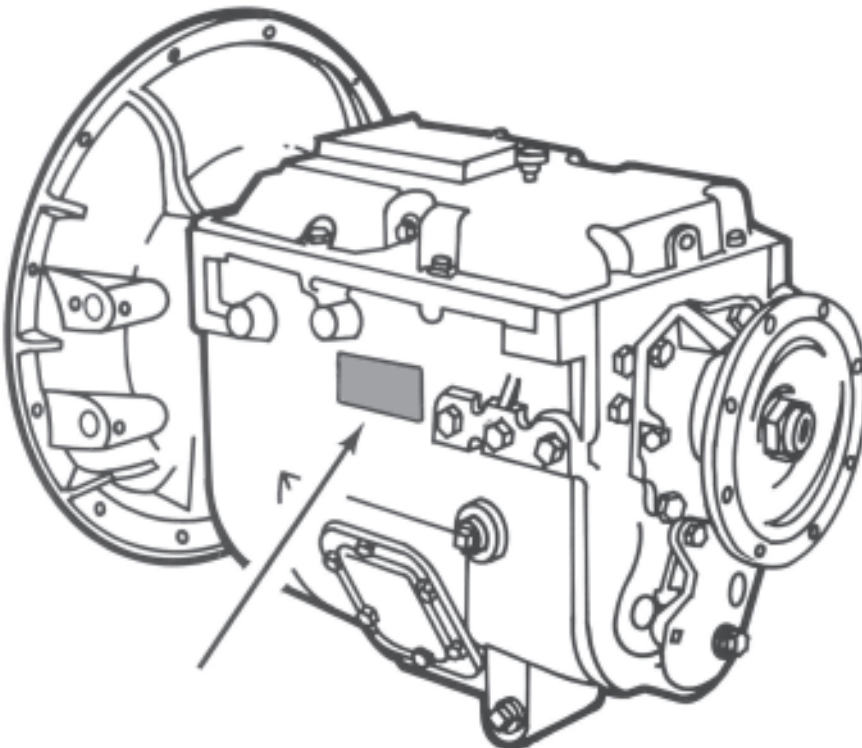


Heavy duty transmission axle identification

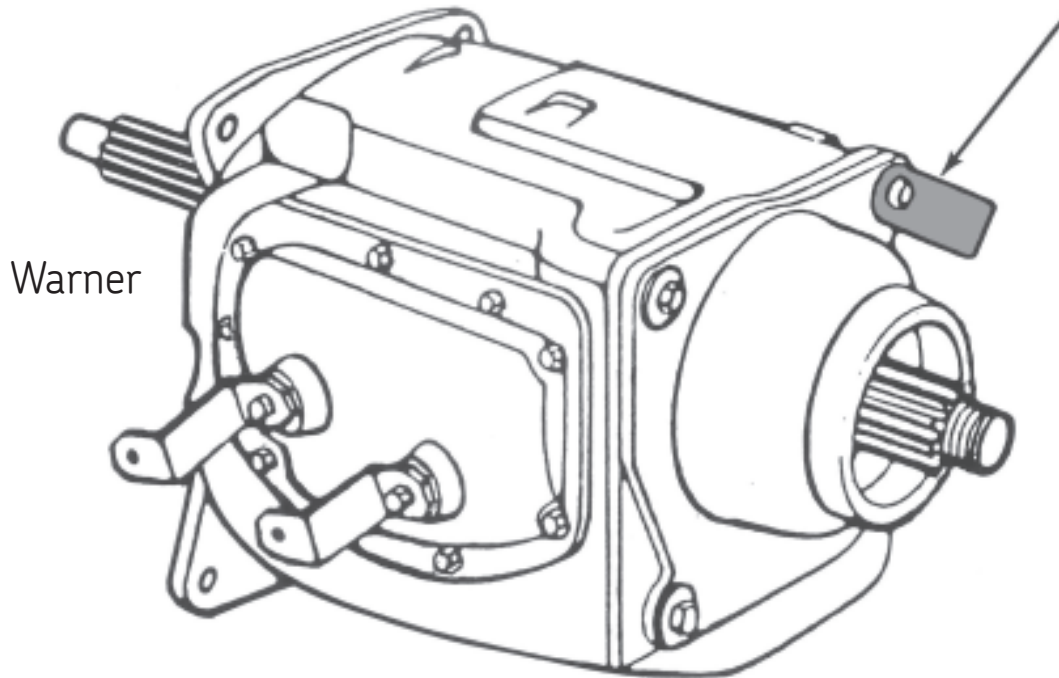
New Process



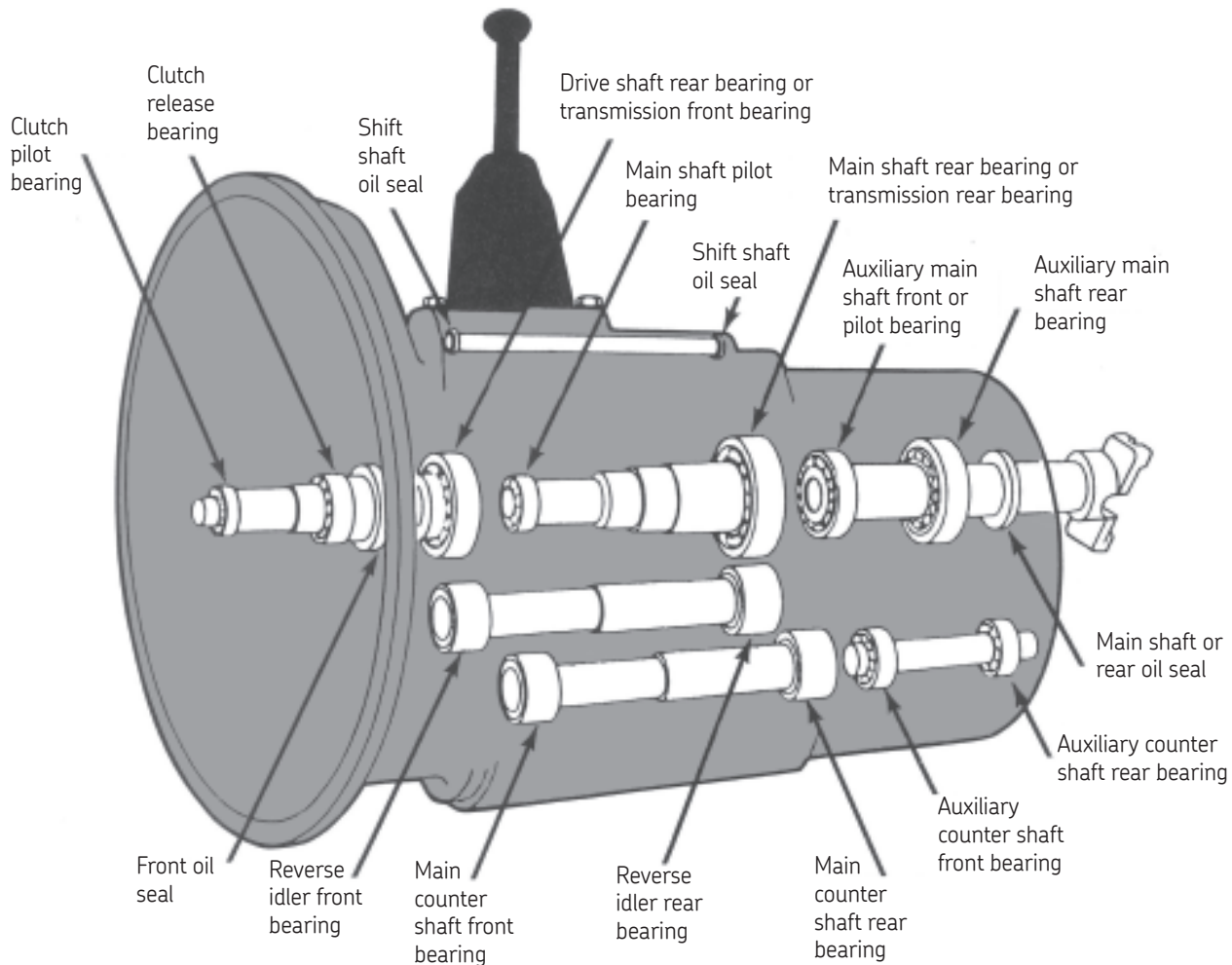
Spicer



Heavy duty transmission axle identification



Heavy duty main transmission diagram & nomenclature



Heavy duty transmission index

Axle model Speed Message SKF kit

Clark/Fuller Medium Duty Models

Clark 5 Speed Models

280-V.....	5	1959 & Later	STK148
280-V0.....	5	1959 & Later	STK148
280-V03.....	5	1959 & Later	STK148
280-V04.....	5	1959 & Later	STK148
280-V018.....	5	1959 & Later	STK148
280-VHD.....	5	1959 & Later	STK190
282-V.....	5		STK148
282-V11.....	5		STK148
282-V55.....	5		STK148
282-VHD.....	5		STK190
282-VHD2.....	5		STK190
282-VHD12.....	5		STK190
282-VHD13.....	5		STK190
285-V.....	5		STK148
285-V9.....	5		STK148
285-V54.....	5		STK148
285-VHD.....	5		STK190
285-VHD2.....	5		STK190
285-VHD13.....	5		STK190
390-V.....	5	1-1/2" Input Shaft & 2" Output Shaft	STK390-F
390-V.....	5	1-3/4" Input Shaft & 2" Output Shaft	STK390-G
390-V.....	5	1-1/2" Input Shaft & 1-3/4" Output Shaft	STK390-H
397V.....	5	1-1/2" Input Shaft & 2" Output Shaft	STK390-F
397V.....	5	1-3/4" Input Shaft & 2" Output Shaft	STK390-G
397V.....	5	1-1/2" Input Shaft & 1-3/4" Output Shaft	STK390-H
CL450.....	5	1-1/4" or 1-1/2" Input Shaft	STK208
CL450.....	5	1-3/4" Input Shaft	STK208-D
CL455.....	5	1-1/4" or 1-1/2" Input Shaft	STK208
CL455.....	5	1-3/4" Input Shaft	STK208-D
CL457.....	5	1-1/4" or 1-1/2" Input Shaft	STK208
CL457.....	5	1-3/4" Input Shaft	STK208-D
CL550.....	5	1-1/2" Input Shaft & 2" Output Shaft	STK390-F
CL550.....	5	1-3/4" Input Shaft & 2" Output Shaft	STK390-G
CL550.....	5	1-1/2" Input Shaft & 1-3/4" Output Shaft	STK390-H
CL551.....	5	1-1/2" Input Shaft & 2" Output Shaft	STK390-F
CL551.....	5	1-3/4" Input Shaft & 2" Output Shaft	STK390-G
CL551.....	5	1-1/2" Input Shaft & 1-3/4" Output Shaft	STK390-H
CL557.....	5	1-1/2" Input Shaft & 2" Output Shaft	STK390-F
CL557.....	5	1-3/4" Input Shaft & 2" Output Shaft	STK390-G
CL557.....	5	1-1/2" Input Shaft & 1-3/4" Output Shaft	STK390-H
CL558.....	5	1-1/2" Input Shaft & 2" Output Shaft	STK390-F
CL558.....	5	1-3/4" Input Shaft & 2" Output Shaft	STK390-G
CL558.....	5	1-1/2" Input Shaft & 1-3/4" Output Shaft	STK390-H

Eaton/Fuller Medium Duty Models

5 Speed Models

FS-4005.....	5	1-3/8" or 1-1/2" Input Shaft	STK208
FS-4005.....	5	1-3/4" Input Shaft	STK208-D
FS-4205.....	5	1-3/8" or 1-1/2" Input Shaft	STK208
FS-4205.....	5	1-3/4" Input Shaft	STK208-D
FS-5005.....	5	1-1/2" Input Shaft & 2" Output Shaft	STK395-F
FS-5005.....	5	1-1/2" Input Shaft & 1-3/4" Output Shaft	STK395-G
FS-5005.....	5	1-3/4" Input Shaft & 2" Output Shaft	STK395-H

Axle model Speed Message SKF kit

Eaton/Fuller Heavy Duty Models

5 Speed Models

T-905.....	5		STK58
T-955.....	5		STK1000

6 Speed Models

906.....	6		STK1000
----------	---	--	---------

7 Speed Models

T-955LL.....	7		STK1000
--------------	---	--	---------

8 Speed Models

9508.....	8		STK1000
11608.....	8		STK203
14608.....	8		STK205

9 Speed Models

909.....	9		STK1000
8608L.....	9		STK203
9509.....	9		STK1000
11609.....	9		STK202
11607LL.....	9		STK203
12609.....	9		STK203
14609.....	9		STK205

10 Speed Models

510.....	10		STK145-A
610.....	10	w/ MR1206RUGV Aux C/S Front Brg.	STK145-A
910.....	10		STK1000
958LL.....	10		STK1000
1258LL.....	10		STK159-A
6610.....	10	w/ MR1206RUGV Aux C/S Front Brg.	STK145-A
9210.....	10	w/ Electronic Speedometer	STK2924
11210.....	10	w/ Electronic Speedometer	STK2924
11608LL.....	10	RT	STK203
11610.....	10	RT	STK203
12210.....	10	w/ Electronic Speedometer	STK2924
12610.....	10	All RT Models	STK203
13210.....	10	w/ Electronic Speedometer	STK2924
14210.....	10	w/ Electronic Speedometer	STK2924
14608LL.....	10		STK207
14610.....	10	All RT Models	STK205
14708LL.....	10		STK2043
15210.....	10	w/ Electronic Speedometer	STK2924
16210.....	10	w/ Electronic Speedometer	STK2924
17210.....	10	w/ Electronic Speedometer	STK2924
18210.....	10	w/ Electronic Speedometer	STK2924

13 Speed Models

613.....	13		STK146
913.....	13		STK1000
6613.....	13		STK146
9513.....	13		STK1000
11613.....	13	w/o Tapered Aux. Countershaft Brgs.	STK203
11813.....	13	w/o Tapered Aux. Countershaft Brgs.	STK203
12513.....	13	w/ 1 piece Aux. Countershaft Brgs.	STK149
14613.....	13	RT Models w/ 1 piece Cylindrical Aux. Countershaft Brgs.	STK206
14813.....	13	w/ 1 piece Cylindrical Aux. Countershaft Brgs.	STK206
16913.....	13		STK3343

Heavy duty transmission index

Axle model	Speed	Message	SKF kit
------------	-------	---------	---------

Eaton/Fuller Heavy Duty Models-cont.

15 Speed Models

915	15		STK1000
11615	15		STK203
12515	15		STK159-A
14615	15		STK207
14715	15		STK2043
15615	15		STK202
15715	15		STK2043

18 Speed Models

16918	18		STK3340
18918	18		STK3340
20918	18		STK3340

GMC Index

CH465	4	1990 and Later	STK157
SM465	4	Early/Late	STK157

IHC/Navistar Index

T32	5		STK156
T33	5		STK156
T34	5		STK156
T35	5		STK156
T36	5		STK156
T494	5		STK156
T495	5		STK156
T496	5		STK156
T698	5		STK183
T699	5		STK183

Mack Index

TRXL107	6		STK187
TRXL107A	6		STK187
TRDL1070	10		STK187
TRTXL1070	12		STK213
TRTXL1070B	12		STK213
TRXL1071	6		STK187
TRXL1071A	6		STK187

New Process Transmissions

435	4	w/ Tapered Bearing on Drive Shaft	STK127
435	4	w/ Ball Bearing on Drive Shaft	STK127-G
435FE	4	w/ Tapered Bearing on Drive Shaft	STK127
435FL	4	w/ Tapered Bearing on Drive Shaft	STK127
435GL	4	w/ Tapered Bearing on Drive Shaft	STK127
436	4	w/ Tapered Bearing on Drive Shaft	STK127
436	4	w/ Ball Bearing on Drive Shaft	STK127-G
540	5		STK27
540C	5		STK27
540D	5		STK27
540G	5		STK27
540GD	5		STK27
540GL	5		STK27
540GO	5		STK27
541	5	Early	STK27

Axle model	Speed	Message	SKF kit
------------	-------	---------	---------

New Process Transmissions-cont.

541	5	Late (Exc. Ford)	STK29
541DD11	5		STK29
541DD12	5		STK29
541DD13	5		STK29
541DD14	5		STK29
541DD15	5		STK29
541DD16	5		STK29
541DD17	5		STK29
541FD	5	Early	STK27
541FD	5	Late	STK29
541FL	5	Early	STK27
541FL	5	Late	STK29
541FO	5	Early	STK27
541FO	5	Late	STK29
541G	5	Early	STK27
541G	5	Late	STK29
541GD	5	Early	STK27
541GD	5	Late	STK29
541GD24	5	Early	STK27
541GD24	5	Late	STK29
541GL	5	Early	STK27
541GL	5	Late	STK29
541GO	5	Early	STK27
541GO	5	Late	STK29
541GO-11	5	Early	STK27
541GO-11	5	Late	STK29
542	5	Early	STK27
542	5	Late (Exc. Ford)	STK29
542	5	Late (w/Ford)	STK29-B
542D	5	w/GMC	STK29
542FD	5	Early	STK27
542FD	5	Late (Exc. Ford)	STK29
542FD	5	Late (w/Ford)	STK29-B
542FL	5	Early	STK27
542FL	5	Late (Exc. Ford)	STK29
542FL	5	Late (w/Ford)	STK29-B
542FO	5	Early	STK27
542FO	5	Late (Exc. Ford)	STK29
542FO	5	Late (w/Ford)	STK29-B
542GD	5	w/GMC	STK29
542GL	5	w/GMC	STK29
542L	5	w/GMC	STK29

Spicer/TTC Transmissions

1010	10		STK152
1052	5		STK147
1062	6		STK147
1064	6		STK147
1252	5		STK147
1253	5		STK147
1262	6		STK147
1263	6		STK147
1352	5		STK192
1362	6		STK192
1364	6		STK192
1452	5		STK192
1453	5		STK192
1463	6		STK192
4054	5		STK210
4652	5		STK28
4752	5		STK28
4753	5		STK28

Heavy duty transmission index

Axle model	Speed	Message	SKF kit
Spicer/TTC Transmissions-cont.			
4756	5		STK28
4852	5		STK28
4853	5		STK28
5052	5		STK180
5252	5		STK180
5552	5		STK180
5650	5		STK28
5652	5		STK28
5750	5		STK28
5752	5		STK28
5753	5		STK28
5756	5		STK28
5850	5		STK28
5852	5		STK180
5853	5		STK28
7041	4		STK73
CM40	5		STK210
CM50	5		STK180
CM55	5		STK180
CM4054	5		STK210
CM5052	5		STK180
CM5252	5		STK180
CM5552	5		STK180
CM5852	5		STK180
CM5952	5		STK180
ES60-5	5		STK180
ES62-5	5		STK180
SST5	5	Old Version	STK147
SST6	6	Old Version	STK147
SST6	6	New Version	STK192
SST10	10	Old Version	STK152

Axle model	Speed	Message	SKF kit
Spicer/TTC Auxiliary Transmissions			
1241	4		STK158
6041	4		STK70
7041	4		STK73
7231	3		STK86
8031	3	w/ Steel Caged Bearings	STK3
8035	3	w/ Steel Caged Bearings	STK3
8341	4	w/ Steel Caged Bearings	STK3
8341L	4		STK155
R8341C	4		STK155
R8341L	4		STK155
RP8341	4		STK155
8345	4	w/ Steel Caged Bearings	STK3

Warner Index

T18	4	w/Willys Jeep	STK82-F
T18	4	w/Ford	STK82-F
T18A	4	w/Willys Jeep	STK82-F
T18A	4	w/Ford	STK82-F
T18B	4	w/Willys Jeep	STK82-F
T18B	4	w/Ford	STK82-F
T18C	4	w/Willys Jeep	STK82-F
T18C	4	w/Ford	STK82-F
T19	4	w/Ford (GAS)	STK82-F
T19A	4	w/Ford (GAS)	STK82-F
T98	4	w/.9055" Wide Driveshaft Bearing	STK82
T98A	4	w/.9055" Wide Driveshaft Bearing w/LH PTO	STK82
T98B	4	w/.9055" Wide Driveshaft Bearing	STK82
T98D	4	w/.9055" Wide Driveshaft Bearing	STK82

TRANSMISSION KIT CONTENTS—Heavy Duty

STK3

APPLICATIONS: SPICER - P8341, P8341C, P8341D, P8341F, P8341G, P8345, P8345C, P8345D, P8345F, P8345G, 8031, 8031A, 8031B, 8031C, 8031D, 8031E, 8031F, 8031G, 8031H, 8031J, 8031K, 8031L, 8031P, 8031Q, 8031R, 8035A, 8035B, 8035C, 8035D, 8035E, 8035F, 8035G, 8035H, 8035J, 8035K, 8035L, 8035P, 8035Q, 8341, 8341A, 8341B, 8341C, 8341D, 8341E, 8341F, 8341G, 8341H, 8341J, 8341L, 8341R, 8345, 8345A, 8345B, 8345C, 8345D, 8345E, 8345F, 8345G, 8345H, 8345J (Steel Caged Brgs.)

APPLICATION	DESCRIPTION	PART NUMBER	QUANTITY
Output Shaft	Ball Bearing.....	<input type="checkbox"/> 412-NRJ	1
Output Shaft	Seal (Ford).....	29925.....	1
	<i>Speedi-Sleeve</i>	<input checked="" type="checkbox"/> 99300	
Input Shaft Pilot.....	Cylindrical Roller Bearing.....	MR1308-TV	1
Input Shaft Rear	Cylindrical Roller Bearing (Steel Caged) ...	<input type="checkbox"/> MR1313-UV**	1
Input Shaft Front.....	Ball Bearing.....	5212-E	1
Input/Output Shaft	Seal (Exc. Ford).....	29870.....	2
	<i>Speedi-Sleeve</i>	<input checked="" type="checkbox"/> 99300	
Countershaft Front.....	Cylindrical Roller Bearing.....	<input type="checkbox"/> MSN1311REX	1
Countershaft Rear	Cylindrical Roller Bearing.....	<input type="checkbox"/> MR1311GEAX	1
Remote Control	Seal.....	<input checked="" type="checkbox"/> 8702.....	1
	<i>Speedi-Sleeve</i>	<input checked="" type="checkbox"/> 99087	
3rd Speed Gear.....	Needle Bearing Assembly.....	<input type="checkbox"/> F53542	1
1st & 2nd Gear	Needle Bearing Assembly.....	<input type="checkbox"/> F53543	2
1st, 2nd & 3rd Gear	Loose Needle Bearings.....	<input type="checkbox"/> S444-Q*.....	480
Misc.	Transmission Gasket Set.....	<input type="checkbox"/> GT-155.....	1

* Optional for 8341 & 8345; S444Q (186) for 1st gear, 124 each for 2nd & 3rd gears

** Use MRB1313-EL for 8341 series w/Ford & GMC applications (Not Included)

STK27

APPLICATIONS: NEW PROCESS - 540, 540C, 540CD, 540CL, 540D, 540FD, 540FD1, 540FD11, 540FD12, 540FD2, 540FL1, 540FL2, 540FL27, 540FL28, 540FO, 540FO1, 540FO11, 540FO12, 540FO2, 540FO26, 540FO27, 540G, 540GA, 540GD, 540GDS, 540GL, 540GO, 540L (2.165" Driveshaft O.D.)

APPLICATION	DESCRIPTION	PART NUMBER	QUANTITY
Output Shaft	Max Ball Bearing (.906" width).....	308-NRJ**	1
Output Shaft	Seal (2.125" Shaft).....	21103	1
	<i>Speedi-Sleeve</i>	<input checked="" type="checkbox"/> 99212	
Input Shaft	Max Ball Bearing (2.165" Shaft).....	211-ZNRJ*	1
Input Shaft Pilot.....	Loose Needle Bearings (Flat End).....	<input type="checkbox"/> Q15902-F	14
Input Shaft	Seal.....	12363.....	1
	<i>Speedi-Sleeve</i>	<input checked="" type="checkbox"/> 99125	
Remote Control	Seal.....	7440	1
	<i>Speedi-Sleeve</i>	<input checked="" type="checkbox"/> 99076	
Countershaft Rear	Needle Bearing Assembly.....	B2816	1
Countershaft Front.....	Max Ball Bearing.....	207-NRJ.....	1
Misc.	Transmission Gasket Set.....	<input type="checkbox"/> GT-26.....	1

* For 1.772" shaft O.D. use 209-ZNRJ (Not Included)

** For Ford thru 1962 use 309-NRJ (Not Included)

Use Speedi-Sleeves to repair grooved shafts (Not Included) Not Sold Separately Not included in kit

TRANSMISSION KIT CONTENTS—Heavy Duty

STK28

APPLICATIONS: SPICER - 4652, 4652A, 4752, 4753, 4753A, 4756, 4756A, 4756B, 4756C, 4852, 4853, 4853A, 5650, 5652, 5652A, 5652B, 5750, 5752, 5752A, 5752B, 5752C, 5752G, 5753, 5753A, 5753B, 5756, 5756A, 5756B, 5850, 5852, 5852A, 5852B, 5853, 5853A, 5853B, 5853C; MACK - 5852A

APPLICATION	DESCRIPTION	PART NUMBER	QUANTITY
Output Shaft	Max Ball Bearing.....	310-NRJ.....	1
Output Shaft	Seal.....	24910.....	1
	<i>Speedi-Sleeve</i>	■ 99250	
Input Shaft Pilot	Loose Needle Bearings.....	□ 0513-Q.....	14
Input Shaft	Max Ball Bearing.....	213-ZNRJ.....	1
Input Shaft	Seal.....	● 17810.....	1
	<i>Speedi-Sleeve</i>	■ 99179	
Input Shaft (Exc. GMC)	Seal (1.625" Shaft).....	16054.....	1
	<i>Speedi-Sleeve</i>	■ 99162	
Remote Control	Seal.....	● 8648.....	1
	<i>Speedi-Sleeve</i>	■ 99087	
Reverse Idler	Journal Bearing Assembly	□ J32-2064.....	2
Countershaft Rear	Max Ball Bearing.....	308-ZNRJ.....	1
Countershaft Front.....	Cylindrical Roller Bearing.....	□ M1208-UV.....	1
Misc.	Transmission Gasket Set.....	□ GT-28.....	1

STK29

APPLICATIONS: NEW PROCESS - 541 Series, 542 Series (Exc. Ford)

APPLICATION	DESCRIPTION	PART NUMBER	QUANTITY
Output Shaft	Max Ball Bearing.....	308-NRJ.....	1
Output Shaft	Seal (542-D, 542-L)	24910.....	1
	<i>Speedi-Sleeve</i>	■ 99250	
Output Shaft	Seal.....	21103.....	1
	<i>Speedi-Sleeve</i>	■ 99212	
Input Shaft Pilot	Loose Needle Bearings.....	□ Q15902-F	14
Input Shaft	Max Ball Bearing.....	211-ZNRJ.....	1
Input Shaft	Seal.....	16054.....	1
	<i>Speedi-Sleeve</i>	■ 99162	
Remote Control	Seal.....	● 7439.....	1
	<i>Speedi-Sleeve</i>	■ 99076	
Reverse Idler Front.....	Needle Bearing Assembly.....	B1412	1
Reverse Idler Rear	Needle Bearing Assembly.....	B1816	1
Reverse Idler Thrust.....	Needle Bearing Assembly.....	NTA815.....	1
Countershaft Rear	Loose Needle Bearings.....	□ Q15902-F	24
Countershaft Front.....	Max Ball Bearing.....	208-NRJ.....	1
Misc.	Transmission Gasket Set.....	□ GT-26.....	1

■ Use Speedi-Sleeves to repair grooved shafts (Not Included) □ Not Sold Separately ● Not included in kit

TRANSMISSION KIT CONTENTS—Heavy Duty

STK29-B

APPLICATIONS: NEW PROCESS - 541 Series, 542 Series (Ford Only)

APPLICATION	DESCRIPTION	PART NUMBER	QUANTITY
Output Shaft	Ball Bearing.....	6309-NRJ.....	1
Output Shaft	Seal.....	24910.....	1
	<i>Speedi-Sleeve</i>	■ 99250	
Input Shaft.....	Max Ball Bearing.....	211-ZNRJ.....	1
Input Shaft Pilot.....	Loose Needle Bearings.....	□ Q15902-F	14
Remote Control	Seal.....	● 7439.....	1
	<i>Speedi-Sleeve</i>	■ 99076	
Reverse Idler Front.....	Needle Bearing Assembly.....	B1412	1
Reverse Idler Rear	Needle Bearing Assembly.....	B1816	1
Reverse Idler Thrust.....	Needle Bearing Assembly.....	NTA815.....	1
Countershaft Front.....	Max Ball Bearing.....	208-NRJ.....	1
Countershaft Rear	Loose Needle Bearings.....	□ Q15902-F	24
Misc.	Transmission Gasket Set.....	□ GT-26.....	1

STK58

APPLICATIONS: FULLER - TO11605, TO11605A, TO11605B, TO11605C, TO11605D, TO905, TO905A, TO905B, TO905C, TO905D, TO905F

APPLICATION	DESCRIPTION	PART NUMBER	QUANTITY
Output Shaft Center.....	Ball Bearing.....	6018-NRJ.....	1
Output Shaft Rear.....	Ball Bearing.....	213-NRJ.....	1
Output Shaft (4" Shaft)	Seal.....	● 29925.....	1
	<i>Speedi-Sleeve</i>	■ 99300	
Output Shaft (4.5" Shaft)	Seal.....	34891.....	1
	<i>Speedi-Sleeve</i>	■ 99350	
Input Shaft	Ball Bearing.....	6212-ZNBRJ	1
Input Shaft	Clutch Nut	□ CN1	1
Input Shaft Pilot.....	Bushing.....	BS59.....	1
Countershaft Front.....	Cylindrical Roller Bearing.....	MSN1211REX.....	2
Countershaft Rear	Cylindrical Roller Bearing.....	□ MU1308TVWS.....	2
Reverse Idler	Needle Bearing Assembly.....	HJ223020	2
Reverse Idler	Needle Bearing Inner Race.....	IR1820-OH.....	2
Shift Rod.....	Seal.....	● 8648.....	1
	<i>Speedi-Sleeve</i>	■ 99087	
Misc.	Transmission Gasket Set.....	□ GT-58.....	1
Misc.	Snap Ring Set.....	□ SR-58	1

■ Use Speedi-Sleeves to repair grooved shafts (Not Included) □ Not Sold Separately ● Not included in kit

TRANSMISSION KIT CONTENTS—Heavy Duty

STK70

APPLICATIONS: SPICER - 6041, 6041A, 6041C, 6041D

APPLICATION	DESCRIPTION	PART NUMBER	QUANTITY
Output Shaft	Ball Bearing.....	310-NRJ.....	1
Input Shaft Pilot	Ball Bearing.....	209-NRJ.....	1
Input Shaft Front/Rear	Tapered Roller Bearing (Cone/Cup).....	BR28580/BR25821	2
Input/Output Shaft	Seal.....	27295*	2
	<i>Speedi-Sleeve</i>	■ 99274	
Countershaft Front/Rear.....	Tapered Roller Bearing (Cone/Cup).....	BR3479/BR3420	2
Remote Control	Seal.....	● 8702.....	2
	<i>Speedi-Sleeve</i>	■ 99087	
Misc.	Gasket Set	□ GT-70.....	1

* For Dodge, GMC, IHC use 27284 (Not Included)

STK73

APPLICATIONS: SPICER - 7041

APPLICATION	DESCRIPTION	PART NUMBER	QUANTITY
Output Shaft	Ball Bearing.....	312-ZNRJ	1
Output Shaft (w/o brake)	Seal.....	29925.....	1
Output Shaft (w/brake)	Seal.....	29870.....	1
Output Shaft	Seal.....	● 27295.....	1
	<i>Speedi-Sleeve</i>	■ 99274	
Input Shaft Front.....	Ball Bearing.....	6210-NRJ.....	1
Input Shaft Rear	Cylindrical Roller Bearing.....	□ MSN1312-EX.....	1
Input Shaft Pilot	Cylindrical Roller Bearing.....	□ MU1209-TV	1
Input Shaft	Seal.....	27370.....	1
	<i>Speedi-Sleeve</i>	■ 99274	
Input Shaft	Seal (Chev./GMC).....	27295.....	1
	<i>Speedi-Sleeve</i>	■ 99274	
Remote Control	Seal.....	8702.....	2
	<i>Speedi-Sleeve</i>	■ 99087	
Shift Rod.....	Seal.....	● 8648.....	1
	<i>Speedi-Sleeve</i>	■ 99087	
1st Gear.....	Needle Bearing Assembly.....	F54540.....	1
Countershaft Front.....	Tapered Roller Bearing (Cone/Cup).....	BR3877/BR3820.....	1
Countershaft Rear	Tapered Roller Bearing (Cone/Cup).....	BR462/453-A	1
Misc.	Transmission Gasket Set.....	□ GT-73.....	1

■ Use Speedi-Sleeves to repair grooved shafts (Not Included) □ Not Sold Separately ● Not included in kit

TRANSMISSION KIT CONTENTS—Heavy Duty

STK82

APPLICATIONS: WARNER - T98, T98A, T98B, T98D

APPLICATION	DESCRIPTION	PART NUMBER	QUANTITY
Output Shaft	Max Ball Bearing (.906" width).....	308-NRJ.....	1
Output Shaft	Seal.....	20045.....	1
	<i>Speedi-Sleeve</i>	■ 99199	
Input Shaft	Ball Bearing.....	6308-NRJ.....	1
Input Shaft	Seal.....	12364.....	1
	<i>Speedi-Sleeve</i>	■ 99125	
Input Shaft Pilot	Loose Needle Bearings.....	□ W1590-Q	16
Reverse Idler	Loose Needle Bearings.....	B1316-Q	74
Countershaft Front.....	Loose Needle Bearings.....	C436-Q	44
Countershaft Rear	Loose Needle Bearings.....	C436-Q	44
2nd Gear.....	Loose Needle Bearings.....	□ Q6086.....	34
Misc.	Transmission Gasket Set.....	□ GT-82D	1

STK82-F

APPLICATIONS: WARNER - T18, T19 (With Ford Gas Engines)

APPLICATION	DESCRIPTION	PART NUMBER	QUANTITY
Output Shaft	Ball Bearing.....	308-NRJ.....	1
Output Shaft	Seal (Diesel)	21210.....	1
	<i>Speedi-Sleeve</i>	■ 99212	
Output Shaft	Seal (Gas & 3.256" O.D.).....	24910.....	1
	<i>Speedi-Sleeve</i>	■ 99250	
Output Shaft	Seal (Gas & 2.879" O.D.).....	15773.....	1
	<i>Speedi-Sleeve</i>	■ 99156	
Output Shaft	Seal (Gas & 2.378" O.D.).....	15005.....	1
	<i>Speedi-Sleeve</i>	■ 99149	
Input Shaft	Ball Bearing.....	□ DTP308-L1	1
Input Shaft	Loose Needle Bearings.....	C436-Q	22
Input Shaft	Seal.....	12363.....	1
	<i>Speedi-Sleeve</i>	■ 99125	
Reverse Idler	Loose Needle Bearings.....	B1316-Q	74
Countershaft Front.....	Loose Needle Bearings.....	C436-Q	44
Countershaft Rear	Loose Needle Bearings.....	C436-Q	44
Misc.	Transmission Gasket Set.....	□ GT-82D	1

■ Use Speedi-Sleeves to repair grooved shafts (Not Included) □ Not Sold Separately ● Not included in kit

TRANSMISSION KIT CONTENTS—Heavy Duty

STK86

APPLICATIONS: SPICER - 7231, 7231A, 7231B, 7231C, 7231D

APPLICATION	DESCRIPTION	PART NUMBER	QUANTITY
Output Shaft	Max Ball Bearing.....	311-NRJ.....	1
Output Shaft (Exc. Ford).....	Seal.....	27370.....	1
	<i>Speedi-Sleeve</i>	■ 99274	
Output Shaft (Ford).....	Seal.....	27295.....	1
	<i>Speedi-Sleeve</i>	■ 99274	
Input Shaft	Seal.....	27370.....	1
	<i>Speedi-Sleeve</i>	■ 99274	
Input Shaft Front.....	Ball Bearing.....	6210-J.....	1
Input Shaft Rear	Max Ball Bearing.....	311-NRJ.....	1
Input Shaft Pilot	Cylindrical Roller Bearing.....	□ MU1209-TV	1
Countershaft Front/Rear.....	Tapered Roller Bearing (Cone/Cup).....	BR3479/BR3420.....	2
Remote Control	Seal.....	● 8702.....	2
	<i>Speedi-Sleeve</i>	■ 99087	
Misc.	Transmission Gasket Set.....	□ GT-86.....	1

STK127

APPLICATIONS: NEW PROCESS - 435, 435C, 435CR, 435FE, 435FL, 435G, 435GA, 435GD, 435GL, 435L23B, 435GL25B, 435GO, 436

APPLICATION	DESCRIPTION	PART NUMBER	QUANTITY
Output Shaft	Max Ball Bearing.....	308-NRJ.....	1
Output Shaft (w/Ford).....	Seal.....	24898.....	1
	<i>Speedi-Sleeve</i>	■ 99250	
Output Shaft	Seal.....	● 21302.....	1
	<i>Speedi-Sleeve</i>	■ 99212	
Input Shaft	Tapered Roller Bearing (Cone/Cup).....	HM88649/HM88610.....	1
Input Shaft	Seal (1.5" Shaft).....	15005.....	1
	<i>Speedi-Sleeve</i>	■ 99149	
Input Shaft	Seal (1.25" Shaft).....	● 12340.....	1
Input Shaft (Exc. Ford)	Seal.....	21100.....	1
	<i>Speedi-Sleeve</i>	■ 99212	
Input Shaft	Seal (1.375" Shaft).....	13557.....	1
	<i>Speedi-Sleeve</i>	■ 99138	
Input Shaft Pilot	Loose Needle Bearings.....	□ Q15902-F	14
Syncro Hub Thrust (3rd & 4th Gears).	Needle Bearing Assembly.....	FA35688	1
Countershaft Rear	Needle Bearing Assembly.....	B3216	1
Countershaft Front.....	Needle Bearing Assembly.....	M24161-X1	1
Countershaft Rear Thrust.....	Needle Bearing Assembly.....	NTA2031.....	1
Reverse Idler	Loose Needle Bearings.....	● C407-Q.....	104
Remote Control	Seal.....	● 7439.....	1
Misc.	Transmission Gasket Set.....	□ GT-127.....	1

■ Use Speedi-Sleeves to repair grooved shafts (Not Included) □ Not Sold Separately ● Not included in kit

TRANSMISSION KIT CONTENTS—Heavy Duty

STK127-G

APPLICATIONS: NEW PROCESS - 435, 436 (w/Ball Bearing on Driveshaft)

APPLICATION	DESCRIPTION	PART NUMBER	QUANTITY
Output Shaft	Seal.....	24898.....	1
	<i>Speedi-Sleeve</i>	■ 99250	
Input/Output Shaft	Ball Bearing.....	308-NRJ.....	2
Input Shaft	Seal (1.5" Shaft).....	15005.....	1
	<i>Speedi-Sleeve</i>	■ 99149	
Input Shaft	Seal.....	21100.....	1
	<i>Speedi-Sleeve</i>	■ 99212	
Input Shaft Pilot	Loose Needle Bearings.....	□ Q15902-F	14
Syncro Hub Thrust (3rd & 4th Gears)	Needle Thrust Bearing	FA35688	1
Countershaft Rear	Needle Bearing Assembly.....	B3216	1
Countershaft Front.....	Needle Bearing Assembly.....	M24161-X1	1
Countershaft Rear Thrust.....	Needle Thrust Bearing	NTA2031.....	1
Misc.	Transmission Gasket Set.....	□ GT127.....	1

STK145-A

APPLICATIONS: FULLER - RTO610, RTO6610, RT610, RT6610 (w/1.881" Aux Countershaft Front O.D.)

APPLICATION	DESCRIPTION	PART NUMBER	QUANTITY
Output Shaft	Seal (Ford).....	30098.....	1
	<i>Speedi-Sleeve</i>	■ 99300	
Input Shaft Pilot	Bushing	□ BS61*	1
Input Shaft	Seal.....	● 14832.....	1
	<i>Speedi-Sleeve</i>	■ 99149	
Input Shaft	Cylindrical Roller Bearing.....	□ MU1209UGMR	1
Aux. Drive Gear	Ball Bearing.....	6017-NRJ.....	1
Aux. Mainshaft Rear.....	Ball Bearing.....	211-ZNRJ.....	1
Aux. Mainshaft.....	Seal.....	34891.....	1
	<i>Speedi-Sleeve</i>	■ 99350	
Aux. Mainshaft Front	Cylindrical Roller Bearing.....	MU1307-X.....	1
Aux. Countershaft Front	Cylindrical Roller Bearing.....	MR1206RUGV	2
Aux. Countershaft Rear	Cylindrical Roller Bearing.....	MR1308-TV	2
Countershaft Rear	Cylindrical Roller Bearing.....	MU1306-GUV	2
Countershaft Front.....	Cylindrical Roller Bearing.....	MU1207-GUV	2
Reverse Idler	Needle Bearing Assembly.....	WJ162116.....	2
Misc.	O-Ring Set	□ OK-15092	1
Misc.	O-Ring Set	□ OK-15093	1
Misc.	Snap Ring Set.....	□ SR-145A.....	1
Misc.	Transmission Gasket Set.....	□ GT-131A	1

* Optional Needle Bearing Assembly. Use WJ162116 (Not Included).

■ Use Speedi-Sleeves to repair grooved shafts (Not Included) □ Not Sold Separately ● Not included in kit

TRANSMISSION KIT CONTENTS—Heavy Duty

STK146

APPLICATIONS: FULLER - RTO613, RTO6613, RT613, RT6613

APPLICATION	DESCRIPTION	PART NUMBER	QUANTITY
Aux. Output.....	Seal.....	37330.....	1
	<i>Speedi-Sleeve</i>	■ 99372	
Output Shaft (Ford).....	Seal.....	30098.....	1
	<i>Speedi-Sleeve</i>	■ 99300	
Input Shaft Pilot.....	Bushing.....	□ BS61.....	1
Input Shaft.....	Cylindrical Roller Bearing.....	□ MU1209UGMR.....	1
Input Shaft.....	Seal.....	14832.....	1
	<i>Speedi-Sleeve</i>	■ 99149	
Aux. Countershaft Front.....	Cylindrical Roller Bearing.....	MU1306-GUV.....	2
Aux. Countershaft Rear.....	Max Ball Bearing.....	310-NRJ.....	2
Countershaft Rear.....	Cylindrical Roller Bearing.....	MU1306-GUV.....	2
Countershaft Front.....	Cylindrical Roller Bearing.....	MU1207-GUV.....	2
Aux. Drive Gear.....	Ball Bearing.....	6017-NRJ.....	1
Aux. Mainshaft.....	Tapered Roller Bearing Assembly.....	A3071.....	1
Reverse Idler.....	Needle Bearing.....	WJ162116.....	2
Misc.....	Transmission Gasket Set.....	□ GT-146.....	1
Misc.....	Viton O-Ring Set.....	□ OK-1000V.....	1
Misc.....	Snap Ring.....	□ SR-15980.....	1
Misc.....	Snap Ring Set.....	□ SR-146.....	1

STK147

APPLICATIONS: SPICER - 1052, 1052A, 1054A, 1062A, 1062B, 1062C, 1062D, 1064A, 1064B, 1064C, 1252, 1252A, 1252B, 1253, 1253A, 1253B, 1254A, 1255A, 1255B, 1262, 1262A, 1262B, 1263, 1263A, 1263B, 1264A, 1265A

APPLICATION	DESCRIPTION	PART NUMBER	QUANTITY
Output Shaft.....	Ball Bearing.....	312-ZNRJ.....	1
Output Shaft.....	Seal.....	37405.....	1
	<i>Speedi-Sleeve</i>	■ 99372	
Input Shaft.....	Ball Bearing.....	6217-ZNRJX.....	1
Input Shaft.....	Seal.....	21167.....	1
	<i>Speedi-Sleeve</i>	■ 99212	
Input Shaft Pilot.....	Needle Bearing Assembly.....	JH1812.....	1
Countershaft Rear.....	Snap Ring Set.....	□ SR348-1.....	2
Reverse Idler.....	Needle Bearing Assembly.....	WJ162116.....	4
Countershaft Rear.....	Cylindrical Roller Bearing.....	MR1209-EX1.....	2
Countershaft Front.....	Ball Bearing.....	311-NRJ.....	2
Misc.....	Transmission Gasket Set.....	□ GT-147.....	1

■ Use Speedi-Sleeves to repair grooved shafts (Not Included) □ Not Sold Separately ● Not included in kit

TRANSMISSION KIT CONTENTS—Heavy Duty

STK148

APPLICATIONS: CLARK - 280V Series, 282V Series, 285V Series

APPLICATION	DESCRIPTION	PART NUMBER	QUANTITY
Output Shaft	Seal (2.625" I.D.)	26110	1
	<i>Speedi-Sleeve</i>	■ 99262	
Output Shaft	Seal (2.25" I.D.)	22446	1
	<i>Speedi-Sleeve</i>	■ 99225	
Output Shaft	Seal (2.5" I.D.)	24910	1
	<i>Speedi-Sleeve</i>	■ 99250	
Input Shaft (1972 & Later)	Seal.....	17387	1
	<i>Speedi-Sleeve</i>	■ 99174	
Input/Output Shaft	Ball Bearing.....	N6309-NRJ	2
Input Shaft Pilot	Cylindrical Roller Bearing.....	SRA5304	1
Input Shaft (1972-1966).....	Seal.....	● 12363.....	1
	<i>Speedi-Sleeve</i>	■ 99125	
Countershaft Front.....	Needle Bearing Assembly.....	M28161	1
Countershaft Rear	Ball Bearing.....	N6309-NRJ	1
Reverse Idler	Needle Bearing Assembly.....	F54970.....	2
Remote Control	Seal.....	● 8660.....	1
	<i>Speedi-Sleeve</i>	■ 99087	
Misc.	Transmission Gasket Set.....	□ GT-148.....	1

STK149

APPLICATIONS: FULLER - RTF12513, RTOF12513, RTO1213, RTO12513, RT12513

APPLICATION	DESCRIPTION	PART NUMBER	QUANTITY
Output Shaft	Seal (3.750" Shaft).....	37330.....	1
	<i>Speedi-Sleeve</i>	■ 99372	
Aux. Output Shaft	Seal (3.500" Shaft).....	34891.....	1
	<i>Speedi-Sleeve</i>	■ 99350	
Input Shaft	Ball Bearing.....	6212-ZNBRJ	1
Input Shaft Pilot	Bushing.....	BS59	1
Aux. Mainshaft.....	Tapered Roller Bearing	A2892	1
Aux. Range Shaft Quill Rear	Bushing.....	□ BS60.....	1
Aux. Range Shaft Quill Front.....	Ball Bearing.....	6204-J.....	1
Countershaft Front.....	Cylindrical Roller Bearing.....	MSN1211REX.....	2
Countershaft Rear	Cylindrical Roller Bearing.....	□ MU1308TVWS.....	2
Aux. Countershaft Front	Cylindrical Roller Bearing.....	□ MU61307GUM*	2
Aux. Countershaft Rear	Ball Bearing.....	310-ZNBR.....	2
Aux. Drive Gear	Ball Bearing.....	6018-NRJ.....	1
Reverse Idler	Needle Bearing Assembly.....	HJ223020	2
Reverse Idler	Needle Bearing Inner Race.....	IR1820-OH.....	2
Misc.	Transmission Gasket Set.....	□ GT-200N	1
Misc.	Viton O-Ring Set	□ OK-1000V.....	1
Misc.	O-Ring Set	□ OK-17453	1
Misc.	O-Ring.....	□ OR-217V.....	1
Misc.	O-Ring.....	□ OR-221V.....	1
Misc.	Clutch Nut	□ CN1	1
Misc.	Snap Ring Set.....	□ SR-149	1

* Models before 1973 use MR5208-TV (Not Included)

■ Use Speedi-Sleeves to repair grooved shafts (Not Included) □ Not Sold Separately ● Not included in kit

TRANSMISSION KIT CONTENTS—Heavy Duty

STK152

APPLICATIONS: SPICER - 1010-2A, 1010-3A, 1010-3B, 1010-4A, 1010-5A

APPLICATION	DESCRIPTION	PART NUMBER	QUANTITY
Output Shaft	Ball Bearing.....	6312-ZNRJ	1
Output Shaft	Seal.....	37405.....	1
	<i>Speedi-Sleeve</i>	■ 99372	
Input Shaft	Seal.....	21167.....	1
	<i>Speedi-Sleeve</i>	■ 99212	
Input Shaft Pilot	Needle Bearing Assembly.....	JH1812	1
Input Shaft Front.....	Ball Bearing.....	□ 6217-ZNRJX.....	1
Input Shaft Rear	Ball Bearing.....	□ 1911-S	1
Countershaft Rear	Snap Ring Set.....	□ SR348-1	2
Countershaft Rear	Cylindrical Roller Bearing.....	MR1209-EX1	2
Countershaft Front.....	Ball Bearing.....	311-NRJ.....	2
Reverse Idler	Needle Bearing Assembly.....	WJ162116.....	4
Misc.	Transmission Gasket Set.....	□ GT-147.....	1

STK155

APPLICATIONS: SPICER - RP8341, RP8341C, RP8341D, RP8341E, RP8341F, RP8341G, RP8341K, RP8341L, R8031, R8031P, R8031Q, R8031R, R831-L, R8341

APPLICATION	DESCRIPTION	PART NUMBER	QUANTITY
Output Shaft	Max Ball Bearing.....	□ 412-NRJ	1
Input/Output Shaft	Seal.....	29870.....	2
	<i>Speedi-Sleeve</i>	■ 99300	
Input Shaft Front.....	Cylindrical Roller Bearing.....	□ MR1212-EX.....	1
Input Shaft Pilot	Cylindrical Roller Bearing.....	MR1308-TV	1
Input Shaft Rear	Cylindrical Roller Bearing.....	MRB1313-EL	1
Mainshaft 3rd Speed Gear	Needle Bearing Assembly.....	□ F53542	1
Mainshaft 1st & 2nd Speed Gears..	Needle Bearing Assembly.....	□ F53543	2
Countershaft Front/Rear.....	Cylindrical Roller Bearing.....	□ MR1311GEAX	2
Shift Shaft (Top Mount).....	Seal.....	● 8702.....	2
	<i>Speedi-Sleeve</i>	■ 99087	
Shift Shaft (Side Mount)	Seal.....	● 8648.....	4
	<i>Speedi-Sleeve</i>	■ 99087	
Misc.	Transmission Gasket Set.....	□ GT-155.....	1

■ Use Speedi-Sleeves to repair grooved shafts (Not Included) □ Not Sold Separately ● Not included in kit

TRANSMISSION KIT CONTENTS—Heavy Duty

STK156

APPLICATIONS: IHC - T33, T34, T35, T494, T495, T496

APPLICATION	DESCRIPTION	PART NUMBER	QUANTITY
Output Shaft	Ball Bearing.....	6309-NRJ.....	1
Output Shaft	Seal.....	26110.....	1
	<i>Speedi-Sleeve</i>	■ 99262	
Input Shaft	Seal (1.500" Shaft).....	14832.....	1
	<i>Speedi-Sleeve</i>	■ 99149	
Input Shaft	Seal (1.25" Shaft).....	12364.....	1
	<i>Speedi-Sleeve</i>	■ 99125	
Input Shaft	Ball Bearing.....	6212-ZNRJ2	1
Input Shaft Pilot	Needle Bearing	□ J36-2048.....	1
Input Shaft Pilot (T495/T496 Models).....	Needle Bearing Assembly.....	WJ182420.....	1
Remote Control	Seal.....	7440.....	1
	<i>Speedi-Sleeve</i>	■ 99076	
Reverse Idler	Journal Bearing.....	J36-1652.....	2
Countershaft Front.....	Cylindrical Roller Bearing.....	M1207-TV	1
Countershaft Rear	Max Ball Bearing.....	308-ZNRJ	1
Shift Shaft.....	Seal.....	7409.....	1
	<i>Speedi-Sleeve</i>	■ 99076	
Misc.	Transmission Gasket Set.....	□ GT-156.....	1

STK157

APPLICATIONS: GMC - CH465, SM465 (Before 1990)

APPLICATION	DESCRIPTION	PART NUMBER	QUANTITY
Output Shaft	Seal.....	19970.....	1
	<i>Speedi-Sleeve</i>	■ 99199	
Input Shaft	Seal.....	16054.....	1
	<i>Speedi-Sleeve</i>	■ 99162	
Input Shaft	Max Ball Bearing.....	N211-NRJ	1
Input Shaft Pilot	Loose Needle Bearings.....	□ QAR34604.....	17
Countershaft Front (1978 & Earlier).....	Cylindrical Roller Bearing.....	M1305GGTV1.....	1
Countershaft Front (1979 & Later).....	Cylindrical Roller Bearing.....	R1558-TAV	1
Countershaft Rear	Max Ball Bearing.....	308-NRJ.....	2
Misc.	Transmission Gasket Set.....	□ GT-157.....	1

■ Use Speedi-Sleeves to repair grooved shafts (Not Included) □ Not Sold Separately ● Not included in kit

TRANSMISSION KIT CONTENTS—Heavy Duty

STK158

APPLICATIONS: SPICER - P1241, P1241C, P1241D, 1241, 1241C, 1241CT, 1241D

APPLICATION	DESCRIPTION	PART NUMBER	QUANTITY
Output Shaft	Ball Bearing.....	6214-NRJX	1
Output Shaft	Seal.....	39934	1
	<i>Speedi-Sleeve</i>	■ 99399	
Input Shaft Front.....	Ball Bearing.....	6212-J.....	1
Input Shaft	Seal.....	29870	1
	<i>Speedi-Sleeve</i>	■ 99300	
Input Shaft Pilot	Needle Bearing Assembly.....	JH1812	1
Input Shaft Rear	Cylindrical Roller Bearing.....	MR1213-TV	1
Countershaft Rear	Cylindrical Roller Bearing.....	MR1309-TAV	2
Countershaft Front.....	Cylindrical Roller Bearing.....	□ MU1311-RUM.....	2
Shift Rail	Seal.....	8703.....	2
	<i>Speedi-Sleeve</i>	■ 99087	
Misc.	Transmission Gasket Set.....	□ GT-158.....	1

STK159

APPLICATIONS: FULLER - RTF12515, RTOF12515, RTO12515, RT12515 (w/Ball Brg. on Front Countershaft)

APPLICATION	DESCRIPTION	PART NUMBER	QUANTITY
Output Shaft	Seal.....	37330.....	1
	<i>Speedi-Sleeve</i>	■ 99372	
Input Shaft	Ball Bearing.....	6212-ZNBRJ.....	1
Input Shaft Pilot	Bushing.....	BS59.....	1
Aux. Countershaft Rear	Ball Bearing.....	□ 5310-ENR.....	2
Aux. Countershaft Front	Cylindrical Roller Bearing.....	MR1307-TV*	2
Aux. Mainshaft.....	Tapered Roller Bearing Assembly.....	A2892	1
Aux. Mainshaft Rear.....	Seal.....	● 34891.....	1
	<i>Speedi-Sleeve</i>	■ 99350	
Aux. Drive Gear	Ball Bearing.....	6018-NRJ.....	1
Range Shaft Quill Front.....	Ball Bearing.....	6204-J.....	1
Range Shaft Quill Rear.....	Bushing.....	□ BS60.....	1
Countershaft Front.....	Cylindrical Roller Bearing.....	MSN1211REX.....	2
Countershaft Rear	Cylindrical Roller Bearing.....	□ MU1308TVWS.....	2
Reverse Idler	Needle Bearing Assembly.....	HJ223020	2
Reverse Idler	Needle Bearing Inner Race.....	IR1820-OH.....	2
Misc.	Transmission Gasket Set.....	□ GT-200N	1
Misc.	Clutch Nut	□ CN1	1
Misc.	O-Ring Set	□ OK-1000V.....	1
Misc.	Snap Ring	□ SR-159	1

* Use MR5208-TV for models before 1973 (Not Included).

■ Use Speedi-Sleeves to repair grooved shafts (Not Included) □ Not Sold Separately ● Not included in kit

TRANSMISSION KIT CONTENTS—Heavy Duty

STK159-A

APPLICATIONS: FULLER - RTF12515, RTOF12515, RTO12515, RT12515 (w/Cylindrical Brg. on Front Countershaft)

APPLICATION	DESCRIPTION	PART NUMBER	QUANTITY
Output Shaft	Seal.....	37330.....	1
	<i>Speedi-Sleeve</i>	■ 99372	
Input Shaft.....	Ball Bearing.....	6212-ZNBRJ.....	1
Input Shaft Pilot.....	Bushing.....	● BS59.....	1
Aux. Drive Gear.....	Ball Bearing.....	6018-NRJ.....	1
Aux. Mainshaft.....	Tapered Roller Bearing Assembly.....	A2892.....	1
Aux. Mainshaft Rear.....	Seal.....	● 34891.....	1
	<i>Speedi-Sleeve</i>	■ 99350	
Aux. Countershaft Front.....	Cylindrical Roller Bearing.....	MR1307-TV.....	2
Aux. Countershaft Rear.....	Ball Bearing.....	□ 5310-ENR.....	2
Countershaft Front.....	Cylindrical Bearing.....	□ BS500192SX.....	2
Countershaft Rear.....	Cylindrical Roller Bearing.....	□ MU1308TVWS.....	2
Range Shaft Quill Rear.....	Bushing.....	□ BS60.....	1
Range Shaft Quill Front.....	Ball Bearing.....	6204-J.....	1
Reverse Idler.....	Needle Bearing Assembly.....	HJ223020.....	2
Reverse Idler.....	Needle Bearing Inner Race.....	IR1820-OH.....	2
Misc.....	Transmission Gasket Set.....	□ GT-200N.....	1
Misc.....	O-Ring Set.....	□ OK-1000V.....	1
Misc.....	Clutch Nut.....	□ CN1.....	1
Misc.....	Snap Ring.....	□ SR-159.....	1

STK167

APPLICATIONS: ROCKWELL - T223H18, T233H (Transfer Case)

APPLICATION	DESCRIPTION	PART NUMBER	QUANTITY
Lower Output Shaft Front.....	Ball Bearing.....	208-NRJ.....	1
Lower Output Shaft Rear.....	Ball Bearing.....	211-ZNRJ.....	1
Upper Output Shaft Rear.....	Tapered Roller Bearing (Cone/Cup).....	BR25584/BR25520.....	1
Upper Output Shaft Front.....	Tapered Roller Bearing (Cone/Cup).....	BR25878/BR25821.....	1
Input Shaft Rear.....	Ball Bearing.....	307-ZNRJ.....	1
Input Shaft Front.....	Ball Bearing.....	309-ZNRJ.....	1
Input Shaft/Rear Output Shaft.....	Seal.....	22340.....	2
	<i>Speedi-Sleeve</i>	■ 99225	
Idler Gear Rear.....	Tapered Roller Bearing (Cone/Cup).....	BR31597/BR31521.....	1
Declutch Shaft.....	Seal.....	26190.....	1
	<i>Speedi-Sleeve</i>	■ 99262	
PTO Shaft.....	Seal.....	21100.....	1
	<i>Speedi-Sleeve</i>	■ 99212	
Shift Shaft.....	Seal.....	7440.....	2
	<i>Speedi-Sleeve</i>	■ 99076	
Idler Gear Front.....	Tapered Roller Bearing (Cone/Cup).....	HM89449/HM89411.....	1
Misc.....	3 oz Silicone Blue.....	□ SEALANT.....	1

■ Use Speedi-Sleeves to repair grooved shafts (Not Included) □ Not Sold Separately ● Not included in kit

TRANSMISSION KIT CONTENTS—Heavy Duty

STK180

APPLICATIONS: SPICER - CM50, CM5052, CM5052A, CM5052B, CM5052C, CM5052D, CM5252, CM5252A, CM55, CM5552A, CM5552B, CM5552C, CM5552D, CM5852A, 5000, 5052, 5052A, 5052B, 5052C, 5252, 5252A, 5552B, 5552C, 5552D

APPLICATION	DESCRIPTION	PART NUMBER	QUANTITY
Output Shaft	Seal.....	● 27295.....	1
	<i>Speedi-Sleeve</i>	■ 99274.....	
Output Shaft	Seal (2.75" Shaft).....	27370.....	1
	<i>Speedi-Sleeve</i>	■ 99274.....	
Output Shaft	Seal (2.5" Shaft).....	24910.....	1
	<i>Speedi-Sleeve</i>	■ 99250.....	
Input Shaft	Seal.....	17810.....	1
	<i>Speedi-Sleeve</i>	■ 99179.....	
Input Shaft Pilot	Tapered Roller Bearing	BR2580.....	1
Input/Output Shaft	Tapered Roller Bearing (Cone/Cup).....	JM511946/JM511910.....	2
Countershaft Front/Rear.....	Tapered Roller Bearing (Cone/Cup).....	BR25584/BR25520.....	2
Mainshaft 2nd Gear	Loose Needle Bearings.....	□ C437-Q.....	61
Mainshaft 1st Gear & Reverse Gear...	Needle Bearing Assembly.....	F81205.....	2
Reverse Idler	Needle Bearing Assembly.....	WJ162116.....	2
Remote Control	Seal.....	● 8648.....	2
Misc.	Transmission Gasket Set.....	□ GT-180.....	1

STK183

APPLICATIONS: IHC - T698, T699

APPLICATION	DESCRIPTION	PART NUMBER	QUANTITY
Output Shaft	Ball Bearing.....	6309-NRJ.....	1
Output Shaft	Seal.....	26110.....	1
	<i>Speedi-Sleeve</i>	■ 99262.....	
Input Shaft	Seal (1.5" Shaft).....	14832.....	1
	<i>Speedi-Sleeve</i>	■ 99149.....	
Input Shaft	Seal (1.25" Shaft).....	12364.....	1
	<i>Speedi-Sleeve</i>	■ 99125.....	
Input Shaft	Ball Bearing.....	6212-ZNRJ2	1
Input Shaft Pilot	Needle Bearing Assembly.....	WJ182420.....	1
Reverse Idler	Journal Bearing.....	J36-1652.....	4
Thrust Spacer	Needle Bearing Assembly.....	□ JB53851	1
Countershaft Front.....	Cylindrical Roller Bearing.....	M1207-TV	1
Countershaft Rear	Max Ball Bearing.....	308-ZNRJ	1
1st Gear.....	Loose Needle Bearings.....	□ Q8308.....	116
2nd Gear.....	Loose Needle Bearings.....	Q8371	110
Reverse Gear	Loose Needle Bearings.....	□ Q8308.....	116
Misc.	Transmission Gasket Set.....	□ GT-156.....	1

■ Use Speedi-Sleeves to repair grooved shafts (Not Included) □ Not Sold Separately ● Not included in kit

TRANSMISSION KIT CONTENTS—Heavy Duty

STK187

APPLICATIONS: MACK - TRDLG1070, TRDL107, TRDL1070, TRXL107, TRXL1071, TRXL1071A

APPLICATION	DESCRIPTION	PART NUMBER	QUANTITY
Output Shaft Front	Ball Bearing	6214-ZNRJ	1
Output Shaft	Seal	20599	1
	<i>Speedi-Sleeve</i>	■ 99205	
Output Shaft Pilot	Needle Bearing	B2416	1
Output Shaft Pilot	Needle Bearing	IR2016	1
Output Shaft Rear	Cylindrical Roller Bearing	MA1213-TV	1
Input Shaft	Seal	35083	1
	<i>Speedi-Sleeve</i>	■ 99350	
Input Shaft	Ball Bearing	6214-ZNRJ	1
Input Shaft Pilot	Ball Bearing	7205-J	1
Reverse Idler	Needle Bearing	J36-1648	3
Countershaft Rear	Cylindrical Roller Bearing	M5209-TV	3
Countershaft Front	Ball Bearing	6308-NRJ	3
Rear Countershaft Front	Cylindrical Bearing	□ MAR5209	3
Rear Countershaft Front	Cylindrical Roller Bearing	M1209-TV	3
Rear Countershaft Rear	Max Ball Bearing	208-NRJ	3
Shift Rail	Needle Bearing Assembly	SCE2014-P	3
Shift Rail	Seal	7414	2
	<i>Speedi-Sleeve</i>	■ 99076	
Countershaft Rear	Cylindrical Bearing	□ MAR5209	3
Clutch Release	Seal	12330	1
	<i>Speedi-Sleeve</i>	■ 99125	
Misc.	Transmission Gasket Set	□ GT-213	1
Misc.	Snap Ring Set	□ SR-187	1
Misc.	O-Ring Set	□ OK-6561	1

STK190

APPLICATIONS: CLARK - 280VHD Series, 280VOHD Series, 282VHD Series, 285VHD Series

APPLICATION	DESCRIPTION	PART NUMBER	QUANTITY
Output Shaft	Tapered Roller Bearing (Cone/Cup)	BR25584/25547-RB	1
Output Shaft	Seal (2.5" Shaft)	24910	1
	<i>Speedi-Sleeve</i>	■ 99250	
Output Shaft	Seal (2.75" Shaft)	27292	1
	<i>Speedi-Sleeve</i>	■ 99274	
Input Shaft	Seal	16247	1
	<i>Speedi-Sleeve</i>	■ 99162	
Input Shaft	Tapered Roller Bearing (Cone/Cup)	M802048/M802011	1
Reverse Idler	Needle Bearing	J36-1644*	2
Countershaft Front	Needle Bearing Assembly	M28161	1
Countershaft Rear	Cylindrical Roller Bearing	□ MU1309SGNV	1
4th & 5th Shift Hub Bearing	Needle Bearing Assembly	FA35688	1
4th & 5th Shift Hub Race	Needle Bearing	□ TR235383	1
Misc.	Transmission Gasket Set	□ GT-148	1

* Some late GMC models may use F54970 (Not Included)

■ Use Speedi-Sleeves to repair grooved shafts (Not Included) □ Not Sold Separately ● Not included in kit

TRANSMISSION KIT CONTENTS—Heavy Duty

STK192

APPLICATIONS: SPICER - 1352, 1352A, 1362A, 1362B, 1362C, 1364C, 1452, 1452A, 1453, 1453A, 1453B, 1463A

APPLICATION	DESCRIPTION	PART NUMBER	QUANTITY
Output Shaft	Ball Bearing.....	6214-ZNRJ	1
Input Shaft	Seal (2.125" Shaft).....	21167	1
	<i>Speedi-Sleeve</i>	■ 99212	
Input Shaft	Seal (1.625" Shaft).....	16247	1
	<i>Speedi-Sleeve</i>	■ 99162	
Input Shaft Pilot	Cylindrical Roller Bearing.....	□ MR1205-TV	1
Input Shaft	Cylindrical Roller Bearing.....	□ MR1211-GEX	1
Countershaft Rear	Snap Ring Set.....	□ SR348-1	2
Countershaft Front.....	Ball Bearing.....	311-NRJ.....	2
Countershaft Rear	Cylindrical Roller Bearing.....	MR1209-EX1*.....	2
Mainshaft Rear	Seal.....	37405.....	1
	<i>Speedi-Sleeve</i>	■ 99372	
Reverse Idler	Needle Bearing Assembly.....	WJ162116.....	4
Misc.	Transmission Gasket Set.....	□ GT-192.....	1

* For GMC models use MU1209-TM (Not Included).

STK202

APPLICATIONS: FULLER - RTOF11607LL, RTO11607LL

APPLICATION	DESCRIPTION	PART NUMBER	QUANTITY
Input Shaft	Ball Bearing.....	6212-ZNBRJ	1
Input Shaft Pilot	Bushing.....	BS59.....	1
Input Shaft Nut.....	Clutch Nut	□ CN1	1
Aux. Countershaft Front	Cylindrical Roller Bearing.....	MR1307-TV	2
Aux. Countershaft Rear	Ball Bearing.....	5310-WNRX.....	2
Countershaft Front.....	Cylindrical Bearing.....	□ BS500192SX.....	2
Countershaft Rear	Cylindrical Roller Bearing.....	□ MU1308TVWS.....	2
Aux. Drive Gear	Ball Bearing.....	6018-NRJ.....	1
Aux. Mainshaft Rear	Seal.....	37330.....	1
	<i>Speedi-Sleeve</i>	■ 99372	
Aux. Mainshaft.....	Tapered Roller Bearing Assembly.....	A2892	1
Range Shaft Quill Rear.....	Bushing.....	□ BS60.....	1
Range Shaft Quill Front.....	Ball Bearing.....	6204-J.....	1
Reverse Idler	Needle Bearing Assembly.....	HJ223020	2
Reverse Idler	Needle Bearing Inner Race.....	IR1820-OH.....	2
Misc.	O-Ring Set	□ OK-1000V.....	1
Misc.	O-Ring Set	□ OK-17453.....	1
Misc.	Snap Ring	□ SR-202	1
Misc.	Transmission Gasket Set.....	□ GT-200N.....	1

■ Use Speedi-Sleeves to repair grooved shafts (Not Included) □ Not Sold Separately ● Not included in kit

TRANSMISSION KIT CONTENTS—Heavy Duty

STK203

APPLICATIONS: FULLER - RTF11608, RTF11609A, RTF11610, RTF11613, RTF11615, RTOF11608LL, RTOF11609A, RTOF11609B, RTOF11610, RTOF11613, RTOF11613, RTOO11613, RTOO11613, RTO11608LL, RTO11609, RTO11609A, RTO11609B, RTO11610, RTO11613, RTO11615, RTXF11609B, RT11608, RT11608A, RT11609, RT11609A, RT11610, RT11613, RT11615

APPLICATION	DESCRIPTION	PART NUMBER	QUANTITY
Input Shaft	Ball Bearing.....	6212-ZNBRJ	1
Input Shaft Nut.....	Clutch Nut	<input type="checkbox"/> CN1	1
Input Shaft Pilot	Bushing	BS59	1
Range Shaft Quill Rear.....	Bushing	<input type="checkbox"/> BS60.....	1
Range Shaft Quill Front.....	Ball Bearing.....	6204-J.....	1
Aux. Drive Gear	Ball Bearing.....	6018-NRJ.....	1
Aux. Countershaft Rear	Max Ball Bearing.....	310-NRJ.....	2
Aux. Countershaft Front	Cylindrical Roller Bearing.....	MR1307-TV	2
Countershaft Rear	Cylindrical Roller Bearing.....	<input type="checkbox"/> MU1308TVWS*	2
Countershaft Front.....	Cylindrical Bearing	<input type="checkbox"/> BS500192SX.....	2
Mainshaft.....	Seal.....	37330.....	1
	<i>Speedi-Sleeve</i>	<input checked="" type="checkbox"/> 99372	
Aux. Mainshaft.....	Tapered Roller Bearing Assembly.....	A3071	1
Reverse Idler	Needle Bearing Assembly.....	HJ223020	2
Reverse Idler	Needle Bearing Inner Race.....	IR1820-OH.....	2
Misc.	Transmission Gasket Set.....	<input type="checkbox"/> GT-200N	1
Misc.	O-Ring Set	<input type="checkbox"/> OK-1000V	1
Misc.	O-Ring Set	<input type="checkbox"/> OK-17453	1
Misc.	Snap Ring	<input type="checkbox"/> SR-159	1

* For RT11613 series only use (2) MR1308-TV (Not Included)

STK205

APPLICATIONS: FULLER - RTF12509, RTF12510, RTF14608, RTF14609A, RTF14610, RTOF12509, RTOF12510, RTOF14609A, RTOF14609B, RTOF14610, RTO12509, RTO12510, RTO14609A, RTO14609B, RT12509, RT12510, RT1258LL, RT14608, RT14609, RT14609A, RT14609B, RT14610, RT14610A (w/Cylindrical Brg. on Front Countershaft)

APPLICATION	DESCRIPTION	PART NUMBER	QUANTITY
Input Shaft	Ball Bearing.....	6212-ZNBRJ	1
Input Shaft Pilot	Bushing	BS59*	1
Input Shaft Nut.....	Clutch Nut	<input type="checkbox"/> CN1	1
Aux. Countershaft Front	Cylindrical Roller Bearing.....	MR1307-TV	2
Aux. Countershaft Rear	Ball Bearing.....	311-NRJ.....	2
Countershaft Rear	Cylindrical Roller Bearing.....	<input type="checkbox"/> MU1308TVWS	2
Countershaft Front.....	Cylindrical Bearing	<input type="checkbox"/> BS500192SX.....	2
Aux. Mainshaft Rear.....	Seal.....	37330.....	1
	<i>Speedi-Sleeve</i>	<input checked="" type="checkbox"/> 99372	
Aux. Mainshaft.....	Tapered Roller Bearing Assembly.....	A2892	1
Aux. Drive Gear	Ball Bearing.....	6018-NRJ.....	1
Reverse Idler	Needle Bearing Assembly.....	HJ223020	2
Reverse Idler	Needle Bearing Inner Race.....	IR1820-OH.....	2
Misc.	Transmission Gasket Set.....	<input type="checkbox"/> GT-200N	1
Misc.	O-Ring Set	<input type="checkbox"/> OK-1000V	1
Misc.	O-Ring Set	<input type="checkbox"/> OK-17453	1
Misc.	Snap Ring Set.....	<input type="checkbox"/> SR-160	1

* For RTO14609A, RTO14609B & RT14609A

Use Speedi-Sleeves to repair grooved shafts (Not Included) Not Sold Separately ● Not included in kit

TRANSMISSION KIT CONTENTS—Heavy Duty

STK206

APPLICATIONS: FULLER - RTF14613, RTOF14613, RTOO14613, RTO14613, RTO15613, RT14613, RT15613

APPLICATION	DESCRIPTION	PART NUMBER	QUANTITY
Input Shaft	Ball Bearing.....	6212-ZNBRJ	1
Input Shaft Pilot	Bushing.....	BS59	1
Input Shaft Nut.....	Clutch Nut	<input type="checkbox"/> CN1	1
Countershaft Rear	Cylindrical Roller Bearing.....	<input type="checkbox"/> MU1308TVWS.....	2
Countershaft Front.....	Cylindrical Bearing.....	<input type="checkbox"/> BS500192SX.....	2
Aux. Countershaft Front	Cylindrical Roller Bearing.....	<input type="checkbox"/> MU61307GUM.....	2
Aux. Countershaft Rear	Ball Bearing.....	310-ZNBR.....	2
Aux. Mainshaft Rear	Seal.....	37330.....	1
	<i>Speedi-Sleeve</i>	<input checked="" type="checkbox"/> 99372	
Aux. Mainshaft.....	Tapered Roller Bearing Assembly.....	A2892	1
Range Shaft Quill Rear.....	Bushing.....	<input type="checkbox"/> BS60.....	1
Range Shaft Quill Front.....	Ball Bearing.....	6204-J.....	1
Reverse Idler	Needle Bearing Assembly.....	HJ223020	2
Reverse Idler	Needle Bearing Inner Race.....	IR1820-OH.....	2
Aux. Drive Gear	Ball Bearing.....	6018-NRJ.....	1
Misc.	Transmission Gasket Set.....	<input type="checkbox"/> GT-200N	1
Misc.	O-Ring Set	<input type="checkbox"/> OK-1000V.....	1
Misc.	O-Ring Set	<input type="checkbox"/> OK-17453	1
Misc.	O-Ring.....	<input type="checkbox"/> OR-217V.....	1
Misc.	O-Ring.....	<input type="checkbox"/> OR-221V.....	1
Misc.	Snap Ring	<input type="checkbox"/> SR-159	1

STK207

APPLICATIONS: FULLER - RTF14615, RTOF11708LL, RTOF1258LL, RTOF14608LL, RTOF14615, RTOF14708LL, RTO1258LL, RTO14608LL, RTO14615, RTO14708LL, RTO15715, RT14615, RT15715

APPLICATION	DESCRIPTION	PART NUMBER	QUANTITY
Input Shaft	Ball Bearing.....	6212-ZNBRJ	1
Input Shaft Pilot	Bushing.....	BS59	1
Input Shaft Nut.....	Clutch Nut	<input type="checkbox"/> CN1	1
Countershaft Rear	Cylindrical Roller Bearing.....	<input type="checkbox"/> MU1308TVWS.....	2
Countershaft Front.....	Cylindrical Bearing.....	<input type="checkbox"/> BS500192SX.....	2
Aux. Countershaft Front	Cylindrical Roller Bearing.....	MR1307-TV	2
Aux. Countershaft Rear	Ball Bearing.....	5310-WNRX.....	2
Aux. Mainshaft Rear	Seal.....	37330.....	1
	<i>Speedi-Sleeve</i>	<input checked="" type="checkbox"/> 99372	
Aux. Mainshaft.....	Tapered Roller Bearing Assembly.....	A2892	1
Range Shaft Quill Rear.....	Bushing.....	<input type="checkbox"/> BS60.....	1
Range Shaft Quill Front.....	Ball Bearing.....	6204-J.....	1
Reverse Idler	Needle Bearing Assembly.....	HJ223020	2
Reverse Idler	Needle Bearing Inner Race.....	IR1820-OH.....	2
Aux. Drive Gear	Ball Bearing.....	6018-NRJ.....	1
Misc.	Transmission Gasket Set.....	<input type="checkbox"/> GT-200N	1
Misc.	O-Ring Set	<input type="checkbox"/> OK-1000V.....	1
Misc.	O-Ring Set	<input type="checkbox"/> OK-17453	1
Misc.	Snap Ring Set.....	<input type="checkbox"/> SR-207	1

Use Speedi-Sleeves to repair grooved shafts (Not Included) Not Sold Separately ● Not included in kit

TRANSMISSION KIT CONTENTS—Heavy Duty

STK208

APPLICATIONS: CLARK - 450, 4501, 450172, 455, 4551, 45510, 45516, 45517, 45518, 455185, 45519, 4552, 45520, 45521, 45522, 45523, 4553, 4554, 4555, 4557, 4558, 4559, 457, 4571, 45716, 45717, 45718, 45719, 4572, 4573, 4574, 4575, 4577, 4578 (w/1.625" Driveshaft O.D.)

APPLICATION	DESCRIPTION	PART NUMBER	QUANTITY
Output Shaft	Tapered Roller Bearing (Cone/Cup).....	BR25581/BR25520.....	1
Output Shaft	Seal (2.5" Shaft).....	24910.....	1
	<i>Speedi-Sleeve</i>	■ 99250	
Output Shaft	Seal (2.25" Shaft).....	22640.....	1
	<i>Speedi-Sleeve</i>	■ 99225	
Input Shaft	Tapered Roller Bearing (Cone/Cup).....	M802048/M802011	1
Input Shaft	Seal.....	16247	1
	<i>Speedi-Sleeve</i>	■ 99162	
Input Shaft Pilot	Loose Needle Bearings.....	□ QBR49845.....	14
Reverse Speed Gear.....	Needle Bearing Assembly.....	F84003.....	2
Mainshaft 4th Gear.....	Needle Bearing Assembly.....	F94488.....	1
Mainshaft 1st & 2nd Gear.....	Needle Bearing Assembly.....	F94490.....	2
Countershaft Front.....	Tapered Roller Bearing (Cone/Cup).....	BR25877/BR25821	1
Countershaft Rear	Tapered Roller Bearing (Cone/Cup).....	BR2689/BR2631	1
4th & 5th Shift Hub Bearing	Needle Thrust Bearing	FA35688	1
4th & 5th Shift Hub Race.....	Needle Bearing Race.....	□ TR235383.....	1
Misc.	Transmission Gasket Set.....	□ GT-208.....	1

STK208-D

APPLICATIONS: CLARK - CL450; FULLER - FS4005 with 1.75" Input

APPLICATION	DESCRIPTION	PART NUMBER	QUANTITY
Output Shaft	Tapered Roller Bearing (Cone/Cup).....	BR25581/BR25520.....	1
Output Shaft	Seal.....	22640.....	1
	<i>Speedi-Sleeve</i>	■ 99225	
Input Shaft	Seal.....	18763.....	1
Input Shaft	Tapered Roller Bearing (Cone/Cup).....	M804049/M804010.....	1
Input Shaft Pilot	Loose Needle Bearings.....	□ QBR49845.....	14
Mainshaft 3rd Gear/Reverse Idler ..	Needle Bearing Assembly.....	F84003.....	2
Mainshaft 4th Gear.....	Needle Bearing Assembly.....	F94488.....	1
Mainshaft 1st & 2nd Gear.....	Needle Bearing Assembly.....	F94490.....	2
4th & 5th Shift Hub Bearing	Needle Thrust Bearing	FA35688	1
4th & 5th Shift Hub Race.....	Needle Thrust Bearing	□ TR235383.....	1
Countershaft Front.....	Tapered Roller Bearing (Cone/Cup).....	BR25877/BR25821	1
Countershaft Rear	Tapered Roller Bearing (Cone/Cup).....	BR2689/BR2631.....	1
Reverse Idler	Loose Needle Bearings.....	QA48181.....	56
Misc.	Transmission Gasket Set.....	□ GT-208.....	1

■ Use Speedi-Sleeves to repair grooved shafts (Not Included) □ Not Sold Separately ● Not included in kit

TRANSMISSION KIT CONTENTS—Heavy Duty

STK210

APPLICATIONS: SPICER - CM40, CM4054A, CM4054D, 4054A, 4054D

APPLICATION	DESCRIPTION	PART NUMBER	QUANTITY
Output Shaft	Seal.....	27293.....	1
	<i>Speedi-Sleeve</i>	■ 99274	
Input/Output Shaft	Ball Bearing.....	□ BB1-1211-RS1NRVFPs	2
Input Shaft Pilot.....	Needle Bearing Assembly.....	SCE2420	1
Drive Gear	Seal (1.813" Shaft).....	● 18049*	1
	<i>Speedi-Sleeve</i>	■ 99181	
Drive Gear	Seal (1.563" Shaft).....	15506.....	1
	<i>Speedi-Sleeve</i>	■ 99156	
Countershaft Rear	Tapered Roller Bearing (Cone/Cup).....	LM102949/LM102910.....	1
Countershaft Front.....	Tapered Roller Bearing (Cone/Cup).....	LM48548/LM48510.....	1
Reverse Idler	Needle Bearing Assembly.....	WJ162116.....	2
Mainshaft 1st/Reverse Gear.....	Needle Bearing Assembly.....	F93290.....	2
Mainshaft 2nd Gear	Needle Bearing Assembly.....	F95407.....	1
Misc.	Transmission Gasket Set.....	□ GT-210.....	1

* With Ford E4HT7003ATA, BNA, E5HT-JA, KA

STK213

APPLICATIONS: MACK - TRTXL1070, TRTXL1070B

APPLICATION	DESCRIPTION	PART NUMBER	QUANTITY
Output Shaft	Seal.....	35083.....	1
	<i>Speedi-Sleeve</i>	■ 99350	
Output Shaft Pilot	Needle Bearing	B2416	1
Output Shaft Pilot	Needle Bearing	IR2016	1
Output Shaft Rear.....	Cylindrical Roller Bearing.....	MA1213-TV.....	1
Output Shaft Front.....	Ball Bearing.....	6214-ZNRJ	1
Input Shaft	Seal.....	20599.....	1
	<i>Speedi-Sleeve</i>	■ 99205	
Input Shaft	Ball Bearing.....	6214-ZNRJ	1
Compound Case Countershaft Fr..	Ball Bearing.....	6308-NRJ.....	3
Compound Case Countershaft Rr..	Ball Bearing.....	6206-J.....	3
Clutch Release Shaft.....	Seal.....	12330.....	1
	<i>Speedi-Sleeve</i>	■ 99125	
Countershaft Front.....	Ball Bearing.....	6308-NRJ.....	3
Countershaft Rear	Cylindrical Roller Bearing.....	M5209-TV	3
Countershaft Rear	Cylindrical Bearing	□ MAR5209.....	3
Rear Countershaft Rear	Max Ball Bearing.....	208-NRJ.....	3
Rear Countershaft Front.....	Cylindrical Roller Bearing.....	MA1209-TV.....	3
Rear Countershaft Front.....	Cylindrical Bearing	□ MAR5209.....	3
Input Shaft Pilot	Cylindrical Roller Bearing.....	MA1205-TV.....	1
Main Drive Gear	Ball Bearing.....	6214-ZNRJ	1
Main Drive Gear Pilot	Ball Bearing.....	7205-J.....	1
Shift Rail	Seal.....	7414.....	1
	<i>Speedi-Sleeve</i>	■ 99076	
Shift Rail	Needle Bearing Assembly.....	SCE2014-P.....	2
Reverse Idler	Journal Bearing.....	J36-1648.....	3
Misc.	Transmission Gasket Set.....	□ GT-213.....	1
Misc.	Snap Ring for 6308-NRJ.....	□ MS362	3
Misc.	Snap Ring Set.....	□ SR-213	1

■ Use Speedi-Sleeves to repair grooved shafts (Not Included) □ Not Sold Separately ● Not included in kit

TRANSMISSION KIT CONTENTS—Heavy Duty

STK390-F

APPLICATIONS: CLARK - 390V Series, 397V Series, 550, 551, 5511, 55110, 55113, 55114, 551198, 5512, 5513, 5515, 5516, 5517, 5518, 5519, 557, 5571, 55712, 55713, 55715, 5574, 5575, 5576, 5577, 5578, 5579, 558 (w/1.625" Driveshaft O.D. and 2.000" Mainshaft O.D.)

APPLICATION	DESCRIPTION	PART NUMBER	QUANTITY
Output Shaft	Tapered Roller Bearing (Cone/Cup).....	BR28580/28527-RB.....	1
Input Shaft	Seal.....	16247.....	1
	<i>Speedi-Sleeve</i>	■ 99162	
Input Shaft	Tapered Roller Bearing (Cone/Cup).....	M802048/M802011	1
Input Shaft Pilot	Loose Needle Bearings.....	□ QBR49845.....	14
Countershaft Front.....	Needle Bearing Assembly.....	DD46386.....	1
Countershaft Rear	Cylindrical Roller Bearing.....	MU1309-GUM.....	1
Mainshaft 4th Gear	Needle Bearing	F94488.....	1
Mainshaft 2nd, 3rd & Reverse Gear	Needle Bearing	F94490.....	3
Mainshaft Gear	Loose Needle Bearings.....	QA48181.....	112
	Seal.....	27295.....	1
	<i>Speedi-Sleeve</i>	■ 99274	
4th & 5th Shift Hub Bearing	Needle Bearing Assembly.....	FA35688	1
4th & 5th Shift Hub Race.....	Needle Bearing	□ TR235383.....	1
Reverse Idler	Loose Needle Bearings.....	QA47838.....	52
Misc.	Transmission Gasket Set.....	□ GT-390FGH	1

STK390-G

APPLICATIONS: CLARK - 390V, 390V15, 390V16, 390V17, 390V18, 390V19, 390V2, 390V205, 390V206, 390V207, 390V208, 390V209, 390V23, 390V3, 397V, 397V12, 397V15, 397V17, 397V19, 397V2, 397V204, 397V205, 397V207, 397V208, 397V5, 550, 551, 5511, 55110, 55113, 55114, 551198, 5512, 5513, 5515, 5516, 5517, 5518, 5519, 557, 5571, 55712, 55713, 55715, 5574, 5575, 5576, 5577, 5578, 5579, 558 (w/1.625" Driveshaft O.D. and 1.771" Mainshaft O.D.)

APPLICATION	DESCRIPTION	PART NUMBER	QUANTITY
Output Shaft	Tapered Roller Bearing (Cone/Cup).....	BR25584/25547-RB.....	1
Input Shaft	Seal (1.625" Shaft).....	16247.....	1
	<i>Speedi-Sleeve</i>	■ 99162	
Input Shaft	Tapered Roller Bearing (Cone/Cup).....	M802048/M802011	1
Input Shaft Pilot	Loose Needle Bearings.....	□ QBR49845.....	14
Driveshaft Rear.....	Seal (1.875" Shaft).....	18555.....	1
	<i>Speedi-Sleeve</i>	■ 99187	
Mainshaft Gear	Loose Needle Bearings.....	QA48181.....	112
Mainshaft Rear	Seal (2.50" Shaft).....	24910.....	1
	<i>Speedi-Sleeve</i>	■ 99250	
Mainshaft Rear	Seal (2.75" Shaft).....	27272.....	1
	<i>Speedi-Sleeve</i>	■ 99274	
Mainshaft 4th Gear	Needle Bearing	F94488.....	1
Mainshaft 2nd, 3rd & Reverse Gear	Needle Bearing	F94490.....	3
4th & 5th Shift Hub Bearing	Needle Bearing Assembly.....	FA35688	1
4th & 5th Shift Hub Race.....	Needle Bearing	□ TR235383.....	1
Countershaft Rear	Cylindrical Roller Bearing.....	MU1309-GUM.....	1
Countershaft Front.....	Needle Bearing Assembly.....	DD46386.....	1
Reverse Idler	Loose Needle Bearings.....	QA47838.....	52
Misc.	Transmission Gasket Set.....	□ GT-390FGH	1

■ Use Speedi-Sleeves to repair grooved shafts (Not Included) □ Not Sold Separately ● Not included in kit

TRANSMISSION KIT CONTENTS—Heavy Duty

STK390-H

APPLICATIONS: CLARK - 390V, 390V15, 390V16, 390V17, 390V18, 390V19, 390V2, 390V205, 390V206, 390V207, 390V208, 390V209, 390V23, 390V3, 397V, 397V12, 397V15, 397V17, 397V19, 397V2, 397V204, 397V205, 397V207, 397V208, 397V5, 550, 551, 5511, 55110, 55113, 55114, 551198, 5512, 5513, 5515, 5516, 5517, 5518, 5519, 557, 5571, 55712, 55713, 55715, 5574, 5575, 5576, 5577, 5578, 5579, 558 (w/1.875" Driveshaft O.D. and 2.000" Mainshaft O.D.)

APPLICATION	DESCRIPTION	PART NUMBER	QUANTITY
Output Shaft (I.H.)	Seal	26110	1
	Speedi-Sleeve	■ 99262	
Output Shaft (GMC)	Seal	27272	1
	Speedi-Sleeve	■ 99274	
Input Shaft	Seal	18555	1
	Speedi-Sleeve	■ 99187	
Input Shaft	Tapered Roller Bearing (Cone/Cup)	M804049/M804010	1
Input Shaft Pilot	Loose Needle Bearings	□ QBR49845	14
Countershaft Front	Needle Bearing Assembly	DD46386	1
Countershaft Rear	Cylindrical Roller Bearing	MU1309-GUM	1
Mainshaft Gear	Loose Needle Bearings	QA48181	112
Mainshaft Rear	Tapered Roller Bearing (Cone/Cup)	BR28580/28527-RB	1
Mainshaft 4th Gear	Needle Bearing	F94488	1
Mainshaft 2nd, 3rd & Reverse Gear	Needle Bearing	F94490	3
4th & 5th Shift Hub Bearing	Needle Bearing Assembly	FA35688	1
4th & 5th Shift Hub Race	Needle Bearing	□ TR235383	1
Reverse Idler	Loose Needle Bearings	QA47838	52
Misc.	Transmission Gasket Set	□ GT-390FGH	1

STK395-F

APPLICATIONS: FULLER - FORD Applications - FS5005 (1.50" Input, 2.00" Output)

APPLICATION	DESCRIPTION	PART NUMBER	QUANTITY
Output Shaft	Tapered Roller Bearing (Cone/Cup)	BR28580/28527-RB	1
Output Shaft	Seal	27295	1
	Speedi-Sleeve	■ 99274	
Input Shaft	Tapered Roller Bearing (Cone/Cup)	M802048/M802011	1
Input Shaft	Seal	16247	1
	Speedi-Sleeve	■ 99162	
Input Shaft Pilot	Loose Needle Bearings	□ QBR49845	14
Mainshaft 1st Gear	Loose Needle Bearings	QA48181	112
Mainshaft 4th Gear	Needle Bearing Assembly	F94488	1
Mainshaft 2nd & 3rd & Reverse Gear	Needle Bearing Assembly	F94490	3
Countershaft Front/Rear	Tapered Roller Bearing (Cone/Cup)	BR25590/BR25520	2
4th & 5th Shift Hub Bearing	Needle Thrust Bearing	FA35688	1
4th & 5th Shift Hub Race	Needle Thrust Bearing	□ TR235383	1
Reverse Idler	Loose Needle Bearings	QA47838	52
Misc.	Transmission Gasket Set	□ GT-390FGH	1

■ Use Speedi-Sleeves to repair grooved shafts (Not Included) □ Not Sold Separately ● Not included in kit

TRANSMISSION KIT CONTENTS—Heavy Duty

STK395-G

APPLICATIONS: Fuller - GM Applications - FS5005 (1.50" Input, 1.75" Output)

APPLICATION	DESCRIPTION	PART NUMBER	QUANTITY
Output Shaft	Tapered Roller Bearing (Cone/Cup).....	BR25584/25547-RB.....	1
Output Shaft	Seal.....	22640.....	1
	<i>Speedi-Sleeve</i>	■ 99225	
Input Shaft	Seal.....	16247.....	1
	<i>Speedi-Sleeve</i>	■ 99162	
Input Shaft	Tapered Roller Bearing (Cone/Cup).....	M802048/M802011	1
Input Shaft Pilot	Loose Needle Bearings.....	□ QBR49845.....	14
Mainshaft 1st Gear	Loose Needle Bearings.....	QA48181.....	112
Mainshaft 4th Gear	Needle Bearing Assembly.....	F94488.....	1
Mainshaft 3rd & Reverse Gear	Needle Bearing Assembly.....	F94490.....	3
4th & 5th Shift Hub Bearing	Needle Thrust Bearing	FA35688	1
4th & 5th Shift Hub Race	Needle Thrust Bearing	□ TR235383.....	1
Countershaft Front/Rear.....	Tapered Roller Bearing (Cone/Cup).....	BR25590/BR25520.....	2
Reverse Idler	Loose Needle Bearings.....	QA47838.....	52
Misc.	Transmission Gasket Set.....	□ GT-390FGH.....	1

STK395-H

APPLICATIONS: FULLER - FS5005 (1.75" Input, 2.00" Output)

APPLICATION	DESCRIPTION	PART NUMBER	QUANTITY
Output Shaft	Tapered Roller Bearing (Cone/Cup).....	BR28580/28527-RB.....	1
Output Shaft	Seal (2.625" Shaft).....	26110.....	1
	<i>Speedi-Sleeve</i>	■ 99262	
Output Shaft	Seal (2.75" Shaft).....	27295.....	1
	<i>Speedi-Sleeve</i>	■ 99274	
Input Shaft	Seal.....	18555.....	1
	<i>Speedi-Sleeve</i>	■ 99187	
Input Shaft	Tapered Roller Bearing (Cone/Cup).....	M804049/M804010.....	1
Input Shaft Pilot	Loose Needle Bearings.....	□ QBR49845.....	14
Mainshaft 1st Gear	Loose Needle Bearings.....	QA48181.....	112
Mainshaft 2nd, 3rd & Reverse Gear	Needle Bearing Assembly.....	F94490.....	3
Mainshaft 4th Gear	Needle Bearing Assembly.....	F94488.....	1
4th & 5th Shift Hub Bearing	Needle Thrust Bearing	FA35688	1
4th & 5th Shift Hub Race	Needle Thrust Bearing	□ TR235383.....	1
Reverse Idler	Loose Needle Bearings.....	QA47838.....	52
Countershaft Front/Rear.....	Tapered Roller Bearing (Cone/Cup).....	BR25590/BR25520.....	2
Misc.	Transmission Gasket Set.....	□ GT-390FGH.....	1

■ Use Speedi-Sleeves to repair grooved shafts (Not Included) □ Not Sold Separately ● Not included in kit

TRANSMISSION KIT CONTENTS—Heavy Duty

STK1000

APPLICATIONS: FULLER - RTF906, RTF909A, RTF910, RTF915, RTF9508, RTF9509, RTF9509A, RTF9513, RTOF906, RTOF909A, RTOF910, RTOF913, RTOF915, RTOF9508LL, RTOF9509, RTOF9509A, RTOF9509B, RTOF9513, RTOF958LL, RTOOF9513, RTOO913, RTO909A, RTO910, RTO913, RTO915, RTO9509, RTO9509A, RTO9509B, RTO9513, RTO958LL, RT906, RT909, RT909A, RT910, RT910A, RT913, RT913A, RT915, RT9508, RT9509, RT9509A, RT9509B, RT9513, TO955, TO955AL, TO955ALL, TO955DLL, TO955GL, T955, T955AL, T955ALL, T955DLL, T955GL

APPLICATION	DESCRIPTION	PART NUMBER	QUANTITY
Aux. Output Shaft	Seal	37330	1
	<i>Speedi-Sleeve</i>	■ 99372	
Input Shaft Nut	Clutch Nut	□ CN1	1
Input Shaft Pilot	Bushing	BS59	1
Input Shaft	Ball Bearing	6212-ZNBRJ	1
Aux. Mainshaft	Tapered Roller Bearing Assembly	A3071	1
Aux. Range Shaft Quill Rear	Bushing	□ BS60	1
Aux. Range Shaft Quill Front	Ball Bearing	6204-J	1
Aux. Countershaft Front	Cylindrical Roller Bearing	MR1307-TV*	2
Aux. Countershaft Rear	Max Ball Bearing	310-NRJ	2
Countershaft Front	Cylindrical Roller Bearing	MSN1211REX	2
Countershaft Rear	Cylindrical Roller Bearing	□ MU1308TVWS	2
Aux. Driveshaft	Ball Bearing	6017-NRJ	1
Aux. Drive Gear Brg. Retainer	Seal	14832	1
	<i>Speedi-Sleeve</i>	■ 99149	
Reverse Idler	Needle Bearing Assembly	HJ223020	2
Reverse Idler	Needle Bearing Inner Race	IR1820-OH	2
Misc.	Transmission Gasket Set	□ GT-200N	1
Misc.	O-Ring Set	□ OK-1000V	1
Misc.	Snap Ring Set	□ SR-1000	1

* Models before 1973 use MR5208-TV (Not Included).

STK2043

APPLICATIONS: EATON/FULLER 10/15 SPEED TRANSMISSIONS

APPLICATION	DESCRIPTION	PART NUMBER	QUANTITY
Input Shaft Pilot	Bushing	BS59	1
Input Shaft	Cylindrical Roller Bearing	□ MU1212RUMW3	1
Aux. Mainshaft	Tapered Roller Assembly	□ DTP356	1
Aux. Drive Gear	Ball Bearing	□ DTP6507	1
Aux. Countershaft (Front/Rear)	Tapered Roller Bearing	□ DTP2074	4
Countershaft Rear	Cylindrical Roller Bearing	□ MU1308TVWS	2
Countershaft Front	Cylindrical Bearing	□ BS500192SX	2
Reverse Idler	Needle Bearing	HJ223020	2
Reverse Idler	Needle Bearing	IR1820-OH	2
Misc.	O-Ring Kit	□ K-2054	1
Misc.	Gasket Set	□ K-2061	1
Misc.	Shim Kit	□ K-2805	1
Misc.	Snap Ring Set	□ SR-2043	1
Misc.	Seal & Gasket Set	□ DTK2262	1
Misc.	Spring	□ SG14897	3
Misc.	Insert Valve	□ IV19974	1
Misc.	Snap Ring	□ SR-21320	1
Misc.	Bushing	□ AA1512-12	2

■ Use Speedi-Sleeves to repair grooved shafts (Not Included) □ Not Sold Separately ● Not included in kit

TRANSMISSION KIT CONTENTS—Heavy Duty

STK2924

APPLICATIONS: EATON/FULLER 10 SPEED TRANSMISSIONS

APPLICATION	DESCRIPTION	PART NUMBER	QUANTITY
Input Shaft	Cylindrical Roller Bearing.....	<input type="checkbox"/> MU1212RUMW3	1
Input Shaft Pilot	Bushing.....	BS59.....	1
Aux. Countershaft (Front/Rear)	Tapered Roller Bearing	<input type="checkbox"/> DTP2074	4
Countershaft (Front/Rear)	Cylindrical Roller Bearing.....	<input type="checkbox"/> BS226539V	4
Aux. Mainshaft.....	Tapered Roller Bearing	<input type="checkbox"/> DTP6503	1
Aux. Drive Gear	Ball Bearing.....	<input type="checkbox"/> DTP6507	1
Reverse Idler	Needle Bearing	HJ223020	2
Reverse Idler	Needle Bearing	IR1820-OH.....	2
Misc.	Shim Kit.....	<input type="checkbox"/> K-2805	1
Misc.	Gasket set.....	<input type="checkbox"/> K-2921	1
Misc.	Piston Kit.....	<input type="checkbox"/> K-2923-OE.....	1
Misc.	Seal & Gasket Set.....	<input type="checkbox"/> DTK2918	1
Misc.	Spring.....	<input type="checkbox"/> SG14897	3
Misc.	Snap Ring	<input type="checkbox"/> SR-17399	1
Misc.	Snap Ring	<input type="checkbox"/> 4302082.....	2
Misc.	Snap Ring	<input type="checkbox"/> 4303362.....	2

STK3340

APPLICATIONS: EATON/FULLER 18 SPEED TRANSMISSIONS

APPLICATION	DESCRIPTION	PART NUMBER	QUANTITY
Input Shaft	Ball Bearing.....	6212-ZNBRJ	1
Input Shaft Pilot	Bushing.....	BS59.....	1
Aux. Mainshaft.....	Tapered Roller Bearing	<input type="checkbox"/> DTP6503	1
Aux. Drive Gear	Ball Bearing.....	<input type="checkbox"/> DTP6510	1
Aux. Countershaft (Front/Rear)	Tapered Roller Bearing	<input type="checkbox"/> NP656227.....	4
Aux. Countershaft (Front/Rear)	Tapered Roller Bearing	<input type="checkbox"/> NP896049.....	4
Countershaft Rear	Cylindrical Roller Bearing.....	<input type="checkbox"/> BS500052V	2
Countershaft Front.....	Cylindrical Bearing	<input type="checkbox"/> BS500192SX.....	2
Reverse Idler	Needle Bearing	HJ223020	2
Reverse Idler	Needle Bearing	IR1820-OH.....	2
Splitter Gear	Tapered Roller Bearing	<input type="checkbox"/> DTP0902	1
Misc.	Snap Ring	<input type="checkbox"/> 4302082.....	2
Misc.	Snap Ring	<input type="checkbox"/> 4303424.....	1
Misc.	Shim Kit.....	<input type="checkbox"/> K-2805	1
Misc.	Gasket set.....	<input type="checkbox"/> K-3288	1
Misc.	O-Ring Kit	<input type="checkbox"/> K-3341-OE.....	1
Misc.	Seal & Gasket Set.....	<input type="checkbox"/> DTK2918	1
Misc.	Spring.....	<input type="checkbox"/> SG14897	3
Misc.	Snap Ring Set.....	<input type="checkbox"/> SR-3340	1

Use Speedi-Sleeves to repair grooved shafts (Not Included)
 Not Sold Separately
 Not included in kit

TRANSMISSION KIT CONTENTS—Heavy Duty

STK3343

APPLICATIONS: EATON/FULLER 13 SPEED TRANSMISSIONS

APPLICATION	DESCRIPTION	PART NUMBER	QUANTITY
Input Shaft	Ball Bearing.....	6212-ZNBRJ	1
Input Shaft Pilot	Bushing.....	BS59	1
Aux. Countershaft (Front/Rear)	Tapered Roller Bearing	<input type="checkbox"/> DTP2074	4
Countershaft Rear	Cylindrical Roller Bearing.....	<input type="checkbox"/> BS500052V	2
Countershaft Front.....	Cylindrical Bearing.....	<input type="checkbox"/> BS500192SX.....	2
Aux. Mainshaft.....	Tapered Roller Bearing	<input type="checkbox"/> DTP6503	1
Aux. Drive Gear	Ball Bearing.....	<input type="checkbox"/> DTP6508	1
Reverse Idler	Needle Bearing	HJ223020	2
Reverse Idler	Needle Bearing	IR1820-OH.....	2
Misc.	Snap Ring	<input type="checkbox"/> 4302082.....	2
Misc.	Shim Kit.....	<input type="checkbox"/> K-2805.....	1
Misc.	Gasket Set	<input type="checkbox"/> K-3288	1
Misc.	O-Ring Kit	<input type="checkbox"/> K-3341-OE.....	1
Misc.	Seal & Gasket Set.....	<input type="checkbox"/> DTK2918	1
Misc.	Spring.....	<input type="checkbox"/> SG14897	3
Misc.	Snap Ring Set.....	<input type="checkbox"/> SR-3340	1

Use Speedi-Sleeves to repair grooved shafts (Not Included)
 Not Sold Separately
 ● Not included in kit

Differential and Transmission kit interchange

<u>Mfr./</u> <u>Mfr. no.</u>	<u>SKF</u> <u>kit no.</u>	<u>Mfr./</u> <u>Mfr. no.</u>	<u>SKF</u> <u>kit no.</u>	<u>Mfr./</u> <u>Mfr. no.</u>	<u>SKF</u> <u>kit no.</u>
Arvin Meritor		Dana/Eaton		DT Components—(cont.)	
1902	SDK187-R	99041	SDK1-A	DRK201F	SDK201-F
1904	SDK11-R	99044	SDK64-FD	DRK201FA	SDK201-FA
1912	SDK194-F	99048	SDK24	DRK201R	SDK201-R
1913	SDK900-F	99050	SDK23-D	DRK202	SDK202
1914	SDK900-F	99051	SDK1	DRK203F	SDK203-F
1916	SDK9-RC	99052	SDK72	DRK205	SDK205
1921	SDK172-FA	99053	SDK72-A	DRK206	SDK206
1922	SDK172-R	99054	SDK64-FE	DRK207	SDK207
1923	SDK172-FB	99096	SDK18-E	DRK208	SDK208
1923A	SDK172-FB	401K5100-X	SDK223-F	DRK210	SDK210
1924	SDK50	401K5101-X	SDK223-R	DRK211F	SDK211-F
1934	SDK50	472K5101	SDK192-RB	DRK214	SDK214
1976	SDK194-RA	472K5113	SDK200-FA	DRK216	SDK216
1995	SDK194-F	474K5101	SDK201-R	DRK217F	SDK217-F
2100	SDK194-RA	474K5102	SDK201-FA	DRK217R	SDK217-R
2103	SDK203-F	103512	SDK219-R	DRK218	SDK218
2104	SDK203-F	114394	SDK196	DRK219R	SDK219-R
2105	SDK203-F	115125	SDK207	DRK221	SDK221
4000	SDK900-F	118118	SDK210	DRK222F	SDK222-F
4005	SDK9-RC	118122	SDK208	DRK222R	SDK222-R
4015	SDK900-F	119797	SDK402	DRK223F	SDK223-F
4035	SDK194-F	211222	SDK222-F	DRK223R	SDK223-R
4045	SDK194-RA	211223	SDK222-R	DRK23D	SDK23-D
4050	SDK194-RA	216234	SDK404-F	DRK24	SDK24
4055	SDK194-F	216248	SDK404-R	DRK300	SDK300
4065	SDK194-RB	MJAKA101-X	SDK214	DRK301	SDK301
4075	SDK172-R	DT Components		DRK302	SDK302
4080	SDK172-FB	DRK1	SDK1	DRK303	SDK303
4085	SDK172-F	DRK11R	SDK11-R	DRK303MK	SDK303-MK
4090	SDK172-F	DRK170	SDK170	DRK303B	SDK303-B
4095	SDK172-FB	DRK172F	SDK172-F	DRK303BMK	SDK303-BMK
4105	SDK172-R	DRK172FA	SDK172-FA	DRK304	SDK304
4110	SDK50	DRK172FB	SDK172-FB	DRK304MK	SDK304-MK
4120	SDK203-F	DRK172R	SDK172-R	DRK304A	SDK304-A
4140	SDK203-F	DRK187R	SDK187-R	DRK304AMK	SDK304-AMK
4150	SDK50	DRK18E	SDK18-E	DRK307	SDK307
4170	SDK11-R	DRK1910	SDK1910	DRK307MK	SDK307-MK
4185	SDK11-R	DRK192FA	SDK192-FA	DRK307A	SDK307-A
4210	SDK187-R	DRK192FB	SDK192-FB	DRK307AMK	SDK307-AMK
4390	SDK4390	DRK192RB	SDK192-RB	DRK310	SDK310
4395	SDK4395	DRK194F	SDK194-F	DRK310MK	SDK310-MK
4396	SDK4396	DRK194RA	SDK194-RA	DRK311	SDK311
4400	SDK217-R	DRK194RB	SDK194-RB	DRK311MK	SDK311-MK
4405	SDK4405	DRK196	SDK196	DRK311D	SDK311-D
4406	SDK4406	DRK1A	SDK1-A	DRK311DMK	SDK311-DMK
4422	SDK4422	DRK200F	SDK200-F	DRK311E	SDK311-E
4423	SDK4423	DRK200FA	SDK200-FA	DRK311EMK	SDK311-EMK
4426	SDK4426			DRK311G	SDK311-G
4428	SDK4428			DRK311GMK	SDK311-GMK
				DRK311J	SDK311-J

Differential and Transmission kit interchange

Mfr./ Mfr. no.	SKF kit no.
DT Components—(cont.)	
DRK312.....	SDK312
DRK312MK.....	SDK312-MK
DRK313.....	SDK313
DRK313MK.....	SDK313-MK
DRK314.....	SDK314
DRK314MK.....	SDK314-MK
DRK315.....	SDK315
DRK315MK.....	SDK315-MK
DRK316A.....	SDK316-A
DRK316AMK.....	SDK316-AMK
DRK316B.....	SDK316-B
DRK316BMK.....	SDK316-BMK
DRK317.....	SDK317
DRK317MK.....	SDK317-MK
DRK317A.....	SDK317-A
DRK317AMK.....	SDK317-AMK
DRK320.....	SDK320
DRK320MK.....	SDK320-MK
DRK320A.....	SDK320-A
DRK320AMK.....	SDK320-AMK
DRK320C.....	SDK320-C
DRK320CMK.....	SDK320-CMK
DRK320D.....	SDK320-D
DRK320DMK.....	SDK320-DMK
DRK321.....	SDK321
DRK321MK.....	SDK321-MK
DRK321A.....	SDK321-A
DRK321AMK.....	SDK321-AMK
DRK321C.....	SDK321-C
DRK321CMK.....	SDK321-CMK
DRK321J.....	SDK321-J
DRK321JMK.....	SDK321-JMK
DRK321Q.....	SDK321-Q
DRK321QMK.....	SDK321-QMK
DRK322.....	SDK322
DRK322MK.....	SDK322-MK
DRK323.....	SDK323
DRK323MK.....	SDK323-MK
DRK324.....	SDK324
DRK324MK.....	SDK324-MK
DRK324A.....	SDK324-A
DRK324B.....	SDK324-B
DRK324BMK.....	SDK324-BMK
DRK325.....	SDK325
DRK325MK.....	SDK325-MK
DRK325A.....	SDK325-A
DRK325AMK.....	SDK325-AMK
DRK325B.....	SDK325-B
DRK325BMK.....	SDK325-BMK
DRK327.....	SDK327

Mfr./ Mfr. no.	SKF kit no.
DT Components—(cont.)	
DRK327MK.....	SDK327-MK
DRK331.....	SDK331
DRK331A.....	SDK331-A
DRK331AMK.....	SDK331-AMK
DRK332.....	SDK332
DRK332A.....	SDK332-A
DRK332HD.....	SDK332-HD
DRK333.....	SDK333
DRK334.....	SDK334
DRK334MK.....	SDK334-MK
DRK334TJ.....	SDK334-TJ
DRK334TJMK.....	SDK334-TJMK
DRK335.....	SDK335
DRK335MK.....	SDK335-MK
DRK335C.....	SDK335-C
DRK335CMK.....	SDK335-CMK
DRK336.....	SDK336
DRK337.....	SDK337
DRK337MK.....	SDK337-MK
DRK339.....	SDK339
DRK339A.....	SDK339-A
DRK339AMK.....	SDK339-AMK
DRK339B.....	SDK339-B
DRK339BMK.....	SDK339-BMK
DRK402.....	SDK402
DRK404F.....	SDK404-F
DRK404R.....	SDK404-R
DRK4360.....	SDK4360
DRK4390.....	SDK4390
DRK4395.....	SDK4395
DRK4396.....	SDK4396
DRK4405.....	SDK4405
DRK4406.....	SDK4406
DRK4422.....	SDK4422
DRK4423.....	SDK4423
DRK4426.....	SDK4426
DRK4428.....	SDK4428
DRK50.....	SDK50
DRK64FD.....	SDK64-FD
DRK64FE.....	SDK64-FE
DRK72.....	SDK72
DRK72A.....	SDK72-A
DRK900F.....	SDK900-F
DRK900FA.....	SDK900-FA
DRK9RB.....	SDK9-RB
DRK9RC.....	SDK9-RC
TCRK1345.....	STCK1345
TCRK1354.....	STCK1354
TCRK1356.....	STCK1356

Mfr./ Mfr. no.	SKF kit no.
DT Components—(cont.)	
TCRK205D.....	STCK205-D
TCRK205F.....	STCK205-F
TCRK205FA.....	STCK205-FA
TCRK205G.....	STCK205-G
TCRK205GDM4.....	STCK205-GDM4
TCRK207.....	STCK207
TCRK208.....	STCK208
TCRK226.....	STCK226
TCRK231.....	STCK231
TCRK231BB.....	STCK231-BB
TCRK231CC.....	STCK231-CC
TCRK231DD.....	STCK231-DD
TCRK231EE.....	STCK231-EE
TCRK231FF.....	STCK231-FF
TCRK241.....	STCK241
TCRK241BB.....	STCK241-BB
TCRK241CC.....	STCK241-CC
TCRK241DD.....	STCK241-DD
TCRK241EE.....	STCK241-EE
TCRK241FF.....	STCK241-FF
TCRK242.....	STCK242
TCRK242AA.....	STCK242-AA
TCRK242BB.....	STCK242-BB
TCRK242CC.....	STCK242-CC
TCRK242DD.....	STCK242-DD
TCRK242EE.....	STCK242-EE
TCRK246.....	STCK246
TCRK247.....	STCK247
TCRK261.....	STCK261
TCRK261AA.....	STCK261-AA
TCRK261BB.....	STCK261-BB
TCRK271.....	STCK271
TCRK271AA.....	STCK271-AA
TCRK300.....	STCK300
TCRK4405.....	STCK4405
TCRK4405AA.....	STCK4405-AA
TCRK4406.....	STCK4406
TCRK4407.....	STCK4407
TCRK4470.....	STCK4470
TRK1000.....	STK1000
TRK127.....	STK127
TRK127G.....	STK127-G
TRK145A.....	STK145-A
TRK146.....	STK146
TRK147.....	STK147
TRK148.....	STK148
TRK149.....	STK149
TRK152.....	STK152
TRK155.....	STK155
TRK156.....	STK156

Differential and Transmission kit interchange

Mfr./ Mfr. no.	SKF kit no.	Mfr./ Mfr. no.	SKF kit no.	Mfr./ Mfr. no.	SKF kit no.
DT Components—(cont.)		Eaton/Fuller		Federal Mogul—(cont.)	
TRK157	STK157	K2043	STK2043	RA-303	SDK303
TRK158	STK158	K2924	STK2924	RA-303-MK	SDK303-MK
TRK159	STK159	K3340	STK3340	RA-303-A	SDK303-B
TRK159A	STK159-A	K3343	STK3343	RA-304	SDK304
TRK167	STK167			RA-304-MK	SDK304-MK
		Federal Mogul			
TRK180	STK180	RA-1	SDK1	RA-304-A	SDK304-A
TRK183	STK183	RA-1-A	SDK1-A	RA-310	SDK310
TRK187	STK187	RA-11-R	SDK11-R	RA-311	SDK311
TRK190	STK190	RA-170	SDK170	RA-311-MK	SDK311-MK
TRK192	STK192	RA-172-FA	SDK172-FA	RA-311-J	SDK311-J
TRK202	STK202	RA-172-FB	SDK172-FB	RA-312	SDK312
TRK203	STK203	RA-172-R	SDK172-R	RA-313	SDK313
TRK2043	STK2043	RA-18-E	SDK18-E	RA-314	SDK314
TRK205	STK205	RA-1910	SDK1910	RA-314-MK	SDK314-MK
TRK206	STK206	RA-192-FB	SDK192-FB	RA-315	SDK315
TRK207	STK207	RA-192-RB	SDK192-RB	RA-320	SDK320
TRK208	STK208	RA-194-F	SDK194-F	RA-320-MK	SDK320-MK
TRK208D	STK208-D	RA-194-RA	SDK194-RA	RA-320-A	SDK320-A
TRK210	STK210	RA-194-RB	SDK194-RB	RA-320-B	SDK320-C
TRK213	STK213	RA-196	SDK196	RA-321	SDK321
TRK235B	STK235-B	RA-200-F	SDK200-F	RA-321-MK	SDK321-MK
TRK247	STK247	RA-200-FA	SDK200-FA	RA-321-A	SDK321-A
TRK248	STK248	RA-201-F	SDK201-F	RA-321-C	SDK321-C
TRK27	STK27	RA-201-FA	SDK201-FA	RA-322	SDK322
TRK28	STK28	RA-201-R	SDK201-R	RA-322MK	SDK322-MK
TRK29	STK29	RA-202	SDK202	RA-323	SDK323
TRK2924	STK2924	RA-203-F	SDK203-F	RA-324	SDK324
TRK29B	STK29-B	RA-205	SDK205	RA-324MK	SDK324-MK
TRK3	STK3	RA-206	SDK206	RA-324-A	SDK324-A
TRK300ZF	STK300-ZF	RA-207	SDK207	RA-324-B	SDK324-B
TRK3340	STK3340	RA-208	SDK208	RA-325	SDK325
TRK3343	STK3343	RA-210	SDK210	RA-325MK	SDK325-MK
TRK390F	STK390-F	RA-211-F	SDK211-F	RA-325-A	SDK325-A
TRK390G	STK390-G	RA-214	SDK214	RA-325-AMK	SDK325-AMK
TRK390H	STK390-H	RA-216	SDK216	RA-325-B	SDK325-B
TRK395F	STK395-F	RA-217-F	SDK217-F	RA-331	SDK331
TRK395G	STK395-G	RA-217-R	SDK217-R	RA-332	SDK332
TRK395H	STK395-H	RA-218	SDK218	RA-332-HD	SDK332-HD
TRK4500D	STK4500-D	RA-219-R	SDK219-R	RA-333	SDK333
TRK4500GM	STK4500-GM	RA-221	SDK221	RA-334	SDK334
TRK50	STK50	RA-222-F	SDK222-F	RA-334-TJ	SDK334-TJ
TRK58	STK58	RA-222-R	SDK222-R	RA-335	SDK335
TRK70	STK70	RA-223-F	SDK223-F	RA-336	SDK336
TRK73	STK73	RA-223-R	SDK223-R	RA-337	SDK337
TRK82	STK82	RA-23-D	SDK23-D	RA-339	SDK339
TRK82F	STK82-F	RA-24	SDK24	RA-339-A	SDK339-A
TRK86	STK86	RA-28	SDK339-B	RA-402	SDK402
TRKS6650ZF	STKS6-650ZF	RA-300	SDK300	RA-404-F	SDK404-F
		RA-301	SDK301	RA-404-R	SDK404-R
		RA-302	SDK302	RA-4360	SDK4360

Differential and Transmission kit interchange

Mfr./ Mfr. no.	SKF kit no.	Mfr./ Mfr. no.	SKF kit no.	Mfr./ Mfr. no.	SKF kit no.
Federal Mogul—(cont.)		Federal Mogul—(cont.)		GMC	
RA-4390	SDK4390	T-230-A	STCK231-CC	15510168	SDK72-A
RA-4395	SDK4395	T-230-B	STCK231-EE	2045926	SDK1
RA-4396	SDK4396	T-240	STCK241	2045946	SDK72-A
RA-4405	SDK4405	T-240-A	STCK241-BB	2049630	SDK23-D
RA-4406	SDK4406	T-240-B	STCK241-BB	2049632	SDK1-A
RA-4422	SDK4422	T-240-C	STCK242-AA	2049782	SDK64-FD
RA-4423	SDK4423	T-27	STK27	2049784	SDK18-E
RA-4426	SDK4426	T-28	STK28	2052038	SDK64-FE
RA-4428	SDK4428	T-29	STK29	2097142	SDK24
RA-50	SDK50	T-29-B	STK29-B	8873475	SDK170
RA-64-FD	SDK64-FD	T-3	STK3	IHC/Navistar	
RA-64-FE	SDK64-FE	T-3340	STK3340	1551527C91	SDK1-A
RA-72-A	SDK72-A	T-340	STCK1345	1651526C91	SDK24
RA-9-RB	SDK9-RB	T-370	STCK1356	1651527C91	SDK1
RA-9-RC	SDK9-RC	T-390-F	STK390-F	1651529C91	SDK72
RA-900-F	SDK900-F	T-390-G	STK390-G	1651530C91	SDK23-D
RA-900-FA	SDK900-FA	T-390-H	STK390-H	1651531C91	SDK64-FD
T-1000	STK1000	T-395-F	STK395-F	1651532C91	SDK1-A
T-127	STK127	T-395-G	STK395-G	1651533C91	SDK64-FE
T-127-G	STK127-G	T-395-H	STK395-H	1681149C91	SDK172-F
T-145-A	STK145-A	T-470	STCK4470	282044C94	SDK72
T-146	STK146	T-58	STK58	360570C93	SDK24
T-147	STK147	T-70	STK70	369244C93	SDK1-A
T-148	STK148	T-73	STK73	420030C93	SDK23-D
T-149	STK149	T-82	STK82	435200C91	SDK194-F
T-152	STK152	T-82-F	STK82-F	441452C93	SDK1
T-155	STK155	T-86	STK86	441454C93	SDK9-RC
T-156	STK156	Freightliner		441455C93	SDK900-FA
T-157-A	STK157	BRK100311	SDK900-FA	450080C92	SDK900-FA
T-158	STK158	BRK100311	SDK900-FA	450085C92	SDK192-RB
T-159	STK159	BRK1003111	SDK900-F	450085C93	SDK192-RB
T-159-A	STK159-A	BRK10035	SDK900-FA	450087C92	SDK172-R
T-167	STK167	BRK100351	SDK900-F	450087C93	SDK172-R
T-180	STK180	BRK10043	SDK9-RC	450089C91	SDK192-FA
T-183	STK183	BRK10131	SDK64-FD	450089C93	SDK192-FA
T-187	STK187	BRK1014	SDK1-A	452602C93	SDK194-F
T-190	STK190	BRK10151	SDK64-FE	483246C91	SDK187-R
T-192	STK192	BRK1017	SDK50	483250C91	SDK72-A
T-197	STCK207	BRK10561	SDK172-FA	499685C91	SDK900-F
T-202	STK202	BRK10562	SDK172-FB	499685C92	SDK200-F
T-203	STK203	BRK10563	SDK172-FB	499686C91	SDK192-RB
T-2043	STK2043	BRK1057	SDK172-R	499686C92	SDK192-RB
T-205	STK205	BRK1082	SDK194-F	499687C92	SDK201-F
T-206	STK206	BRK10821	SDK194-F	499688C92	SDK201-R
T-207	STK207	BRK10841	SDK194-RA	504266C92	SDK202
T-208	STK208	BRK10861	SDK196	574273C92	SDK18-E
T-208-D	STK208-D	BRK1089	SDK1		
T-210	STK210	BRK1090	SDK23-D		
T-213	STK213	BRK8160	SDK194-RB		
T-230	STCK231				

Differential and Transmission kit interchange

<u>Mfr./</u> <u>Mfr. no.</u>	<u>SKF</u> <u>kit no.</u>	<u>Mfr./</u> <u>Mfr. no.</u>	<u>SKF</u> <u>kit no.</u>	<u>Mfr./</u> <u>Mfr. no.</u>	<u>SKF</u> <u>kit no.</u>
<u>IHC/Navistar—(cont.)</u>		<u>Rockwell/Meritor</u>		<u>Spicer/TTC</u>	
574274C92	SDK64-FD	KIT1912	SDK194-F	313432-10X	STK180
574275C92	SDK64-FE	KIT2119	SDK194-RA	313432-11X	STK210
574276C92	SDK172-FB	KIT4005	SDK9-RC	313432-1X	STK192
581954C92	SDK203-F	KIT4010	SDK9-RB	313432-21X	STK73
583428C92	SDK194-RA	KIT4015	SDK900-F	313432-23X	STK155
<u>Mack</u>		KIT4035	SDK194-F	313432-25X	STK147
205SP71	SDK205	KIT4045	SDK194-RA	313432-31X	STK180
205SP72	SDK206	KIT4050	SDK194-RA		
205SP73	SDK206	KIT4055	SDK194-F		
205SP71A	SDK205	KIT4060	SDK194-RB		
205SP72A	SDK206			<u>White</u>	
205SP73A	SDK206	KIT4065	SDK194-RB	330905344	SDK900-F
208SH71	STK187	KIT4075	SDK172-R	700352	SDK1
208SH75	STK187	KIT4080	SDK172-FB	700358B	SDK9-RC
208SH84	STK187	KIT4085	SDK172-F	700360	SDK11-R
208SH87	STK213	KIT4110	SDK50	7074176	SDK50
208SH104	STK213	KIT4120	SDK203-F	7074180	SDK172-F
208SH106	STK187	KIT4185	SDK11-R	7074181	SDK172-R
		KIT4195	SDK11-R	7074183	SDK187-R
		KIT4210	SDK187-R	7076067	SDK172-FA
		KIT4265	SDK1910	943025233	SDK9-RC
<u>PAI</u>					
BBK7121	SDK206	KIT4340	SDK218		
BBK7125	SDK206	KIT4360	SDK4360		
BBK7141	SDK205	KIT4365	SDK216		
GBK6561	STK187	KIT4390	SDK4390		
GBK6562	STK213	KIT4395	SDK4395		
<u>Paccar</u>					
4BKT042	SDK64-FE	KIT4396	SDK4396		
4BKT043	SDK1	KIT4400	SDK217-R		
4BKT044	SDK50	KIT4405	SDK4405		
4BKT045	SDK172-FA	KIT4406	SDK4406		
4BKT046	SDK172-R	KIT4422	SDK4422		
4BKT050	SDK64-FD	KIT4423	SDK4423		
4BKT052	SDK1-A	KIT4426	SDK4426		
4BKT054	SDK900-F	KIT4428	SDK4428		
4BKT055	SDK9-RC				
4BKT056	SDK900-F				
4BKT058	SDK172-FA				
4BKT059	SDK11-R				
4BKT064	SDK194-F				
4BKT067	SDK900-F				
4BKT085	SDK72-A				
4BKT100	SDK172-FA				
4BKT104	SDK172-FB				

Drive shaft support bearings

Rugged SKF drive shaft support bearings are built to meet or exceed OE specifications. They are also built on the years of experience that SKF has earned designing and supplying bearings to the world's largest OE manufacturers.

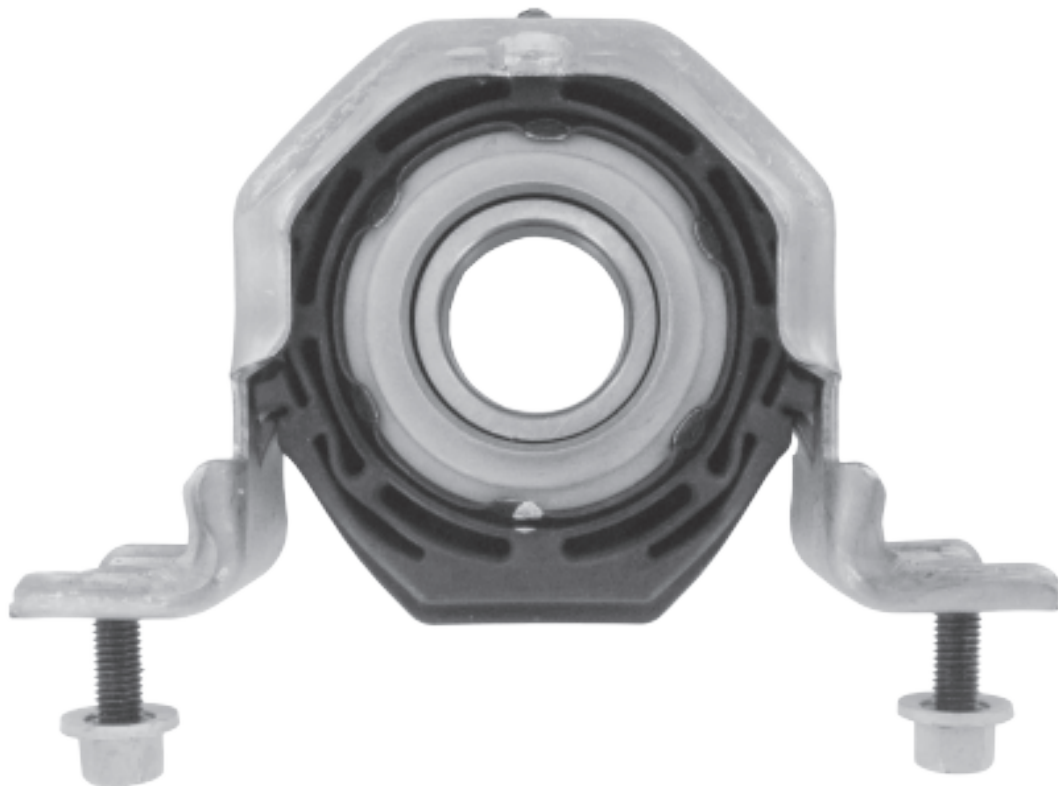
Engineered and manufactured to specific application requirements that deliver precise drive shaft alignment and support.

Drive shaft support bearings are pre-lubricated and sealed with metal reinforced seals to prevent contamination.











Rubber support cushions are manufactured from durable rubber compounds that provide maximum support while isolating the driveline shaft from damaging vibration.

Drive shaft support frames are constructed from high quality steel or aluminum that provides additional strength and long life in harsh environments.











Featuring over 90 SKU's, SKF drive shaft support bearings offer broad coverage for most popular passenger cars and trucks. For many applications, brackets and slingers are included where necessary.













Drive shaft support bearings—Buyer's guide

SKF part no.	Image	Application
HB20		1981-1987 Isuzu Light-duty trks.
HB21		1981-1982 Chevrolet/GMC Compact trks., vans & SUVs
HB106-FF		1986-1989 Ford Compact trks., vans & SUVs
HB108		Various HD trks.; Various Drive Lines
HB206-FF		1958-1964 Chevrolet RWD full-size cars; 1971-1972 Chevrolet/GMC 1 ton trks.; 1973-1998 3/4 ton trks.; 1964-1972 3/4 ton trks.; 1973-1996 1/2 ton trks.; 1964-1972 1/2 ton trks.; 2005-2006 Ford 3/4 ton trks.; 1990-1997 Ford Compact trks., vans & SUVs; 1966-1968 IHC Light trks.; 1994-1997 Mazda trks.
HB209-KF		1990-1997 Ford Compact trks., vans & SUVs; 1994-1997 Mazda trks.
HB1280-10		1974-1978 Nissan trks.
HB1280-20		1980-1986 Nissan trks.
HB1280-30		1990-1997 Infiniti RWD passenger cars; 1986-1988 Nissan FWD passenger cars; 1985-1994 RWD passenger cars; 1986-1989 trks.
HB1280-40		1986-1994 Nissan trks.











Drive shaft support bearings—Buyer's guide

SKF part no.	Image	Application
HB1280-50		1974-1978 Nissan trks.
HB1280-60		1988-1995 Isuzu Trooper II, pickup 4WD
HB1280-70		1988-1995 Isuzu pickup 2WD
HB1350-10		1968-1977 Toyota trks. & SUVs
HB1380-10		1978-1983 Toyota trks. & SUVs
HB1380-20		1984-1985 Toyota trks. & SUVs
HB1380-30		1984-1988 Toyota trks. & SUVs
HB1380-40		1989-1995 Toyota trks. & SUVs
HB1380-50		1993-1998 Toyota trks. & SUVs
HB1380-60		1989-1995 trks. & SUVs











Drive shaft support bearings—Buyer's guide

SKF part no.	Image	Application
HB1380-70		1993-1998 Toyota trks. & SUVs
HB1380-80		1980-1984 Toyota RWD passenger cars
HB1400-10		1987-1989 Dodge FWD Colt
HB1420-10		1980-1991 trks.
HB1500-40		1980-1983 Toyota RWD passenger cars
HB1500-60		1985-1988 Toyota RWD passenger cars
HB1550-10		1994-1997 Honda trks.; 1994-1997 Isuzu Light-duty trks.
HB1590-10		1994-1997 Honda trks.
HB1600-10		1996-2000 Toyota CUVs
HB1650-10		1994-2002 Dodge 1 ton trks.; 1998-2002 3/4 ton trks.; 1994-1997 3/4 ton trks.











Drive shaft support bearings—Buyer's guide

SKF part no.	Image	Application
HB1680-10		1985-1988 Dodge Compact pickups; 1983-1988 Light-duty trks.; 1979-1982 Arrow pickup
HB1680-20		1987-1989 Dodge Compact pickups
HB1700-10		1993-1998 BMW Passenger cars
HB1710-10		1992-1998 Lexus RWD passenger cars
HB1720-10		1992-1999 Lexus RWD passenger cars
HB1750-10		1980-1981 Nissan RWD passenger cars
HB1820-10		2001-2004 Lexus CUVs; 2001-2004 Toyota CUVs
HB1850-10		2003-2004 Toyota Minivans
HB2020-10		2005-2006 Toyota trks. & SUVs
HB2380-20		1982-1985 Toyota RWD passenger cars











Drive shaft support bearings—Buyer's guide

SKF part no.	Image	Application
HB2380-40		1995-2004 Toyota trks. & SUVs
HB2390-10		1986 Chevrolet/GMC Medium-duty trks.
HB2390-30		1984-1987 Isuzu Medium-duty trks.
HB2780-10		1985-1988 BMW Passenger cars; 1969-1984 Passenger cars
HB2780-20		1985-1988 BMW Passenger cars
HB2780-60		1996-1999 BMW Passenger cars
HB2780-80		1995-2000 BMW Passenger cars
HB2790-10		1995-2000 BMW Passenger cars
HB88107-A		1963-1977 Checker Passenger cars; 1997-2000 Chevrolet/GMC 1 ton trks.; 1979-1996 1 ton trks.; 1947-1978 1 ton trks.; 1979-1998 3/4 ton trks.; 1946-1978 3/4 ton trks.; 1985-1998 1/2 ton trks.; 1955-1984 1/2 ton trks.; 1964-1990 Full-size vans; 1955-1987 Medium-duty trks.; 1980-1999 Ford 1 1/2 Ton+ trks.; 1973-1977 1 1/2 Ton+ trks.; 2000-2002 1 ton trks.; 1955-1997 1 ton trks.; 1999-2001 3/4 ton trks.; 1997 3/4 ton trks.; 1955-1995 3/4 ton trks.; 1955-1996 1/2 ton trks.; 1980-1996 Full-size vans; 1969-1979 IHC Light trks.; 1956-1965 Light trks.; 1996-1999 Oldsmobile Bravada; 1991-1994 Bravada
HB88107-B		1956-1981 Dodge 1 1/2+ ton trks.; 1994-1999 1 ton trks.; 1956-1989 1 ton trks.; 1994-1997 3/4 ton trks.; 1959-1989 3/4 ton trks.; 1959-1999 1/2 ton trks.; 1964-1981 Full-size vans; 2000-2002 Ford 1 ton trks.; 1999-2001 3/4 ton trks.











Drive shaft support bearings—Buyer's guide

SKF part no.	Image	Application
HB88107-D		1985-1990 Chevrolet/GMC 1 ton trks.
HB88107-E		1982-1994 Chevrolet/GMC Compact trks., vans & SUVs
HB88505		2001-2006 Chevrolet/GMC 1 ton trks.; 1999-2010 3/4 ton trks.; 1999-2010 1/2 ton trks.; 1997-2004 Full-size vans
HB88506		2003-2004 Dodge 1/2 ton trks.
HB88508		1979-1980 Chevrolet/GMC Medium-duty trks.; 1947-1987 Medium-duty trks.; 1990-1999 Ford 1 1/2 Ton+ trks.; 1979 1 1/2 Ton+ trks.; 1973-1974 1 1/2 Ton+ trks.
HB88508-A		1950-1987 Chevrolet/GMC Medium-duty trks.; 1973-1996 1 ton trks.; 1992-1998 1/2 ton trks.; 1992-1996 Full-size vans; 2001-2010 Ford 1 1/2 Ton+ trks.; 1994-1999 1 1/2 Ton+ trks.; 1990-1993 1 1/2 Ton+ trks.; 1983 1 1/2 Ton+ trks.; 1974-1977 1 1/2 Ton+ trks.; 1984-2007 1 ton trks.; 1999-2006 3/4 ton trks.; 1990-1997 3/4 ton trks.; 1984-1985 3/4 ton trks.; 2005-2010 Full-size vans; 2000 Full-size vans; 1996-1998 Full-size vans; 1975-1976 Full-size vans
HB88508-AA		1997-2002 Chevrolet/GMC 1 ton trks.; 1991-1996 Medium-duty trks.
HB88508-AB		1997-2002 Chevrolet/GMC 1 ton trks.; 1988-1991 1 ton trks.; 1988-1991 3/4 ton trks.; 1988-1994 Medium-duty trks.; 1989-1993 Dodge 1/2 ton trks.
HB88508-B		1979-1990 Chevrolet/GMC Medium-duty trks.
HB88508-C		Various HD trks.; Various Drive Lines











Drive shaft support bearings—Buyer's guide

SKF part no.	Image	Application
HB88508-D		Various HD trks.; Various Drive Lines
HB88508-E		Various HD trks.; Various Drive Lines
HB88508-F		2000-2002 Ford 1 ton trks.; 1999-2004 3/4 ton trks.
HB88508-G		1999-2000 Ford 1 1/2 Ton+ trks.; 2000-2002 1 ton trks.; 1999-2001 3/4 ton trks.; 1997-2004 Full-size vans
HB88509		1979-1980 Chevrolet/GMC Medium-duty trks.; 1950-1987 Medium-duty trks.; 1983 Ford 1 1/2 Ton+ trks.; 1955-1973 1 ton trks.
HB88509-A		1980-2000 Ford 1 1/2 Ton+ trks.
HB88509-B		Various HD trks.; Various Drive Lines
HB88509-C		1991-1994 Chevrolet/GMC Medium-duty trks.
HB88510		1979-1980 Chevrolet/GMC Medium-duty trks.; 1990-2000 Ford 1 1/2 Ton+ trks.
HB88510-S		Various HD trks.; Various Drive Lines







Drive shaft support bearings—Buyer's guide

SKF part no.	Image	Application
HB88512-A		1988-1994 Chevrolet/GMC Medium-duty trks.; 1990-2000 Ford 1 1/2 Ton+ trks.
HB88512-AS		Various HD trks.; Various Drive Lines
HB88513		1990-1999 Ford 1 1/2 Ton+ trks.
HB88514		1996-2001 Ford 1/2 ton trks.
HB88515		1999-2010 Chevrolet/GMC 3/4 ton trks.; 1999-2010 1/2 ton trks.; 1999 Ford 3/4 ton trks.; 1997-2001 1/2 ton trks.
HB88517		2000-2006 Lincoln LS
HB88518		2004-2005 Ford 1 1/2 Ton+ trks.; 2004-2005 1 ton trks.; 2007-2010 3/4 ton trks.; 2004-2005 3/4 ton trks.
HB88520		2001-2002 Chevrolet/GMC 1 ton trks.; 1992-1996 1 ton trks.; 1987-1990 1 ton trks.; 1992-1995 3/4 ton trks.; 1987-1990 3/4 ton trks.; 1987-1995 1/2 ton trks.; 1991-1994 Compact trks., vans & SUVs; 1985-1990 Full-size vans
HB88523		2007-2010 Ford F Series over GVW 8500
HB88525		2008-2011 Ford 1 ton trks.; 2007-2011 3/4 ton trks.;

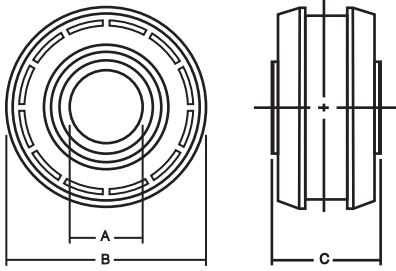
Drive shaft support bearings—Buyer's guide

SKF part no.	Image	Application
HB88526		2007-2010 Ford F Series over GVW 8500
HB88527		2007-2010 Ford 3/4 ton trks.
HB88528		2007-2010 Ford F350 Series 156, 158 Whl Base
HB88529		2008-2011 Ford 1 ton trks.; 2011 3/4 ton trks.; 1995-2003 Compact trks., vans & SUVs
HB88530		1995-2003 Chevrolet/GMC Compact trks., vans & SUVs; 2003-2005 Dodge 1 ton trks.; 2003-2005 3/4 ton trks.; 1994-2010 1/2 ton trks.
HB88532		2001-2002 Chevrolet/GMC 1 ton trks.; 1992-1996 1 ton trks.; 1987-1990 1 ton trks.; 1999-2010 3/4 ton trks.; 1992-1995 3/4 ton trks.; 1987-1990 3/4 ton trks.; 1999-2010 1/2 ton trks.; 1987-1995 1/2 ton trks.; 1991-1994 Compact trks., vans & SUVs; 1985-1990 Full-size vans
HB88536		2003-2005 Dodge 1 ton trks.; 2003-2005 3/4 ton trks.
HB88540		2007-2009 Chevrolet/GMC 1 ton trks.; 1999-2010 3/4 ton trks.; 1999-2010 1/2 ton trks.
HB88547		2006-2010 Dodge 1 ton trks.; 2006-2010 3/4 ton trks.
HB88549		2011 Ford 1 ton trks.; 2011 3/4 ton trks.

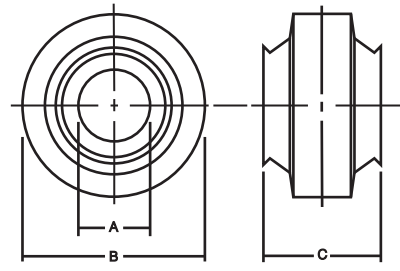
Drive shaft support bearings—Buyer's guide

SKF part no.	Image	Application
HB88550		2008 Ford 1 ton trks.; 2007-2011 3/4 ton trks.
HB88551		2008-2011 Ford 1 ton trks.; 2011 3/4 ton trks.
HB88552		2008-2010 Ford 1 ton trks.; 2007-2010 3/4 ton trks.
HB88553		2011 Ford 1 ton trks.; 2011 3/4 ton trks.
HB88555		2002-2007 Saturn CUVs
HB88555-UJ		2002-2007 Saturn CUVs
Non serviceable drive shafts	N/A	2002-2011 Ford F150 Series w/147" wheel base or longer that have non-serviceable drive shafts—cutting and welding is required.

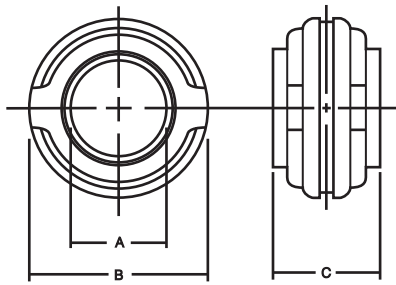
Drive shaft support bearings—Types



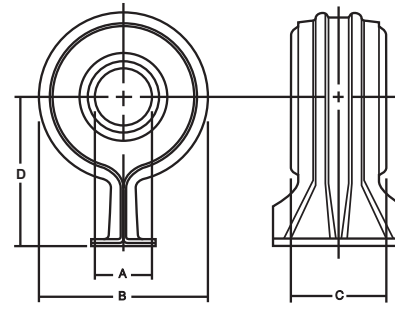
Type 1



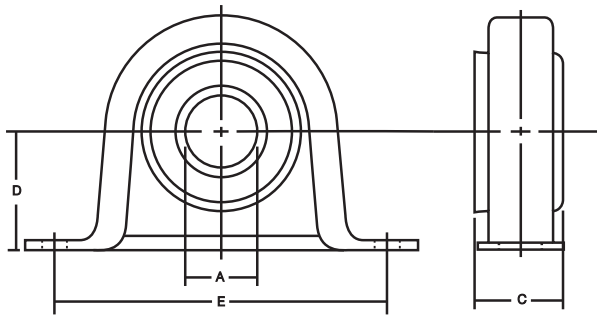
Type 2



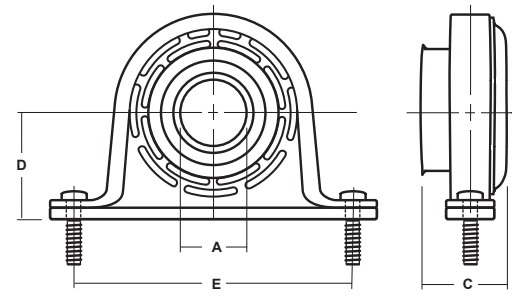
Type 3



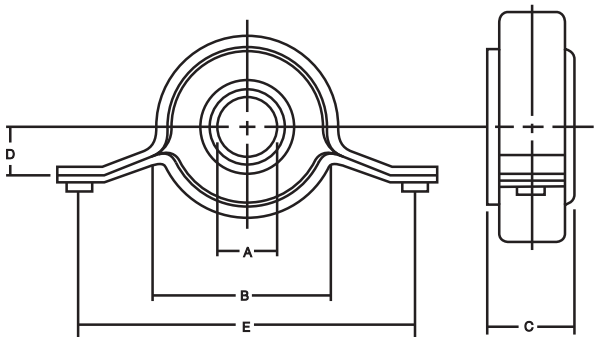
Type 4



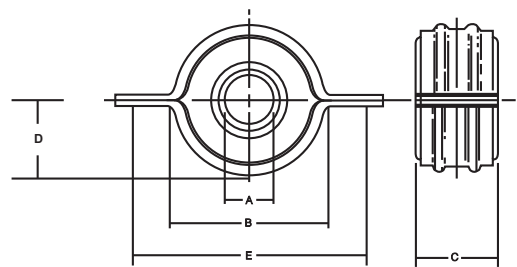
Type 5



Type 6

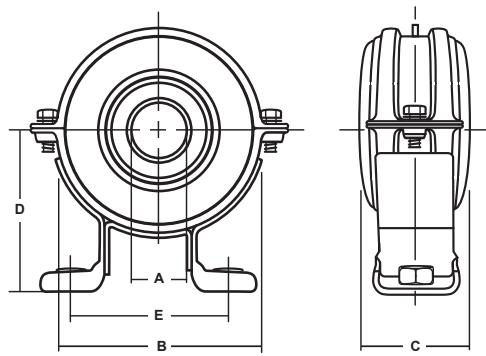


Type 7

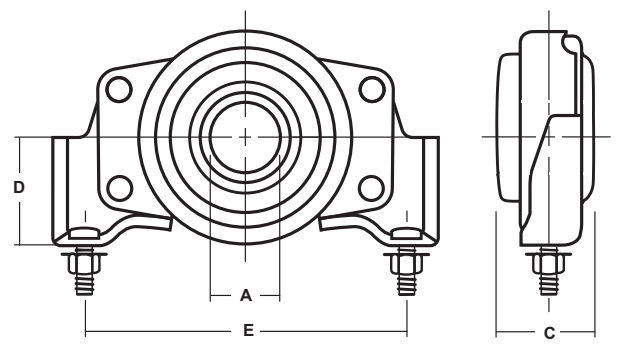


Type 8

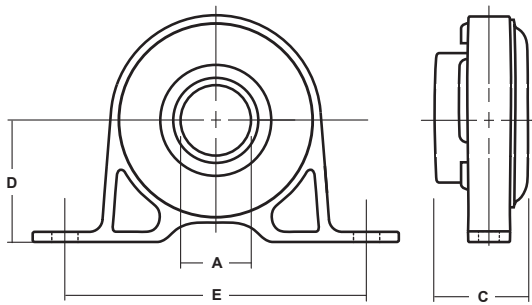
Drive shaft support bearings—Types



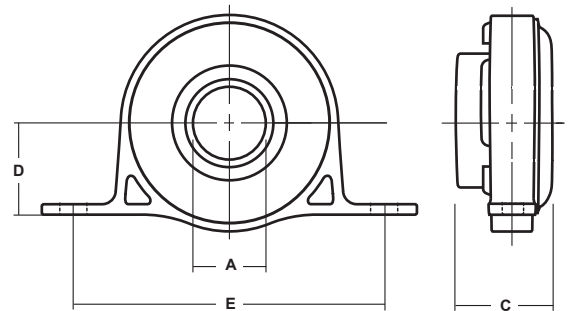
Type 9



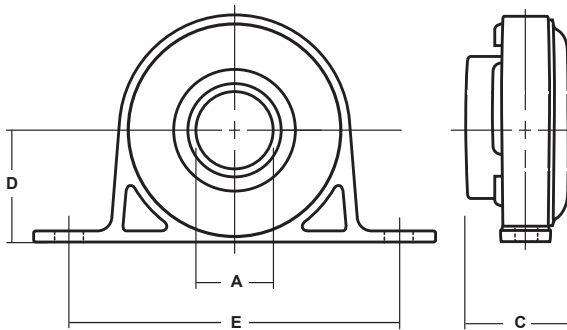
Type 10



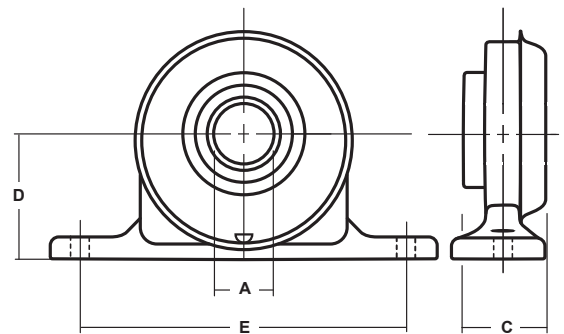
Type 11



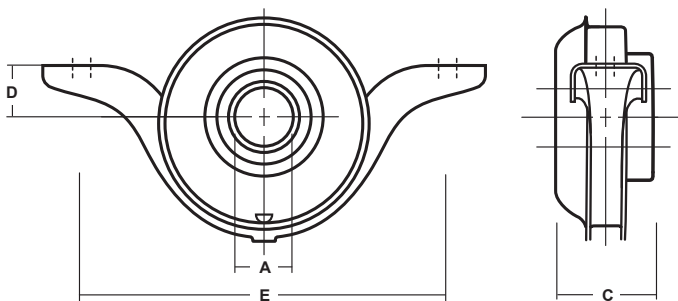
Type 12



Type 13



Type 14



Type 15

Drive shaft support bearings—Specifications

Support no.	I.D. A	O.D. B	Width C	Center line height D	Bolt hole center E	Type	Slinger (Small)	Qty.	Slinger (Large)	Qty.	Accessory	Qty.
HB20	0.984	2.144	1.604	N/A	N/A	3	-	-	-	-	-	-
HB21	0.984	1.614	1.575	N/A	N/A	3	-	-	-	-	-	-
HB106-FF	1.260	6.910	0.945	1.910	5.913	5	-	-	231696	1	-	-
HB108	1.575	2.940	1.238	N/A	N/A	3	-	-	-	-	-	-
HB206-FF	1.181	3.852	0.630	3.500	6.780	4	-	-	-	-	-	-
HB209-KF	1.181	4.731	1.270	1.910	5.907	5	-	-	231696	1	-	-
HB1280-10	1.181	4.724	2.441	N/A	N/A	2	-	-	-	-	-	-
HB1280-20	1.181	4.713	1.929	N/A	N/A	2	-	-	-	-	-	-
HB1280-30	1.181	4.316	2.135	N/A	N/A	2	-	-	-	-	-	-
HB1280-40	1.220	4.764	2.142	N/A	N/A	2	-	-	-	-	-	-
HB1280-50	1.181	4.724	2.441	N/A	N/A	2	-	-	-	-	-	-
HB1280-60	1.175	4.500	2.000	3.250	3.700	9	-	-	-	-	-	-
HB1280-70	1.125	4.500	1.950	4.250	3.700	9	-	-	-	-	-	-
HB1350-10	1.181	5.520	2.719	2.125	3.150	9	-	-	-	-	-	-
HB1380-10	1.181	4.567	2.336	0.250	5.602	8	-	-	-	-	-	-
HB1380-20	1.181	4.409	2.323	2.618	9.055	7	-	-	-	-	-	-
HB1380-30	1.220	4.267	2.336	0.250	5.945	8	-	-	-	-	-	-
HB1380-40	1.181	6.935	2.215	0.250	5.866	8	-	-	-	-	-	-
HB1380-50	1.181	6.875	2.150	0.250	5.910	8	-	-	-	-	-	-
HB1380-60	1.181	4.289	2.336	2.118	5.906	8	-	-	-	-	-	-
HB1380-70	1.181	6.875	2.150	0.250	5.900	8	-	-	-	-	-	-
HB1380-80	1.181	7.345	2.286	2.108	6.220	8	-	-	-	-	-	-
HB1400-10	1.181	4.645	1.940	2.677	7.047	7	-	-	-	-	-	-
HB1420-10	1.000	4.520	2.550	0.492	7.441	8	-	-	-	-	-	-
HB1500-40	1.181	4.210	2.330	2.091	6.450	8	-	-	-	-	-	-
HB1500-60	1.181	4.230	2.330	2.091	2.750	9	-	-	-	-	-	-
HB1550-10	1.181	5.625	2.250	3.230	3.750	9	-	-	-	-	-	-
HB1590-10	1.181	5.625	2.250	3.582	3.750	9	-	-	-	-	-	-
HB1600-10	1.181	9.342	2.465	2.500	8.875	7	-	-	-	-	-	-
HB1650-10	1.438	5.000	1.750	3.125	3.750	5	-	-	-	-	-	-
HB1680-10	1.181	4.634	2.047	2.323	7.572	8	-	-	-	-	-	-
HB1680-20	1.181	4.634	2.047	0.125	6.300	8	-	-	-	-	-	-
HB1700-10	1.181	3.901	1.986	1.969	6.299	7	-	-	-	-	-	-
HB1710-10	1.181	4.000	1.732	2.362	6.303	7	-	-	-	-	-	-
HB1720-10	1.181	4.000	1.732	2.362	6.303	13	-	-	-	-	-	-

(Continued)

Drive shaft support bearings—Specifications

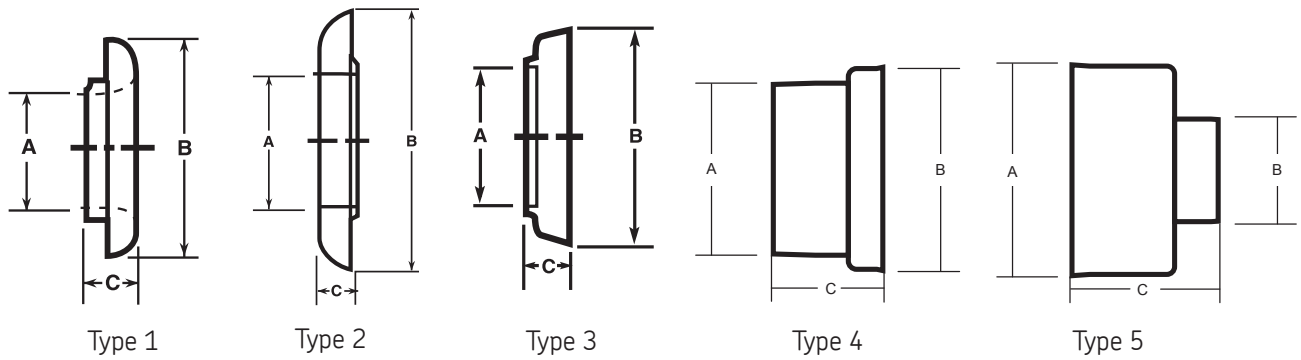
Support no.	I.D. A	O.D. B	Width C	Center line height D	Bolt hole center E	Type	Slinger (Small)	Qty.	Slinger (Large)	Qty.	Accessory	Qty.
HB1750-10	1.181	4.347	2.447	N/A	N/A	1	-	-	-	-	-	-
HB1820-10	1.182	4.201	2.412	1.952	6.934	7	-	-	-	-	-	-
HB1850-10	1.197	4.153	2.396	1.774	6.850	7	-	-	-	-	-	-
HB2020-10	1.181	4.297	2.344	0.375	5.803	8	-	-	-	-	-	-
HB2380-20	1.181	4.213	2.283	1.974	5.938	8	-	-	-	-	-	-
HB2380-40	1.181	4.286	2.309	2.118	5.774	7	-	-	-	-	-	-
HB2390-10	1.575	4.961	3.040	2.370	N/A	5	-	-	-	-	-	-
HB2390-30	1.772	5.275	2.868	2.560	6.088	5	-	-	-	-	-	-
HB2780-10	1.181	3.970	1.548	2.055	5.213	14	-	-	-	-	-	-
HB2780-20	1.181	3.820	2.145	2.500	5.500	14	-	-	-	-	-	-
HB2780-60	1.181	3.898	1.142	2.019	6.259	14	-	-	-	-	-	-
HB2780-80	1.380	4.000	1.750	1.848	6.630	14	-	-	-	-	-	-
HB2790-10	1.181	4.000	1.720	1.935	6.630	14	-	-	-	-	-	-
HB88107-A	1.378	4.087	0.984	2.250	6.625	5	-	-	-	-	R107	1
HB88107-B	1.378	4.087	0.984	2.250	6.625	5	230121	1	230118	1	-	-
HB88107-D	1.378	4.087	0.984	2.250	6.625	5	-	-	230141	1	-	-
HB88107-D									98-1473	2	-	-
HB88107-E	1.378	4.087	0.984	2.250	6.625	5	230104	1	230141	1	-	-
HB88107-E							98-1473	1			-	-
HB88505	1.575	4.819	1.850	2.416	6.616	5	-	-	-	-	-	-
HB88506	1.575	4.819	1.850	2.416	6.616	5	-	-	-	-	-	-
HB88508	1.575	5.066	1.063	2.166	6.625	5	-	-	-	-	-	-
HB88508-A	1.575	4.909	1.968	2.250	6.625	5	-	-	-	-	-	-
HB88508-AA	1.575	4.909	1.968	2.250	6.625	5	-	-	231004	2	-	-
HB88508-AB	1.575	4.909	1.968	2.244	6.625	5	231000	1	231004	1	-	-
HB88508-B	1.575	5.948	2.250	2.500	6.625	5	230209	1	230124	1	-	-
HB88508-C	1.575	5.948	2.250	2.500	6.625	5	230208	1	230207	1	-	-
HB88508-D	1.575	5.948	2.250	2.500	6.625	5	-	-	230207	2	-	-
HB88508-E	1.575	5.948	2.250	2.500	6.625	5	-	-	230124	2	-	-
HB88508-F	1.575	5.948	2.104	2.500	6.625	5	-	-	231005	1	-	-
HB88508-G	1.575	5.948	2.104	2.500	6.625	5	230215	1	231005	1	-	-
HB88509	1.772	6.717	2.300	2.690	7.625	5	-	-	-	-	-	-
HB88509-A	1.772	6.717	2.300	2.690	7.625	5	-	-	230151	2	-	-
HB88509-B	1.772	6.717	2.300	2.690	7.625	5	-	-	-	-	-	-
HB88509-C	1.772	6.717	2.300	2.690	7.625	5	230363	1	230151	1	-	-

(Continued)

Drive shaft support bearings—Specifications

Support no.	I.D. A	O.D. B	Width C	Center line height D	Bolt hole center E	Type	Slinger (Small)	Qty.	Slinger (Large)	Qty.	Accessory	Qty.
HB88510	1.969	7.138	2.331	2.780	7.625	5	-		230166	2	-	-
HB88510-S	1.969	7.138	2.331	2.780	7.625	5	-		230166	2	-	-
HB88512-A	2.362	8.590	2.673	3.375	8.625	5	-		230746	2	-	-
HB88512-AS	2.362	8.590	2.673	3.375	8.625	5	-		230746	2	-	-
HB88513	2.756	8.101	2.673	3.375	8.625	5	-		-	-	-	-
HB88514	1.575	4.687	1.850	2.344	6.616	5	230211	1	231005	1	-	-
HB88515	1.575	4.687	1.850	2.579	6.616	6	230211	1	231005	1	-	-
HB88517	1.181	4.337	2.518	1.869	6.762	14	230000	1	-	-	-	-
HB88518	1.575	4.808	1.850	2.765	6.685	5	231000	1	231286	1	-	-
HB88520	1.575	4.430	2.134	2.113	6.664	10	-	-	-	-	R108	1
HB88523	1.575	4.980	1.890	2.307	6.896	5	-	-	231286	1	-	-
HB88525	1.575	4.980	1.890	2.307	6.896	11	-	-	232817	1	-	-
HB88526	1.575	4.980	1.890	2.250	6.625	5	231000	1	231005	1	-	-
HB88527	1.575	4.980	2.163	1.787	6.896	12	-	-	-	-	-	-
HB88528	1.378	4.980	1.941	2.279	6.683	5	231256	1	231005	1	-	-
HB88529	1.575	4.980	2.163	1.445	6.896	12	231000	1	-	-	-	-
HB88530	1.378	5.000	1.900	2.239	6.616	5	-	-	-	-	-	-
HB88532	1.378	4.299	1.889	2.239	6.614	10	-	-	-	-	R108	1
HB88536	1.575	5.000	1.413	2.239	6.616	5	-	-	-	-	-	-
HB88540	1.575	7.756	1.850	2.244	6.622	6	-	-	-	-	-	-
HB88547	1.575	4.864	3.100	2.556	6.748	14	-	-	231002	1	-	-
HB88549	1.575	4.980	2.163	1.678	6.896	12	-	-	232817	1	-	-
HB88550	1.575	4.980	2.163	2.556	6.896	13	231000	1	-	-	-	-
HB88551	1.575	4.980	1.890	2.307	6.896	11	231000	1	-	-	-	-
HB88552	1.575	4.980	2.163	2.556	6.896	11	-	-	232817	1	-	-
HB88553	1.575	4.980	2.163	2.611	6.896	11	-	-	232817	1	-	-
HB88555	1.181	4.980	2.163	1.061	7.480	15	-	-	-	-	-	-
HB88555-UJ	1.181	4.980	2.163	1.061	7.480	15	-	-	-	-	1-0439	1

Drive shaft support bearings—Slinger specifications

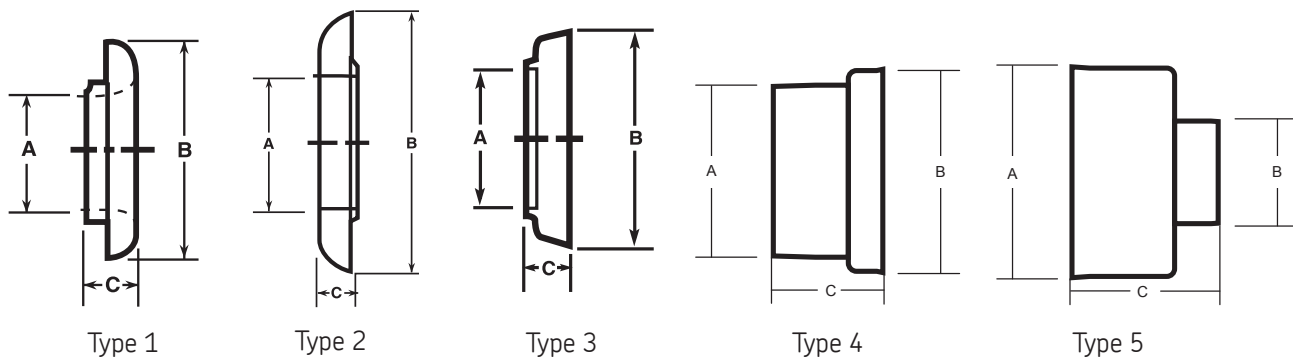


Slinger no.	Bearing used with	A Bore	B O.D.	C Width	Type
230000	HB88517	1.1174	1.9470	0.4870	1
230104	HB88107-E	1.3740	2.5620	0.7500	1
230118	HB88107-B	2.0570	4.0000	0.5620	2
230121	HB88107-B	1.3740	2.4370	0.6250	1
230124	HB88508-B HB88508-E	2.3060	4.3750	0.5620	2
230141	HB88107-D HB88107-E	1.7570	4.0000	0.8280	2
230151	HB88509-A HB88509-C	2.5560	4.5620	0.5620	2
230166	HB88510 HB88510-S	2.8070	4.8120	0.5620	2
230207	HB88508-C HB88508-D	2.5250	4.3750	0.8750	2
230208	HB88508-C	1.5690	2.8750	0.9380	1
230209	HB88508-B	1.5690	2.6250	0.5940	1
230211	HB88514 HB88515	1.3750	2.3950	0.6090	1
230214	HB88506	1.5750	2.9130	1.6000	1
230215	HB88508-G	1.5700	2.2200	0.7050	1
230363	HB88509-C	1.7650	2.8750	0.5940	1
230746	HB88512-A HB88512-AS	3.3120	5.5620	0.5780	2

(Continued)

Note: Slingers available only with drive shaft support bearing, not sold separately.

Drive shaft support bearings—Slinger specifications



Slinger no.	Bearing used with	A Bore	B O.D.	C Width	Type
231000	HB88508-AB HB88526 HB88529 HJB88550 HB88551	1.5690	2.4370	0.6410	1
231002	HB88547	1.5690	2.1925	1.2210	4
231004	HB88508-AA HB88508-AB	2.1490	4.0000	0.5620	2
231005	HB88508-F HB88508-G HB88515 HB88523 HB88526 HB88528	2.0530	3.7010	0.3070	1
231256	HB88528	1.3750	2.1200	0.4700	6
231286	HB88518 HB88523	2.0550	3.7000	0.2990	3
231696	HB106-FF HB209-KF	1.6930	3.0100	0.4724	1
232817	HB88525 HB88549 HB88552 HB88553	1.5690	2.3305	1.5925	5
98-1473	HB88107-D HB88107-E	1.7470	2.5000	0.5000	3
R107	HB88107-A	1.3730	1.6300	0.3120	Ring
R108	HB88520 HB88532	1.3730	1.6300	0.3120	Ring

Note: Slings are available only with drive shaft support bearing, not sold separately.

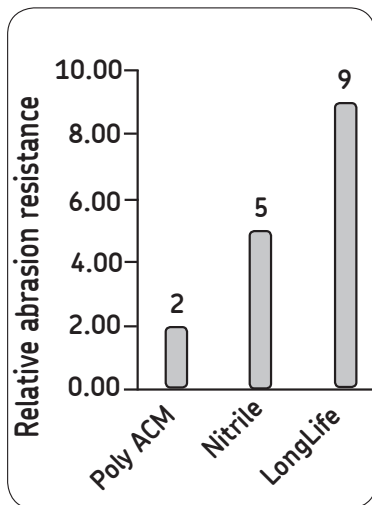
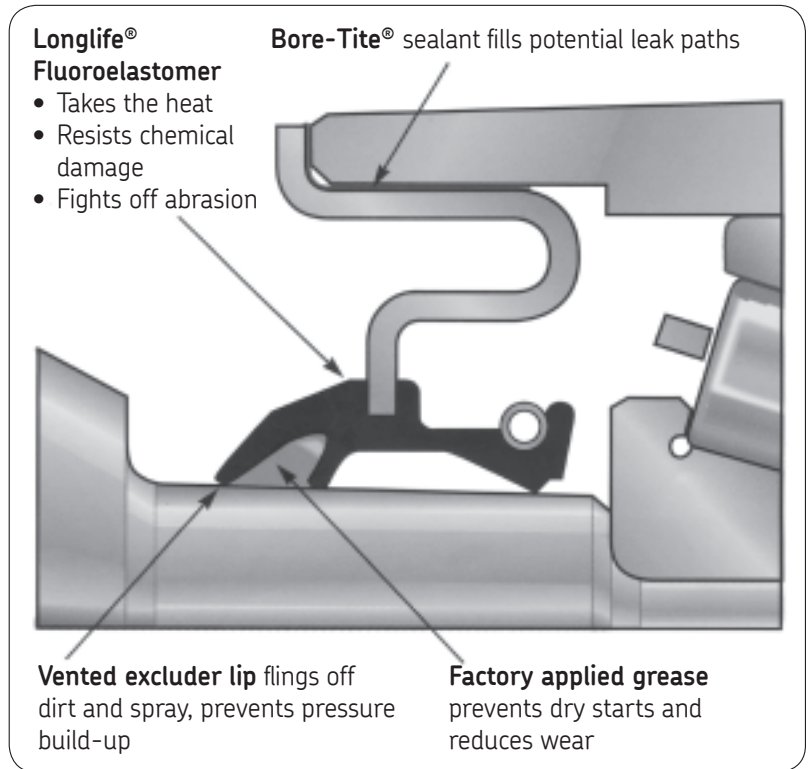
SKF DL pinion seals—Information

SKF DL pinion seals are made from a proven fluoroelastomer that's been enhanced for improved sealing performance. It produces a seal that can outlast anything on the market today.

New DL design has a rugged excluder lip to add a double layer of protection against external contamination. It's specifically designed to fling off water and salt spray and to block road dirt and dust.

It's also double vented to prevent pressure build-up that can cause the primary sealing lip to run hot.

A cool running seal will run a lot longer.



Excellent abrasion resistance of LongLife gives you added performance in tough environments and lower cost-per-mile overall.

The radial dirt lip provides a second barrier against dirt and contamination. It's highly effective, while applying only a light pressure on the shaft to help avoid excessive heat build-up.

The primary sealing lip is designed to match the application. In most cases, it will be the patented SKF Waveseal® birotational design with its demonstrated ability to dissipate heat and reduce wear.

But, where uni-directional lips are specified, special clock-wise or counter-clock-wise helixes have been molded into the lips for superior oil retention.

Bore-Tite® sealant on the O.D. of each seal eliminates oil leaks caused by scratches or minor imperfections in the bore.

A factory applied grease pack ensures that the seals won't run dry on start-up where excessive wear can occur. It also provides an added insulator against outside contamination.

The full line consists of twenty-one part numbers and covers every major differential design.

On the next two pages you will find popular applications and interchanges.

SKF DL pinion seals—Interchanges

SKF DL#	Mack	Ford	GMC	Navistar	NOK/ Eaton	Arvin Meritor/ Rockwell	Dana
23751				169114C1 454706C1			029HH100
24964		E4HZ4478A	15512458	596602C91	UZ0206E0	A1205G2425 A1205X1896	
25005				1691144C2			401HH103
25106		E5HZ4676B	15533564		UZ0263E0	A1205D1925 A1205D1928	
26239			15510919 15511060 15665326 2236257 2472290 2496560		119431 127720		
26378		E3HZ4676A			79470 119427 127721		
27461	88AX360P4		2100863		UZ0261E0	A1205J1934	
27542	88AX457						
27558	88AX456		15526366 2309480		UZ0266E0	A1205A1925	
29188		C1TT4573A	2372377 2372702	179447R91 301569C91	UA0504E0	A1205L714 A1205Y727	47331
29192			2121632 15511066 15511129		119429 127719	A1205U1737	49452 119429 12719
29961			15535300	1651280C91	UZ0264E0	A1205C1927	472HH101
29967				1691145C1			401HH104
30007			2327401 15512274	1651279C91	UH0389E0 UZ0208E0	A1205F2424 A1205W1895	472HH100 GGAHH102
30057		E4HZ4676B	15586545	573712C91	UZ0255E0	A1205Q1915	
30100			15586833	597147C1 1691141C2	UH0327F0		GGAHH109 MJAHH109
30140				1691143C1 1691143C2 1651281C91			401HH102 GGAHH102
30153		E4HZ4676A	15512423 15583894	573269C1	UZ0207E0 UZ0207F0	A1205H2426 A1205Y1897	
32410		E5HZ4573A	15526367		UZ0265E0	A1205B1926 A1205J2428	
34882	88AX458						
37410				1668500C1			201-463-8

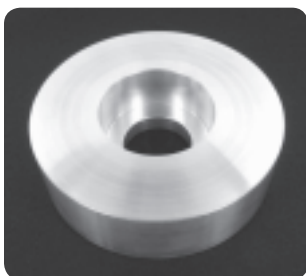
SKF DL pinion seals—Popular applications

SKF STD#	SKF DL#	SPEEDI-SLEEVE	SPEEDI-SLEEVE Gold	Application
23860	23751	99237	99839	Dana, Navistar
24949	24964	99250	99840	Arvin Meritor/Rockwell, Ford, GMC, Navistar
*****	25005	99250	99840	Dana, Navistar
25100/ 25102	25106	99250	99840	Arvin Meritor/Rockwell, Ford
26209/ 26220	26239	99262	99842	Eaton
26373	26378	99262	99842	Eaton
27452/ 27470/ 27471/ 27501	27461	99274	99843	Arvin Meritor/Rockwell
27565	27542	99274	99843	Mack
27295	27558	99274	99843	Arvin Meritor/Rockwell
29273	29188	99293	99847	Arvin Meritor/Rockwell
29316/ 29317/ 29322	29192	99293	99847	Eaton
29925	29961	99300	99848	Dana, Arvin Meritor/Rockwell, GMC
*****	29967	99300	99848	Dana, Navistar
29865/ 29867	30007	99300	99848	Dana, Arvin Meritor/Rockwell, Ford, GMC, Navistar
30055	30057	99300	99848	Arvin Meritor/Rockwell, Ford, GMC, Navistar
30098	30100	99300	99848	Dana, Navistar
30145	30153	99300	99848	Arvin Meritor/Rockwell, GMC
30148	30140	99300	99848	Dana, Navistar
32385/ 32397	32410	99325	99851	Arvin Meritor/Rockwell, Ford, GMC
34891	34882	99350	99852	Mack
*****	37410	99372	99853	Dana, Mack

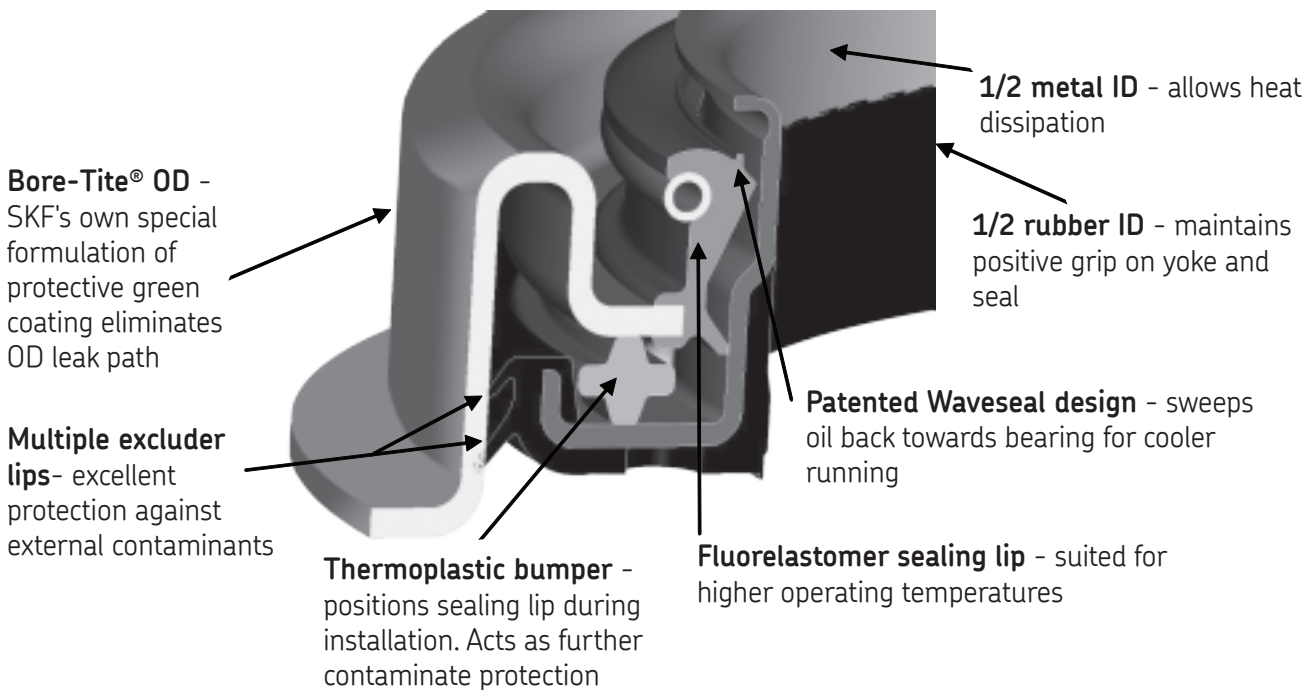
Unitized pinion seals—Interchanges and specifications

SKF unitized	Axles	Position	Interchanges				SKF DL	SKF grease	Bore	Yoke shaft
			Arvin Meritor No.	National no.	Stemco no.					
32500	14X/16X/18X/38X	F-R UI (FUI)* A11205X2728	A1205R2592	100494	429-0007	32385	32397	4.249	3.250	
30008	14X/16X	F-R UO (FUO)* A11205Y2729	A1205P2590	100495	429-0005	30007	29867	3.751	3.000	
30009	14X	R-R UI (RUI)* A11205Z2730	A1205N2588	100263	429-0010	30153	30145	4.936	3.000	
32503	16X/18X	R-R UI (RUI)* A11205A2731	A1205Q2591	100557	429-0011	33254		5.501	3.250	

* F-R UI - Forward-Rear Unit Input (FUI) F-R UO - Forward-Rear Unit Output (FUO) R-R UI - Rear-Rear Unit Input (RUI)



PT6000 tool installs all SKF unitized pinion seals



Quick reference application guide

New SKF kit	Description	Application summary	New SKF kit	Description	Application summary
Differential			Differential—cont.		
SDK1	H.D. Diff	Dana/Eaton Differential	SDK217-F	H.D. Diff	Rockwell/Meritor Differential
SDK1-A	H.D. Diff	Dana/Eaton Differential	SDK217-R	H.D. Diff	Rockwell/Meritor Differential
SDK9-RC	H.D. Diff	Rockwell/Meritor Differential	SDK218	H.D. Diff	Rockwell/Meritor Differential
SDK11-R	H.D. Diff	Rockwell/Meritor Differential	SDK219-R	H.D. Diff	Dana/Eaton Differential
SDK18-E	H.D. Diff	Dana/Eaton Differential	SDK221	H.D. Diff	Dana/Eaton Differential
SDK23-D	H.D. Diff	Dana/Eaton Differential	SDK222-F	H.D. Diff	Dana/Eaton Differential
SDK24	H.D. Diff	Dana/Eaton Differential	SDK222-R	H.D. Diff	Dana/Eaton Differential
SDK50	H.D. Diff	Rockwell/Meritor Differential	SDK223-F	H.D. Diff	Mack Differential
SDK64-FD	H.D. Diff	Dana/Eaton Differential	SDK223-R	H.D. Diff	Mack Differential
SDK64-FE	H.D. Diff	Dana/Eaton Differential	SDK300	L.D. Diff	Chrysler 8.75" Differential w/ 1.75" Pinion Shaft
SDK72	H.D. Diff	Dana/Eaton Differential	SDK301	L.D. Diff	Chrysler 8.75" Differential w/ 1.875" Pinion Shaft
SDK72-A	H.D. Diff	Dana/Eaton Differential	SDK302	L.D. Diff	Chrysler 7.25" Differential
SDK170	H.D. Diff	GMC Differential	SDK303	L.D. Diff	Chrysler 8.25 & 8.375" Differential
SDK172-F	H.D. Diff	Rockwell/Meritor Differential	SDK303-MK	L.D. Diff	Chrysler 8.25 & 8.375" Differential
SDK172-FA	H.D. Diff	Rockwell/Meritor Differential	SDK303-B	L.D. Diff	Chrysler 8.25" Differential
SDK172-FB	H.D. Diff	Rockwell/Meritor Differential	SDK303-BMK	L.D. Diff	Chrysler 8.25" Differential
SDK172-R	H.D. Diff	Rockwell/Meritor Differential	SDK304	L.D. Diff	Chrysler 9.25" Differential
SDK187-R	H.D. Diff	Rockwell/Meritor Differential	SDK304-MK	L.D. Diff	Chrysler 9.25" Differential
SDK192-FA	H.D. Diff	IHC/Navistar Differential	SDK304-A	L.H. Diff	Chrysler 9.25" Differential
SDK192-FB	H.D. Diff	IHC/Navistar Differential	SDK304-AMK	L.H. Diff	Chrysler 9.25" Differential
SDK192-RB	H.D. Diff	IHC/Navistar Differential	SDK307	L.D. Diff	Dodge Sprinter (06-03)
SDK194-F	H.D. Diff	Rockwell/Meritor Differential	SDK307-MK	L.D. Diff	Dodge Sprinter (06-03)
SDK194-RA	H.D. Diff	Rockwell/Meritor Differential	SDK307-A	L.D. Diff	Dodge Sprinter (12-07)
SDK194-RB	H.D. Diff	Rockwell/Meritor Differential	SDK307-AMK	L.D. Diff	Dodge Sprinter (12-07)
SDK196	H.D. Diff	Dana/Eaton Differential	SDK310	L.D. Diff	Ford 8" Differential
SDK200-F	H.D. Diff	IHC/Navistar Differential	SDK310-MK	L.D. Diff	Ford 8" Differential
SDK200-FA	H.D. Diff	IHC/Navistar Differential	SDK311	L.D. Diff	Ford 8.8" Differential
SDK201-F	H.D. Diff	IHC/Navistar Differential	SDK311-MK	L.D. Diff	Ford 8.8" Differential
SDK201-FA	H.D. Diff	IHC/Navistar Differential	SDK311-D	L.D. Diff	Ford Trk. 8.8" IRS Differential (10-08)
SDK201-R	H.D. Diff	IHC/Navistar Differential	SDK311-DMK	L.D. Diff	Ford Trk. 8.8" IRS Differential (10-08)
SDK202	H.D. Diff	IHC/Navistar Differential	SDK311-E	L.D. Diff	Ford 8.8" Mustang Differential (10-05)
SDK203-F	H.D. Diff	Rockwell/Meritor Differential	SDK311-EMK	L.D. Diff	Ford 8.8" Mustang Differential (10-05)
SDK205	H.D. Diff	Mack Differential	SDK311-G	L.D. Diff	Ford Trk. 8.8" Differential (10-07)
SDK206	H.D. Diff	Mack Differential	SDK311-GMK	L.D. Diff	Ford Trk. 8.8" Differential (10-07)
SDK207	H.D. Diff	Dana/Eaton Differential	SDK311-J	L.D. Diff	AMC 20 Differential
SDK208	H.D. Diff	Dana/Eaton Differential	SDK312	L.D. Diff	Ford 9" Differential (70-57)
SDK210	H.D. Diff	Dana/Eaton Differential	SDK312-MK	L.D. Diff	Ford 9" Differential (70-57)
SDK211-F	H.D. Diff	Dana/Eaton Differential	SDK313	L.D. Diff	Ford 9" Differential (86-70)
SDK214	H.D. Diff	Dana/Eaton Differential			
SDK216	H.D. Diff	Rockwell/Meritor Differential			

L.D.=Light Duty

H.D.=Heavy Duty

T.C.=Transfer Case

Diff=Differential

Trans=Transmission

Quick reference application guide

New SKF kit	Description	Application summary
Differential—cont.		
SDK313-MK	L.D. Diff	Ford 9" Differential (86-70)
SDK314	L.D. Diff	Ford 10.25" Differential
SDK314-MK	L.D. Diff	Ford 10.25" Differential
SDK315	L.D. Diff	Ford 7.5" Differential
SDK315-MK	L.D. Diff	Ford 7.5" Differential
SDK316-A	L.D. Diff	Ford 9.75" Differential (06-99)
SDK316-AMK	L.D. Diff	Ford 9.75" Differential (06-99)
SDK316-B	L.D. Diff	Ford 9.75" Differential (10-07)
SDK316-BMK	L.D. Diff	Ford 9.75" Differential (10-07)
SDK317	L.D. Diff	Ford 10.5" Differential (07-99)
SDK317-MK	L.D. Diff	Ford 10.5" Differential (07-99)
SDK317-A	L.D. Diff	Ford 10.5" Differential (10-07)
SDK317-AMK	L.D. Diff	Ford 10.5" Differential (10-07)
SDK320	L.D. Diff	GM 7.5/7.6" Differential
SDK320-MK	L.D. Diff	GM 7.5/7.6" Differential
SDK320-A	L.D. Diff	GM 7.25" Differential
SDK320-AMK	L.D. Diff	GM 7.25" Differential
SDK320-C	L.D. Diff	GM 7.5/7.6" Differential
SDK320-CMK	L.D. Diff	GM 7.5/7.6" Differential
SDK320-D	L.D. Diff	GM 8" Differential
SDK320-DMK	L.D. Diff	GM 8" Differential
SDK321	L.D. Diff	GM 8.5/8.6" Differential (98-Older)
SDK321-MK	L.D. Diff	GM 8.5/8.6" Differential (98-Older)
SDK321-A	L.D. Diff	GM 8.25" Differential
SDK321-AMK	L.D. Diff	GM 8.25" Differential
SDK321-C	L.D. Diff	GM 8.5/8.6" Differential (06-99)
SDK321-CMK	L.D. Diff	GM 8.5/8.6" Differential (06-99)
SDK321-J	L.D. Diff	GM 8.25" Differential
SDK321-JMK	L.D. Diff	GM 8.25" Differential
SDK321-K	L.D. Diff	GM 8.5/8.6" Differential (08-07)
SDK321-KMK	L.D. Diff	GM 8.5/8.6" Differential (08-07)
SDK321-Q	L.D. Diff	GM 8.5/8.6" Differential (11-09)
SDK321-QMK	L.D. Diff	GM 8.5/8.6" Differential (11-09)
SDK322	L.D. Diff	GM 8-7/8" Differential
SDK322-MK	L.D. Diff	GM 8-7/8" Differential
SDK323	L.D. Diff	GM 8.5" Differential Corvette (79-63)
SDK323-MK	L.D. Diff	GM 8.5" Differential Corvette (79-63)
SDK324	L.D. Diff	GM 9.5" Differential (97-81)
SDK324-MK	L.D. Diff	GM 9.5" Differential (97-81)
SDK324-A	L.D. Diff	GM 9.25" Differential

New SKF kit	Description	Application summary
Differential—cont.		
SDK324-B	L.D. Diff	GM 9.5" Differential (98-On)
SDK324-BMK	L.D. Diff	GM 9.5" Differential (98-On)
SDK325	L.D. Diff	GM 10.5" Differential (88-72)
SDK325-MK	L.D. Diff	GM 10.5" Differential (88-72)
SDK325-A	L.D. Diff	GM 10.5" Differential (97-88)
SDK325-AMK	L.D. Diff	GM 10.5" Differential (97-88)
SDK325-B	L.D. Diff	GM 10.5" Differential (98-On)
SDK325-BMK	L.D. Diff	GM 10.5" Differential (98-On)
SDK327	L.D. Diff	AAM 11.5" Differential
SDK327-MK	L.D. Diff	AAM 11.5" Differential
SDK331	L.D. Diff	Dana 60 Differential
SDK331-A	L.D. Diff	Dana 60 Differential
SDK331-AMK	L.D. Diff	Dana 60 Differential
SDK332	L.D. Diff	Dana 70 Differential
SDK332-A	L.D. Diff	Dana 70U Differential
SDK332-HD	L.D. Diff	Dana 70HD Differential
SDK333	L.D. Diff	Dana 28IFS Differential
SDK334	L.D. Diff	Dana 30AF, 30IFS Differential
SDK334-MK	L.D. Diff	Dana 30AF, 30IFS Differential
SDK334-TJ	L.D. Diff	Dana 30 Differential
SDK334-TJMK	L.D. Diff	Dana 30 Differential
SDK335	L.D. Diff	Dana 35IFS Differential
SDK335-MK	L.D. Diff	Dana 35IFS Differential
SDK335-C	L.D. Diff	Dana 35 Differential
SDK335-CMK	L.D. Diff	Dana 35 Differential
SDK336	L.D. Diff	Dana 50IFS Differential
SDK337	L.D. Diff	Dana 80 Differential
SDK337-MK	L.D. Diff	Dana 80 Differential
SDK339	L.D. Diff	Dana 44ICA Differential
SDK339-A	L.D. Diff	Dana 44ICA Differential
SDK339-AMK	L.D. Diff	Dana 44ICA Differential
SDK339-B	L.D. Diff	Dana 44HDF, 44IFS Differential
SDK339-BMK	L.D. Diff	Dana 44HDF, 44IFS Differential
SDK402	H.D. Diff	Dana/Eaton Differential
SDK404-F	H.D. Diff	Dana/Eaton Differential
SDK404-R	H.D. Diff	Dana/Eaton Differential
SDK900-F	H.D. Diff	Rockwell/Meritor Differential
SDK900-FA	H.D. Diff	Rockwell/Meritor Differential
SDK1910	H.D. Diff	Rockwell/Meritor Differential
SDK4360	H.D. Diff	Rockwell/Meritor Differential

L.D.=Light Duty

H.D.=Heavy Duty

T.C.=Transfer Case

Diff=Differential

Trans=Transmission

Quick reference application guide

New SKF kit	Description	Application summary
<u>Differential—cont.</u>		
SDK4390	H.D. Diff	Rockwell/Meritor Differential
SDK4395	H.D. Diff	Rockwell/Meritor Differential
SDK4396	H.D. Diff	Rockwell/Meritor Differential
SDK4405	H.D. Diff	Rockwell/Meritor Differential
SDK4406	H.D. Diff	Rockwell/Meritor Differential
SDK4422	H.D. Diff	Rockwell/Meritor Differential
SDK4423	H.D. Diff	Rockwell/Meritor Differential
SDK4426	H.D. Diff	Rockwell/Meritor Differential
SDK4428	H.D. Diff	Rockwell/Meritor Differential

Transfer Case

STCK205-D	L.D. T.C.	New Process Model 205 Dodge T.C.
STCK205-F	L.D. T.C.	New Process Model 205 Ford Direct Mounted T.C.
STCK205-FA	L.D. T.C.	New Process Model 205 Ford Remote Mounted T.C.
STCK205-G	L.D. T.C.	New Process Model 205 GM T.C.
STCK205-GDM4	L.D. T.C.	New Process Model 205 GM T.C.
STCK207	L.D. T.C.	New Process Model 207 T.C.
STCK208	L.D. T.C.	New Process Model 208 T.C.
STCK226	L.D. T.C.	New Process Model 126, 226 T.C.
STCK231	L.D. T.C.	New Process Model 231, 233 T.C.
STCK231-BB	L.D. T.C.	New Process Model 231, 233 T.C.
STCK231-CC	L.D. T.C.	New Process Model 231, 233 T.C.
STCK231-DD	L.D. T.C.	New Process Model 231, 233 T.C.
STCK231-EE	L.D. T.C.	New Process Model 231, 233 T.C.
STCK231-FF	L.D. T.C.	New Process Model 231, 233 T.C.
STCK241	L.D. T.C.	New Process Model 241, 243 T.C.
STCK241-BB	L.D. T.C.	New Process Model 241, 243 T.C.
STCK241-CC	L.D. T.C.	New Process Model 241, 243 T.C.
STCK241-DD	L.D. T.C.	New Process Model 241, 243 T.C.
STCK241-EE	L.D. T.C.	New Process Model 241, 243 T.C.
STCK241-FF	L.D. T.C.	New Process Model 241, 243 T.C.
STCK242	L.D. T.C.	New Process Model 242 Jeep (93-87) T.C.
STCK242-AA	L.D. T.C.	New Process Model 242 Hummer (08-92) T.C.
STCK242-BB	L.D. T.C.	New Process Model 242 Jeep (02-94) T.C.

New SKF kit	Description	Application summary
<u>Transfer Case—cont.</u>		
STCK242-CC	L.D. T.C.	New Process Model 242 Jeep Liberty (08-02) T.C.
STCK242-DD	L.D. T.C.	New Process Model 242 Dodge (99-98) T.C.
STCK242-EE	L.D. T.C.	New Process Model 242 Dodge (08-00) T.C.
STCK246	L.D. T.C.	New Process Model 246 T.C.
STCK247	L.D. T.C.	New Process Model 247 T.C.
STCK261	L.D. T.C.	New Process Model 261, 263 T.C.
STCK261-AA	L.D. T.C.	New Process Model 261HD, 263HD T.C.
STCK261-BB	L.D. T.C.	New Process Model 261SHD, 263SHD T.C.
STCK271	L.D. T.C.	New Process Model 271, 273 Ford T.C.
STCK271-AA	L.D. T.C.	New Process Model 271, 273 Dodge T.C.
STCK300	L.D. T.C.	Dana Model 1305, 1339 T.C.
STCK1345	L.D. T.C.	Borg Warner Model 1345 T.C.
STCK1354	L.D. T.C.	Borg Warner Model 1354 T.C.
STCK1356	L.D. T.C.	Borg Warner Model 1356, 1370, 4401, 4470 T.C.
STCK4405	L.D. T.C.	Borg Warner Model 4405 Ford (96-95) T.C.
STCK4405-AA	L.D. T.C.	Borg Warner Model 4405 Ford (01-97) T.C.
STCK4406	L.D. T.C.	Borg Warner Model 4406 T.C.
STCK4407	L.D. T.C.	Borg Warner Model 4407 T.C.
STCK4470	L.D. T.C.	Borg Warner Model 4470 T.C.

Transmission

STK3	H.D. Trans	Spicer/TTC 3/4 Speed Auxiliary Trans.
STKS6-650ZF	L.D. Trans	ZF 6 Speed Trans.
STK27	H.D. Trans	New Process 5 Speed Trans.
STK28	H.D. Trans	Spicer/TTC 5 Speed Trans.
STK29	H.D. Trans	New Process 5 Speed Trans.
STK29-B	H.D. Trans	New Process 5 Speed Trans.
STK50	L.D. Trans	Mitsubishi 5 Speed Trans.
STK58	H.D. Trans	Eaton/Fuller 5 Speed Trans.
STK70	H.D. Trans	Spicer/TTC 4 Speed Auxiliary Trans.
STK73	H.D. Trans	Spicer/TTC 4 Speed Auxiliary Trans.

L.D.=Light Duty

H.D.=Heavy Duty

T.C.=Transfer Case

Diff=Differential

Trans=Transmission

Quick reference application guide

New SKF kit	Description	Application summary
Transmission—cont.		
STK82	H.D. Trans	Borg Warner 4 Speed Trans.
STK82-F	LD/H.D. Trans	Borg Warner 4 Speed Trans.
STK86	H.D. Trans	Spicer/TTC 3 Speed Auxiliary Trans.
STK127	LD/H.D. Trans	New Process 4 Speed Trans.
STK127-G	LD/H.D. Trans	New Process 4 Speed Trans.
STK145-A	H.D. Trans	Eaton/Fuller 10 Speed Trans.
STK146	H.D. Trans	Eaton/Fuller 13 Speed Trans.
STK147	H.D. Trans	Eaton/Fuller 5/6 Speed Trans.
STK148	H.D. Trans	Clark 5 Speed Trans.
STK149	H.D. Trans	Eaton/Fuller 13 Speed Trans.
STK152	H.D. Trans	Spicer/TTC 10 Speed Trans.
STK155	H.D. Trans	Spicer/TTC 5 Speed Auxiliary Trans.
STK156	H.D. Trans	IHC/Navistar 5 Speed Trans.
STK157	LD/H.D. Trans	GMC 4 Speed Trans.
STK158	H.D. Trans	Spicer/TTC 4 Speed Auxiliary Trans.
STK159	H.D. Trans	Eaton/Fuller 10/15 Speed Trans.
STK159-A	H.D. Trans	Eaton/Fuller 10/15 Speed Trans.
STK167	H.D. Trans	Rockwell/Meritor 223 Transfer Case
STK180	H.D. Trans	Spicer/TTC 5 Speed Trans.
STK183	H.D. Trans	IHC/Navistar 5 Speed Trans.
STK187	H.D. Trans	Mack 6/10 Speed Trans.
STK190	H.D. Trans	Clark 5 Speed Trans.
STK192	H.D. Trans	Spicer/TTC 5/6 Speed Trans.
STK202	H.D. Trans	Eaton/Fuller 9/15 Speed Trans.
STK203	H.D. Trans	Eaton/Fuller 8/9/10/13/15 Speed Trans.
STK205	H.D. Trans	Eaton/Fuller 8/9/10 Speed Trans.
STK206	H.D. Trans	Eaton/Fuller 13 Speed Trans.
STK207	H.D. Trans	Eaton/Fuller 10/15 Speed Trans.
STK208	H.D. Trans	Eaton/Fuller 5 Speed Trans.
STK208-D	H.D. Trans	Eaton/Fuller 5 Speed Trans.
STK210	H.D. Trans	Spicer/TTC 5 Speed Trans.
STK213	H.D. Trans	Mack 12 Speed Trans.
STK235-B	L.D. Trans	New Venture 3500 5 Speed Trans.
STK247	L.D. Trans	Mazda/Toyo-Kogyo M5R1 5 Speed Trans.
STK248	L.D. Trans	Mazda/Toyo-Kogyo M5R2 5 Speed Trans.
STK300-ZF	L.D. Trans	ZF 5 Speed Trans.
STK390-F	H.D. Trans	Clark 5 Speed Trans.

New SKF kit	Description	Application summary
Transmission—cont.		
STK390-G	H.D. Trans	Clark 5 Speed Trans.
STK390-H	H.D. Trans	Clark 5 Speed Trans.
STK395-F	H.D. Trans	Clark 5 Speed Trans.
STK395-G	H.D. Trans	Clark 5 Speed Trans.
STK395-H	H.D. Trans	Clark 5 Speed Trans.
STK1000	H.D. Trans	Eaton/Fuller 5/6/7/8/9/10/13/15 Speed Trans.
STK2043	H.D. Trans	Eaton/Fuller 10/15 Speed Trans.
STK2924	H.D. Trans	Eaton/Fuller 10 Speed Trans.
STK3340	H.D. Trans	Eaton/Fuller 18 Speed Trans.
STK3343	H.D. Trans	Eaton/Fuller 13 Speed Trans.
STK4500-D	L.D. Trans	New Venture 4500 5 Speed Trans.
STK4500-GM	L.D. Trans	New Venture 4500 5 Speed Trans.

L.D.=Light Duty H.D.=Heavy Duty T.C.=Transfer Case Diff=Differential Trans=Transmission



WARNING!

Proper selection of the products listed for sale in this catalog is essential to minimize the risk of any seal, bearing or other product failure. Such failures can result in property damage or severe personal injury to operators of machinery, vehicles or to others. You must carefully evaluate the particular application on or into which you intend to install the products. Products in this catalog require installation by an experienced professional mechanic or qualified maintenance professional.

The product properties and operating parameters described in this catalog are based upon tests conducted by SKF or reported by others. SKF does not assume any responsibility for errors in the data published in this catalog. The life and performance of the products ultimately depend on a number of factors. These include, for example, selection of product design type, selection of materials for their different properties, handling and installation, operating conditions, including shaft surface or bore conditions, the quantity, quality and chemistry of lubricants and other factors. Severe environments can adversely affect product life or performance. For help in realizing longer SKF product life, and optimal performance for your specific application, contact SKF's Customer Services Department at 1-800-882-0008.

LIMITED WARRANTY

SKF warrants to the first purchaser that the products sold by it, when properly installed, will be free from defects in material and workmanship. SKF's sole obligation and liability for any defect found to exist contrary to this limited warranty in a product sold by SKF, and purchaser's sole and exclusive remedy for such defect, shall be limited to: (A) SKF furnishing without additional charge to purchaser, including transportation, a replacement for any of the products sold by SKF which are found by SKF to be defective contrary to this limited warranty, and (B) in the case of products which cannot be repaired or replaced by SKF, SKF shall credit or refund to purchaser the purchase price paid therefore; provided, that SKF is advised in writing of such product non-conformance within thirty (30) days of the date of discovery thereof, and that the non-conforming product is returned f.o.b. to SKF's designated warehouse promptly thereafter, but in any case not later than twelve (12) months from the date of purchase, and only for light duty hub units: the first to occur of either (i) thirty-six (36) months from the date of purchase, or (ii) 45,000 miles (72,000 kilometers). Valid proof of purchase date/mileage required. In no event shall SKF be obligated under this limited warranty or otherwise in any way whatsoever for normal wear and tear, or for any products sold by SKF which, after delivery by SKF and in SKF's sole determination, have been subjected to accident, abuse, misapplication, improper or faulty repair or installation, improper or faulty maintenance or lubrication, any alteration or neglect, excessive loading or other excessive operating conditions, or for defects caused by or resulting from purchaser's specifications or designs or otherwise caused by purchaser. **TO THE FURTHEST EXTENT PERMITTED UNDER APPLICABLE LAW, SKF DISCLAIMS LIABILITY, IN TORT OR CONTRACT, IN NEGLIGENCE, STRICT LIABILITY, OR OTHERWISE, FOR ANY OTHER REMEDY OR DAMAGE, WHETHER DIRECT OR INDIRECT, INCIDENTAL, SPECIAL, EXEMPLARY, OR CONSEQUENTIAL WITH RESPECT TO ITS PERFORMANCE HEREUNDER, INCLUDING WITHOUT LIMITATION THE PRODUCTS SOLD OR PROVIDED HEREUNDER BY SKF, AND ITS PROVISION OF ANY RELATED SERVICES. THIS LIMITED WARRANTY IS TO THE EXCLUSION OF ALL OTHER WARRANTIES, EXPRESS OR IMPLIED, INCLUDING WARRANTIES OF MERCHANTABILITY OR FITNESS FOR A PARTICULAR PURPOSE. COSTS INCURRED FOR ROUTINE MAINTENANCE ARE NOT COVERED BY THIS LIMITED WARRANTY.** Without limiting the generality of the foregoing, SKF specifically disclaims liability to purchaser for any loss, cost, or damage incurred as a result of equipment downtime, or loss of use or availability of worksite, lost revenues or lost profits, regardless of whether SKF is on notice of the possibility of such damage or loss and did or could have anticipated same. No other person has been authorized by SKF to undertake or make on behalf of SKF any further representation, warranty or guarantee in addition to or contrary to this limited warranty or contrary to the limitations and disclaimers provided herein. The exclusive remedies provided in this limited warranty shall not be deemed to have failed of their essential purpose so long as SKF is willing and able to perform to the extent and in the manner prescribed in this limited warranty.

SOME STATES OR PROVINCES DO NOT ALLOW THE EXCLUSION OR LIMITATION OF INCIDENTAL OR CONSEQUENTIAL DAMAGES OR CERTAIN LIMITATIONS REGARDING WARRANTY RIGHTS, SO THE ABOVE EXCLUSIONS OR LIMITATIONS MAY NOT APPLY TO YOU. This limited warranty gives you specific legal rights, and you may also have other rights, which vary by state or province.

INFORMATION AND RETURNS: This catalog refers to products as designed prior to its publication, and does not cover product changes made after its publication date. Inquiries can be directed to: SKF Customer Service Department, 890 North State Street, Suite 200, Elgin, IL 60123, or call 1-800-882-0008. Any error in shipment (for over-shipments in the quantity of product or for product not matching purchaser's description given in its order) is returnable for credit or replacement by SKF, provided that SKF is advised in writing by purchaser of such non-conformance within 30 days after the product's delivery to purchaser, and only after written authorization therefore is given by SKF. Approved returns must be shipped freight prepaid and arrive in good, saleable condition to qualify for credit or replacement. SKF shall not otherwise be obligated to accept the return of any products sold or distributed by it.

NOTICE: The SKF part numbering systems for the SKF products are proprietary to SKF. Any improper or unauthorized use of these numbering systems, including adoption or use of any of their part numbers or part number lists, even where the subject of modification or addition, is strictly prohibited and will be prosecuted by SKF as a violation of U.S. and foreign copyright, trademark and unfair competition laws. In addition, use of any SKF trademarks, trade names or packaging schemes, systems, colors or designs is likewise considered a violation of the trademarks, trade names and trade identities rights of SKF USA Inc. and their affiliates. Possible violation of such use should be brought to the attention of SKF: SKF USA Inc., 890 North State Street, Suite 200, Elgin, Illinois 60123, Attn: Catalog Manager.

Premium products. Extensive coverage.

SKF now offers a complete line of differential, transfer case and transmission kits for automotive, light duty and commercial vehicle applications. Providing extensive coverage for the most popular applications, each kit contains high quality bearings, seals and gaskets (where applicable) that meet or exceed original equipment specifications.

The Power of Knowledge Engineering

SKF is your source for a wide range of products covering various industries. From automotive to heavy duty to industrial applications, SKF offers a solution to keep your machines operating and your business profitable.



To receive updates and news from SKF, please email: vsm.updates@skf.com

For catalog related questions, please email: vsm.catalogs@skf.com

SKF VSM NA
890 N. State Street
Suite 200
Elgin, IL 60123
800-882-0008
skfpartsinfo@skf.com



Mobile parts look up

Access our mobile parts look up website for all the latest part numbers at www.skfpartsinfo.com



SKF Parts Info Apps

Download SKF apps for access to product information, cross reference, instruction sheets, application data and brochures.

www.vsm.skf.com

Download literature, access technical tips and view product information



View detailed technical and product videos at www.skfpartsinfo.tv



Follow us on Twitter [@skfpartsinfo](https://twitter.com/skfpartsinfo) to stay on top of all the latest technical and product information.

® SKF is a registered trademark of the SKF Group.

© SKF Group 2013

The contents of this publication are the copyright of the publisher and may not be reproduced (even extracts) unless permission is granted. Every care has been taken to ensure the accuracy of the information contained in this publication but no liability can be accepted for any loss or damage whether direct, indirect or consequential arising out of the use of the information contained herein.

Printed in U.S.A.

Certain image(s) used under license from Shutterstock.com